

# CMC 300-F0x

Cabinet Mount Fanless PC  
with Intel® Xeon® E-2278GEL and 8/9th Gen Intel® Core™ i7/i5/i3 Processors



## Main Features

- Fanless system design with slim type
- Intel® Xeon® E-2278GEL and 8th & 9th Gen Intel® Core™ i7/i5/i3 LGA socket type processors
- 2 x Gigabit Ethernet
- 2 x USB 2.0, 2 x USB 3.0, 1 x COM RS232/422/485
- IP65 protection on the outside heatsink
- 1 x DVI-D display output
- 2 x DDR4 up to 64GB
- 1 x mini-PCIe for storage device
- 2 x Easy-access 2.5" SSD trays
- Support power input 24 VDC

## Product Overview

The CMC 300-F0x Industrial Fanless PC series has been designed with the purpose of being installed in the plate of the control cabinet or in the rear plate of a control cabinet. This Fanless PC cut-in to a suitable cut-out in the control cabinet and its heatsink is at outside the cabinet with IP65 protection. The CMC 300-F0x is up to high performance Intel Xeon grade CPU with two external 2.5" HDD trays. This product meets easy maintenance condition in the industrial such as wind power, charging station.

## Specifications

### CPU Support

- Support Intel® Xeon® E-2278GEL
- Support 8th & 9th generation Intel® Core™ i7/i5/i3 LGA socket type:
  - Intel® Core™ i3-8100T, i5-8500T, i7-8700T
  - Intel® Core™ i3-9100TE, i5-9500TE, i7-9700TE
- Support up to 35W CPU

### PCH

- Intel® C246 PCH

### Main Memory

- 2 x DDR4 2400/2666 SO-DIMM sockets, support up to 64GB with non-ECC and un-buffered
- Support ECC with Intel® Xeon® processor

### I/O Interface Status LEDs

- Power
- SATA (SSD)

### I/O Interface

- DC power input connector: 3-pin Phoenix Contact terminal blocks
- COM: 1 x RS232/422/485
- Display: 1 x DVI-D port
- Ethernet: 2 x RJ45
  - LAN: 1 x Intel® I219-LM PHY LAN and 1 x Intel® I210-HT Gigabit LAN
  - Ethernet interface: 10/100/1000 Mbps
  - Support wake up on LAN

- 2 x USB 2.0 ports
- 2 x USB 3.0 ports
- 2-pin remote power on/off
- 1 x Easy-access RTC battery socket

### Storage Device

- 2 x Easy-access 2.5" SSD trays
- 1 x mini-PCIe slot for storage

### Power Requirements

- DC power input:
  - Input voltage: 18VDC -5% to 24VDC +10%, 7.5A
  - Reverse polarity protection

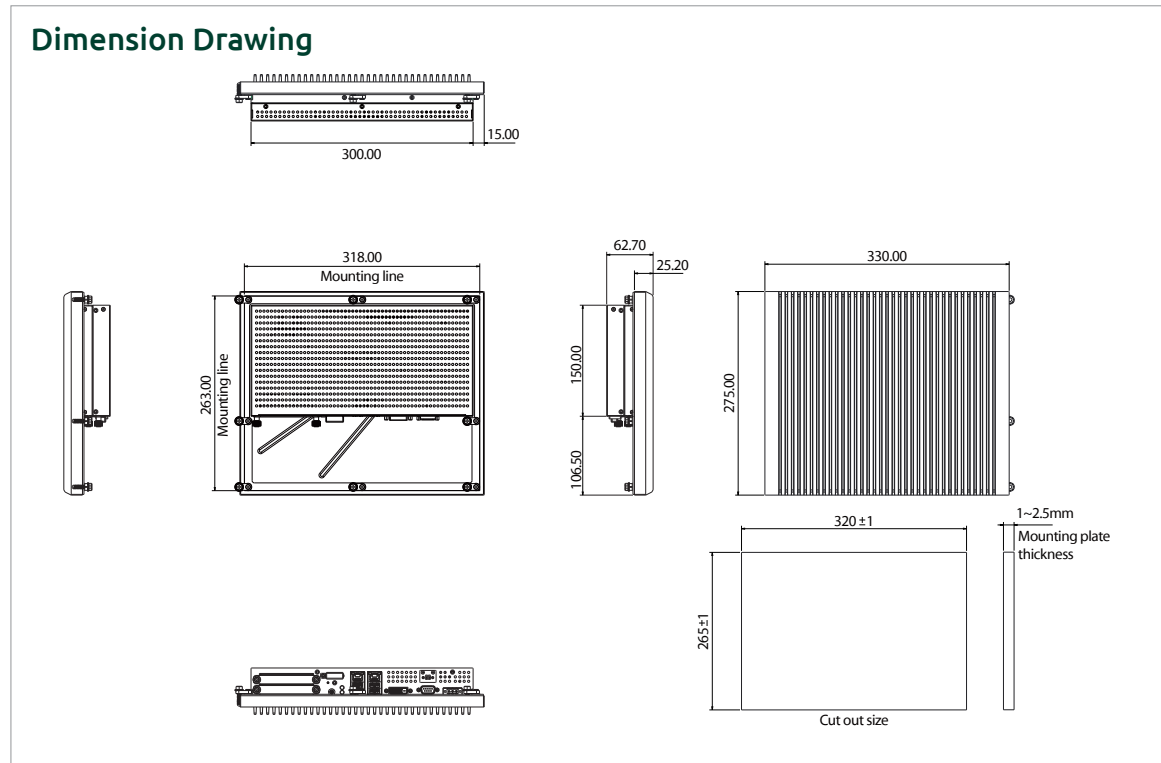
### Environment

- Operating temperature:
  - 0°C to 55°C with natural convection
  - 0°C to 60°C with mild forced airflow
- Operating humidity support 10%~90% relative humidity, non-condensing
- Vibration protection w/ HDD condition:
  - Random: 0.5Grms @ 5~500 Hz, IEC60068-2-64
  - Sinusoidal: 0.5Grms @ 5~500 Hz, IEC60068-2-64

### Dimensions

- Dimension: 330mm x 275mm x 62.7mm
- Weight: 5.7 KG

www.nexaiot.com



#### Construction

- Aluminum extrusion heat sink and iron nickel plating housing
- Back cover with reserved RAID card heatsink hole
- IP65 protection for the outside heatsink

#### Certifications

- CE (EN61000-6-2/EN61000-6-4)
- FCC Class A

#### OS Support List

- Windows 10 64-bit

### Ordering Information

#### Barebone

- **CMC 300-F03 (P/N: 10CM0030004X0)**  
Cabinet mount controller fanless PC with Intel® Core™ i5-9500TE 2.2GHz

#### Options

- **DDR4 DRAM 16GB (P/N: 72BGM16G07H00)**
- **DDR4 DRAM 32GB (P/N: 72BGM32G02H00)**

## Assured Systems

Assured Systems is a leading technology company with over 1,500 regular clients in 80 countries, deploying over 85,000 systems to a diverse customer base in 12 years of business. We offer high-quality and innovative rugged computing, display, networking and data collection solutions to the embedded, industrial, and digital-out-of-home market sectors.

### US

[sales@assured-systems.com](mailto:sales@assured-systems.com)

Sales: +1 347 719 4508  
Support: +1 347 719 4508

1309 Coffeen Ave  
Ste 1200  
Sheridan  
WY 82801  
USA

### EMEA

[sales@assured-systems.com](mailto:sales@assured-systems.com)

Sales: +44 (0)1785 879 050  
Support: +44 (0)1785 879 050

Unit A5 Douglas Park  
Stone Business Park  
Stone  
ST15 0YJ  
United Kingdom

VAT Number: 120 9546 28  
Business Registration Number: 07699660