

EC90A-GH

AMD Ryzen™ Embedded R1000 Series
Ultra Small Size Embedded System



KEY FEATURES



High Performance CPU

Smallest AMD Ryzen™ R1000 system



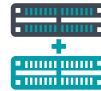
Ultra Small Size

Dimension: 112.29 x 80 x 56.20mm (W x H x D)



Fanless Design

DFI optimized thermal design



Expansion Options

Options of 2 serials ports or LTE or WiFi

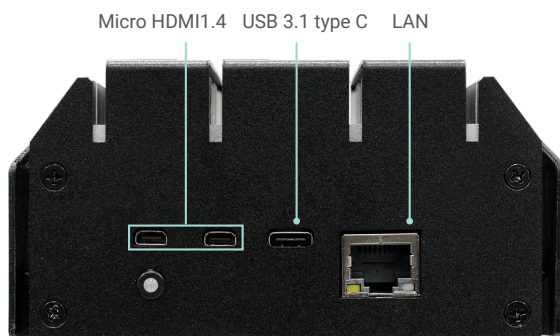


Easy Integration

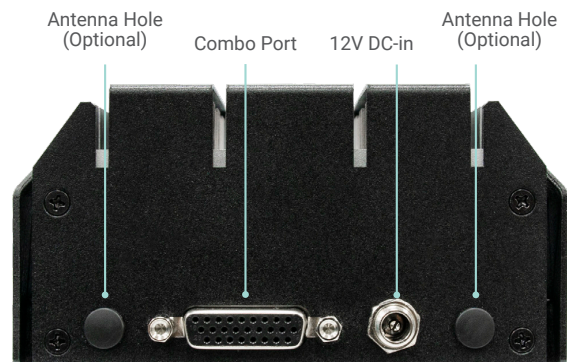
User friendly of installing SIM card



PANEL

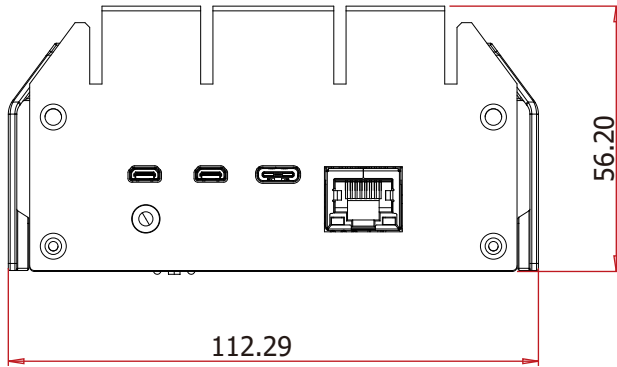


Front View

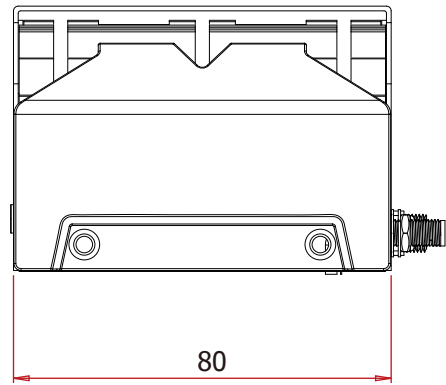


Rear View

DIMENSIONS

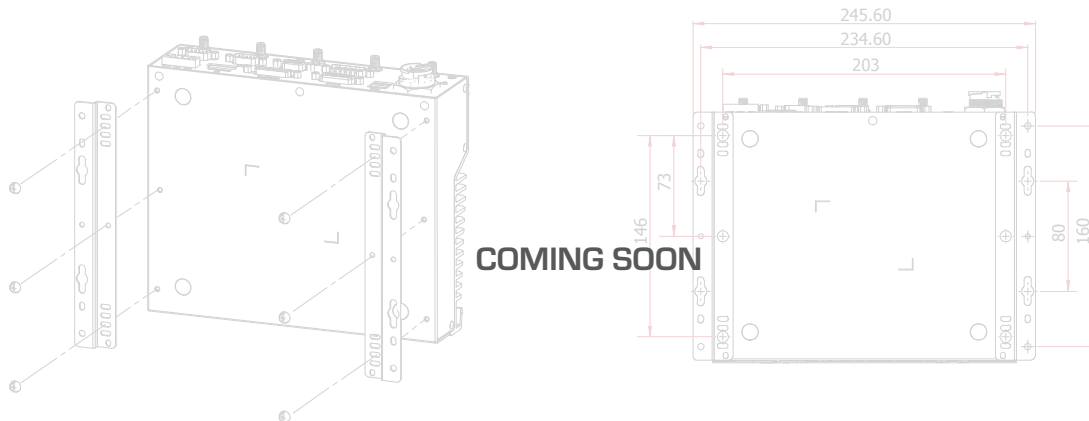


Front View



Right View

WALL MOUNTING



SPECIFICATION

SYSTEM	Processor	AMD Ryzen™ Embedded R1606G, Dual Core, 1MB Cache, 3 CU, 2.6GHz (3.5GHz), 12W AMD Ryzen™ Embedded R1505G, Dual Core, 1MB Cache, 3 CU, 2.4GHz (3.3GHz), 12W AMD Ryzen™ Embedded R1305G, Dual Core, 3 CU, 1.5GHz (2.8GHz), 8-10W AMD Ryzen™ Embedded R1102G, Dual Core, 3 CU, 1.2GHz (2.6GHz), 6W
	Memory	One DDR4 2400 MHz SODIMM down up to 4GB/8GB (memory onboard)
	BIOS	AMI SPI 64bit
	GRAPHICS	Controller
Feature		H.265 decode/encode support, VP9 decode.
Display		2 x Micro HDMI1.4 HDMI 1.4: resolution up to 4096 x 2160 @ 24Hz
STORAGE	Internal	eMMC up to 16/32/64/128GB
EXPANSION	Interface	1 x Mini-PCIe (PCIe signal)
ETHERNET	Controller	1 x I211AT PCIe or 1 x Intel I210IT (optional)
LED	Indicators	Power status
FRONT I/O	Ethernet	1 x GbE
	USB	1 x USB 3.1 Gen2 type C
	Display	2 x Micro HDMI1.4
REAR I/O	Combo Port	(option 1) 1 x 8-bit DIO + 1 x SMBus (option 2) 2 x RS-232
	Antenna	2 x Antenna (LTE or WiFi, via module) (optional) not available if selecting 2 x RS-232
WATCHDOG TIMER	Output & Interval	System reset, programmable via software from 1 to 255 seconds
SECURITY	TPM	fTPM 2.0
POWER	Type	12V DC-in
	Connector	DC Jack with lock
OS SUPPORT	Microsoft	Windows 10 IoT Enterprise 64-bit
	Linux	Ubuntu-certified IoT hardware
ENVIRONMENT	Operating Temperature	-20~45°C
	Storage Temperature	-40~85°C
	Relative Humidity	5 to 90% RH (non-condensing)
MECHANICAL	Construction	Metal + Aluminium
	Mounting	Wall mount /VESA mount
	Dimensions (W x H x D)	112.29 x 80 x 56.20mm
	Weight	700g
STANDARDS AND CERTIFICATIONS	Shock	Non-Operational Half-sine waveform: 5G
	Vibration	Non-Operational Vibration 1.5 G
	Certifications	CE, FCC

Assured Systems

Assured Systems is a leading technology company with over 1,500 regular clients in 80 countries, deploying over 85,000 systems to a diverse customer base in 12 years of business. We offer high-quality and innovative rugged computing, display, networking and data collection solutions to the embedded, industrial, and digital-out-of-home market sectors.

US

sales@assured-systems.com

Sales: +1 347 719 4508
Support: +1 347 719 4508

1309 Coffeen Ave
Ste 1200
Sheridan
WY 82801
USA

EMEA

sales@assured-systems.com

Sales: +44 (0)1785 879 050
Support: +44 (0)1785 879 050

Unit A5 Douglas Park
Stone Business Park
Stone
ST15 0YJ
United Kingdom

VAT Number: 120 9546 28
Business Registration Number: 07699660