

P710

10.4" XGA TFT LCD Railway Touchscreen Monitor (-25°C to +55°C)



1. Menu
2. SEL+
3. SEL-
4. Exit
5. Power LED
6. Power switch

Features

- Certified with EN 50155 and EN 45545-2 standards
- 10.4" high brightness XGA TFT touchscreen LCD
- Wide viewing angle and high brightness of 500 nits
- Supports VGA, DVI-D, and HDMI
- Light sensor for auto-dimming
- Typical 24 to 110 VDC wide power input range
- -25°C to +55°C wide temperature range
- Supports 5 OSD keys on the front bezel



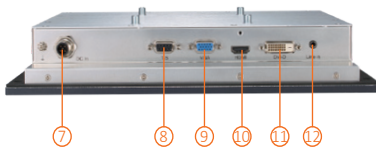
EN 50155



EN 45545-2



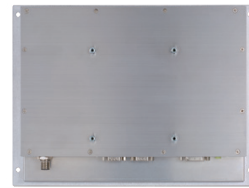
Wide Temperature



- | | |
|-------------------|-------------|
| 7. DC power input | 10. HDMI |
| 8. RS-232 | 11. DVI-D |
| 9. VGA | 12. Line-in |
| | 13. Speaker |



▲ Side view



▲ Rear view



13

Introduction

The P710 railway touchscreen monitor, compliant with EN 50155 standards, features a 10.4-inch XGA TFT LCD boasting 500 nits brightness and a 5-wire resistive touchscreen with an IP65-rated aluminum front bezel, ensuring both water resistance and user-friendly interface control. Designed for railway applications, it incorporates extended temperature technology, operating smoothly in temperatures ranging from -25°C to +55°C, with a fanless cooling system and compact design suitable for rolling stock and other demanding environments.

Equipped with a high brightness of 500 nits and a wide viewing angle, the P710 offers excellent readability, even under intense sunlight, ensuring users have access to information from various positions. Certified with anti-vibration design and compliant with EN 50155 and EN 61373 Cat. 1 Class B standards, the Axiomtek rugged 10.4-inch railway touchscreen monitor guarantees optimal performance on trains, withstanding vibrations encountered during operation.

Specifications

Front Bezel	IP65-rated aluminum front bezel and IP40-rated rear protection	
LCD Panel	Display Type	10.4" TFT LCD
	Max. Resolution	1024 x 768
	Max. Colors	16.2M/262k
	Active Area (mm)	210.4 (H) x 157.8 (V)
	Pixel Pitch (mm)	0.0685 (H) x 0.2055 (V)
	Response Time	25ms
	Backlight	LED
	Backlight MTBF	50,000 hrs
	Viewing Angle (H/V)	176°/176°
	Contrast Ratio	1000 (TYP.)
	Brightness (cd/m ²)	500 nits
Display Control	OSD (on screen display)	
Display Mode	VGA 640 x 480 (60/72 Hz)	
	SVGA 800 x 600 (60/72 Hz)	
	XGA 1024 x 768 (60/70 Hz)	
Input Signal	VGA	
	HDMI	
	DVI-D	
	RS-232 for touchscreen and IR remote control	
I/O Connectors	1 x RS-232 for touchscreen and remote control	
	1 x M12 A-coded Male 5-pin DC-in	
	1 x DVI- D	
	1 x VGA	
	1 x HDMI	
	1 x Line-in	
Power Supply	Typical 24 to 110 VDC	
Touchscreen	Thickness	Resistive: 2.2 mm
	Light Transmission	Resistive: 80%
	Touch Life	Resistive: 35 million touches
	Controller Interface	RS-232 DB9 male connector
Dimensions	310 mm (12.20") (W) x 49.2 mm (1.94") (D) x 214 mm (8.43") (H)	
Packing Dimensions	392 mm (15.44") (W) x 195 mm (7.68") (D) x 447 mm (17.60") (H)	
Weight (net/gross)	1.85 kg (4.08 lb) /3.29 kg (7.26 lb)	
Operating Temperature	-25°C to +55°C (-13°F to +131°F)	
Relative Humidity	20% to 90% @ +40°C, non-condensing	
Certifications	CE, FCC, EN 50155, EN 50121-3-2, EN 61373, and EN 45545-2 Certified	

Ordering Information

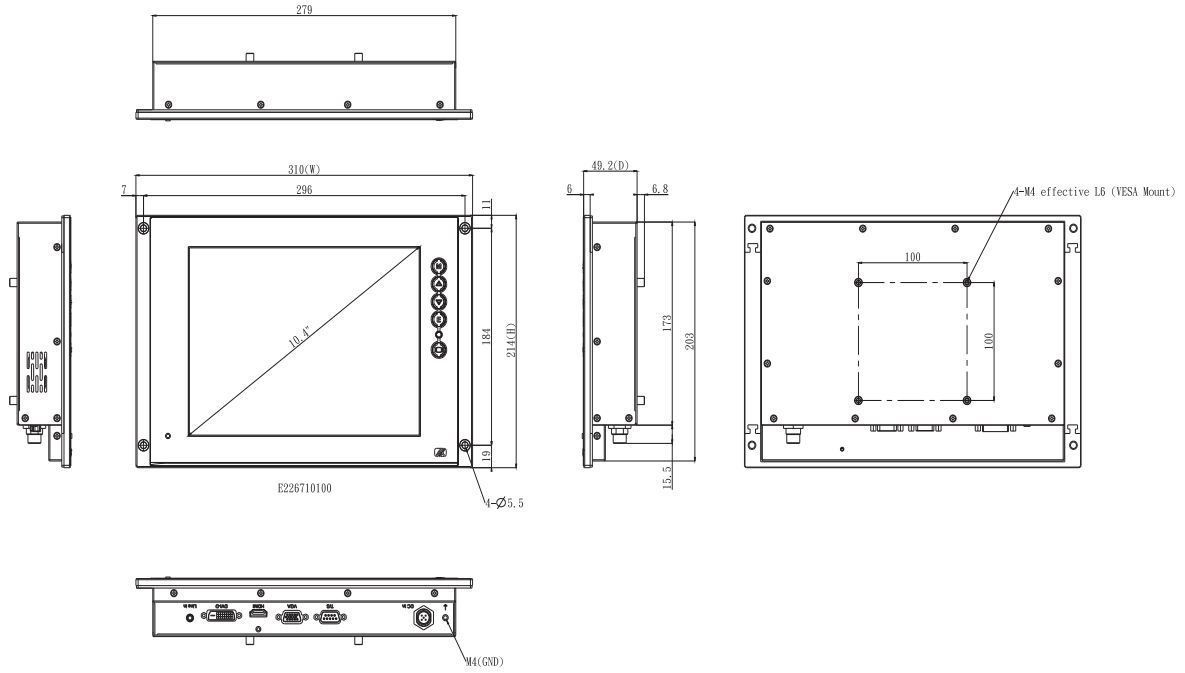
P710-RS1-M (P/N: E226710100)	10.4" XGA LCD railway touchscreen monitor with 24-110 VDC power input
---------------------------------	---

*Specifications and certifications may vary based on different requirements.

Packing List

- 1 x P710 unit
- 1 x RS-232 cable (for resistive touch)
- 1 x HDMI bracket
- 1 x Cable tie
- 1 x Cable clamp
- 2 x Screw M3*5L

Dimensions



Assured Systems

Assured Systems is a leading technology company with over 1,500 regular clients in 80 countries, deploying over 85,000 systems to a diverse customer base in 12 years of business. We offer high-quality and innovative rugged computing, display, networking and data collection solutions to the embedded, industrial, and digital-out-of-home market sectors.

US

sales@assured-systems.com

Sales: +1 347 719 4508
Support: +1 347 719 4508

1309 Coffeen Ave
Ste 1200
Sheridan
WY 82801
USA

EMEA

sales@assured-systems.com

Sales: +44 (0)1785 879 050
Support: +44 (0)1785 879 050

Unit A5 Douglas Park
Stone Business Park
Stone
ST15 0YJ
United Kingdom

VAT Number: 120 9546 28
Business Registration Number: 07699660