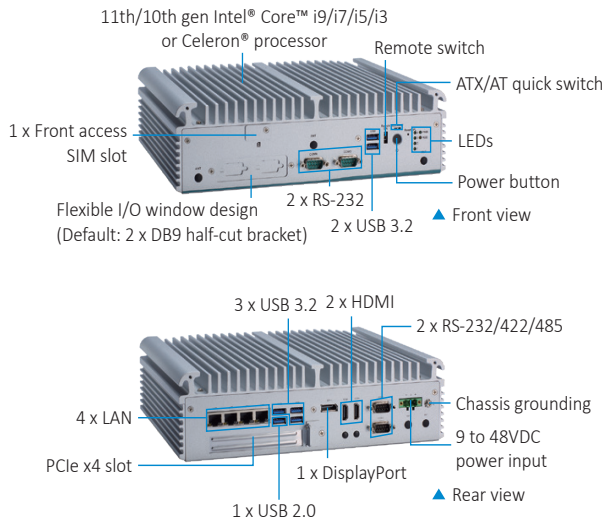


eBOX710A NEW

Fanless Embedded System with LGA1200 Socket 11th/10th Gen Intel® Core™ i9/i7/i5/i3 or Celeron® Processor, Intel® H420E, 2 HDMI, DisplayPort, 6 USB, 4 LAN, PCIe x4 slot, and 9 to 48 VDC



Features

- 11th/10th gen Intel® Core™ i9/i7/i5/i3 or Celeron® (Comet Lake-S) up to 65W processor
- 4 GbE LAN and 4 COM ports
- Dual 2.5" SATA HDD drive bays
- 2 HDMI and 1 DisplayPort with dual-view supported
- -40°C to +70°C wide operating temperatures
- Wide range power input from 9 to 48 VDC
- 1 PCIe x4 slot for I/O card
- Flexible I/O Window supported via mPCIe modules



Specifications

Standard Color	Silver	
Construction	Aluminum extrusion and heavy-duty steel, IP40	
CPU	LGA1200 socket 11th/10th gen Intel® Core™ i9/i7/i5/i3 or Celeron® processor (35W/65W)	
System Memory	2 x 260 pin DDR4-2933 non-ECC SO-DIMM, up to 64GB	
Chipset	Intel® H420E	
BIOS	AMI	
System I/O Outlet	Front side 1 x Power button 1 x AT/ATX quick switch 2 x USB 3.2 Gen1 1 x Remote switch 1 x Front access SIM slot with cover (for M.2 Key B) 1 x Reset switch connector 2 x RS-232 3 x Antenna opening 1 x Flexible I/O window (Default: 2 x DB9 half-cut bracket)	Rear side 1 x DC-in Phoenix type 2 x HDMI 1.4b (lockable) 1 x DisplayPort 1.2 ++ 3 x USB 3.2 Gen1 1 x USB 2.0 4 x GbE (3 x Intel® i210-IT, 1 x Intel® i219-LM) 2 x RS-232/422/485 2 x Antenna opening 1 x Grounding screw 1 x PCIe x4 slot
Watchdog Timer	255 levels, 1 to 255 sec.	
Storage	2 x 2.5" SATA HDD/SSD (up to 15 mm height) 2 x mSATA (enabled in BIOS setting)	
Expansion Interface	2 x Full-size PCI-Express Mini Card slot (USB + PCIe + SATA signal) 1 x M.2 Key B 3050 slot (for 5G; USB signal) 1 x Internal SIM slot for PCIe Mini Card slot 1 x PCIe x4 slot	
TPM	TPM 2.0	
System Indicator	1 x Green LED for system power 1 x Orange LED for HDD active 4 x Programmable Green LED	
Power Input	9 to 48 VDC	

Specifications

Operating Temperature	-40°C to +70°C (-40°F to +158°F) with 0.7 m/s air flow (CPU TDP 35W) -40°C to +60°C (-40°F to +140°F) with 0.7 m/s air flow (CPU TDP 65W) (with W.T. DRAM & SSD)
Humidity	10% - 90%, non-condensing
Shock Vibration	IEC 60068-2-27 (w/ SSD: 50G, half-sine, 11 ms duration)
Vibration Endurance	IEC 60068-2-64 (w/ SSD: 3Grms STD, random, 5 - 500 Hz, 1 hr/axis)
Package Vibration	MIL-STD-810G 514.6C-II compliance
Dimensions	280 mm (11.02") (W) x 210 mm (8.26") (D) x 80.5 mm (3.16") (H)
Weight (net/gross)	4.9 kg (10.8 lb)/7 kg (15.43 lb)
Certifications	CE, FCC Class A, UKCA
EOS Support	Win 11/10 IoT, Linux

* W.T.: Wide Temperature. All W.T. supported products have to be sorted by Axiomtek.

Packing List

- 1 x Thermal grease
- 1 x 3-pin terminal block connector
- 1 x Remote power switch cable
- 4 x Foot pad
- 1 x M.2 bracket + 2 x thermal pad + screw
- 2 x HDD bracket + screws

Power Protection

DC Version

- OVP (over voltage protection)
- UVP (under voltage protection)
- OCV (over current protection)
- SCP (short circuit protection)
- Reverse protection

Ordering Information

Standard

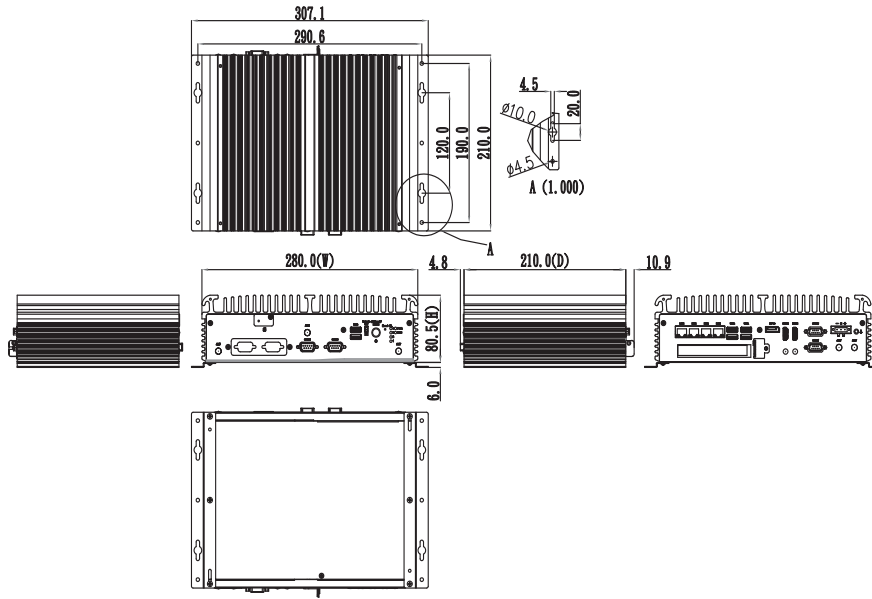
eBOX710A-CML-PCIe (P/N: E36K710A00)	Fanless embedded system with LGA1200 socket 11th/10th gen Intel® Core™ i9/i7/i5/i3 or Celeron® processor, Intel® H420E, 2 HDMI, DisplayPort, 6 USB, 4 LAN, PCIe x4 slot, and 9 to 48 VDC
--	--

Optional

2.5" SATA HDD	80GB or above
2.5" SATA SSD	100GB or above
DDR4 SO-DIMM	8GB to 32GB
mSATA	64GB or above
8816K6718A0E	Wall mount kit
886K671A0A0E	DIN-rail kit
	Wi-Fi/LTE/5G module
509000001500	24V 120W power adapter Power cord
E392906101	AX92906 COM Mini PCIe Module
E392903102	AX92903 CANbus PCI Express Mini module
E392902103	AX92902 LAN PCI Express Mini module
E392918103	AX92918 Dual LAN PCI Express Mini module
590000002700	DIO cable, L=20 cm, DB9 connector

* Specifications and certifications may vary based on different requirements.

Dimensions



Assured Systems

Assured Systems is a leading technology company with over 1,500 regular clients in 80 countries, deploying over 85,000 systems to a diverse customer base in 12 years of business. We offer high-quality and innovative rugged computing, display, networking and data collection solutions to the embedded, industrial, and digital-out-of-home market sectors.

US

sales@assured-systems.com

Sales: +1 347 719 4508
Support: +1 347 719 4508

1309 Coffeen Ave
Ste 1200
Sheridan
WY 82801
USA

EMEA

sales@assured-systems.com

Sales: +44 (0)1785 879 050
Support: +44 (0)1785 879 050

Unit A5 Douglas Park
Stone Business Park
Stone
ST15 0YJ
United Kingdom

VAT Number: 120 9546 28
Business Registration Number: 07699660