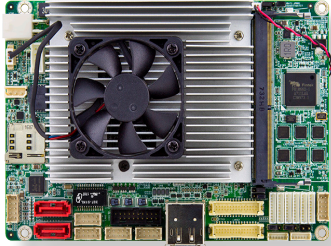




EmCORE-i89M2



6th Generation Intel® Core™ Processor 3.5" Compact Board



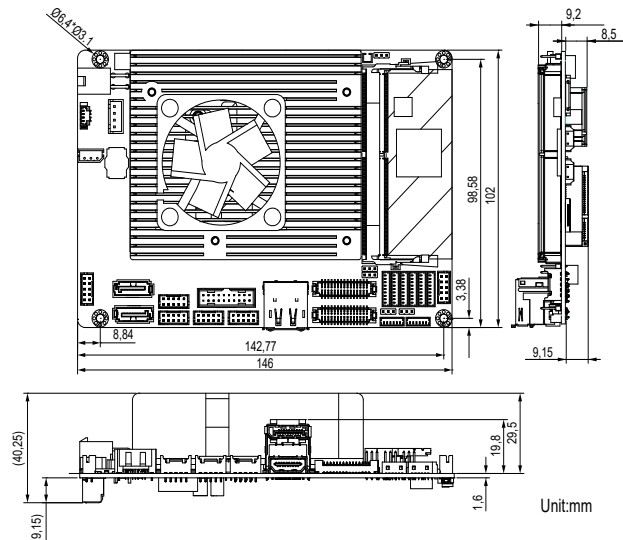
Features

- Soldered onboard 6th Generation Intel® Core™ i5-6442EQ/ i7-6822EQ
- Dual Gigabit Ethernet ports
- HDMI, DisplayPort and LVDS
- **Wide Range Operating Temp.: -40 ~ 85°C**
- Support Intel® vPro & AMT (for Core i7 & i5 only)
- Support Intel® Solid State Drive (SSD) Embedded "E SKU's

Computer on Module

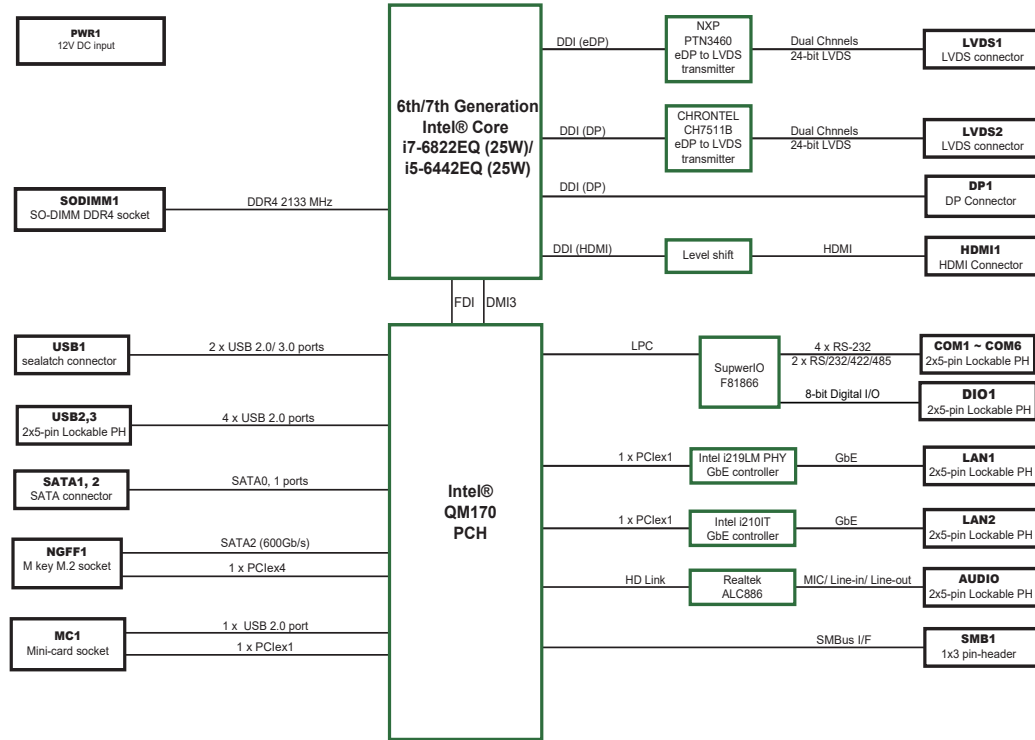
System	
CPU	Soldered onboard 6 th Generation Intel® Quad Core™ Processor i5-6442EQ 1.9GHz (base)/2.7GHz (Turbo) ; i7-6822EQ 2.0GHz (Base)/2.8GHz(Turbo)
Chipset	Intel® PCH QM170
Memory	1 x DDR4 SO-DIMM socket, supporting 2133/1866MHz SDRAM up to 16GB
BIOS	AMI UEFI BIOS
Watchdog Timer	1~255 levels reset
I/O	
Super I/O	Fintek F81866
USB Port	2 x USB 3.0/2.0 ports 4 x USB 2.0 ports
Serial Port	6 x COM ports - 4 x RS-232 - 2 x RS-232/422/485 selectable
Expansion	1 x Mini-Card Socket
Storage	2 x Serial ATA ports with 600MB/s HDD transfer rate 1 x NGFF M.2 socket for M-Key to support SATA/PCIe x4 depending on SSD module
Ethernet Chipset	1 x Intel® i219LM PCIe PHY 1 x Intel® i210IT PCIe GbE controller
Digital I/O	8-bit Programmable
Audio	Realtek® ALC886 HD Audio CODEC, Mic-in/Line-in/ Line-out
Display	
Graphic Chipset	Integrated Intel® HD Graphics 5x0 2 x Dual Channel 24-bit LVDS
Graphic Interface	1 x HDMI 1 x DisplayPort
OS Support	
Windows 7, Windows 10 64-bit Linux Ubuntu	

Mechanical & Environmental	
Power Requirement	+12V DC-In
Power Consumption	1.77A @+12V with i5-6442EQ (Typical) 1.82A @+12V with i7-6822EQ (Typical)
Operating Temp.	-40 ~ 85°C (-40 ~ 185°F)
Operating Humidity	10 ~ 95% @ 85°C (non-condensing)
Dimensions (L x W)	146 x 102 mm (5.7" x 4.0")
Dimensions	





Block Diagram



Ordering Information

EmCORE-i89M2-6442EQ	6 th Generation Intel® Core™ i5-6442EQ / QM170 3.5" compact board
EmCORE-i89M2-6822EQ	6 th Generation Intel® Core™ i7-6822EQ / QM170 3.5" compact board

Optional Accessories

CBK-15-89M2-00	Cable kit 1 x Audio cable 2 x SATA cables 1 x SATA power cable 2 x USB 2.0 cables 1 x USB 3.0 cable 2 x LAN cables 6 x COM cables
----------------	--

Assured Systems

Assured Systems is a leading technology company with over 1,500 regular clients in 80 countries, deploying over 85,000 systems to a diverse customer base in 12 years of business. We offer high-quality and innovative rugged computing, display, networking and data collection solutions to the embedded, industrial, and digital-out-of-home market sectors.

US

sales@assured-systems.com

Sales: +1 347 719 4508
Support: +1 347 719 4508

1309 Coffeen Ave
Ste 1200
Sheridan
WY 82801
USA

EMEA

sales@assured-systems.com

Sales: +44 (0)1785 879 050
Support: +44 (0)1785 879 050

Unit A5 Douglas Park
Stone Business Park
Stone
ST15 0YJ
United Kingdom

VAT Number: 120 9546 28
Business Registration Number: 07699660