

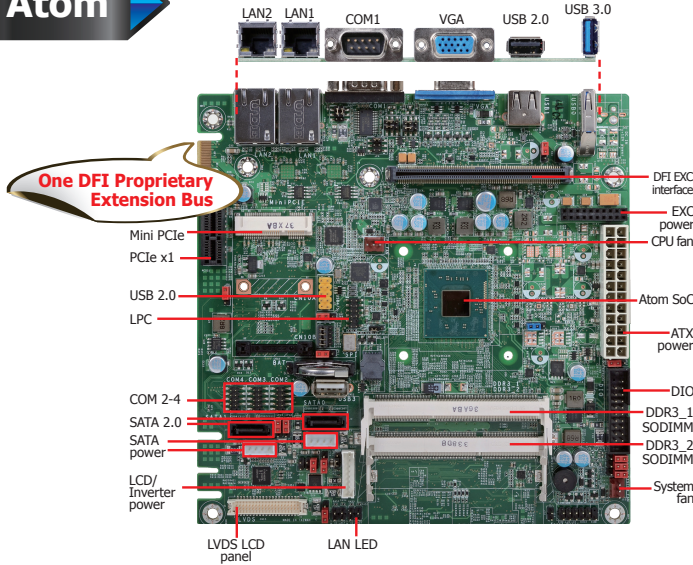


**Intel® Atom™ E3800 Series
Mini-ITX**

BT160

Atom

Atom



One DFI Proprietary Extension Bus

Features

MEMORY	2 DDR3L SODIMM up to 8GB (-E45/-E27/-E26/-J00/-N30) 1 DDR3L SODIMM up to 4GB (-E25/-E15)
EXPANSION	1 PCIe x1 1 Mini PCIe 1 DFI Proprietary Extension Bus 1 DFI EXC interface
DISPLAY OUTPUTS	1 VGA, 1 LVDS
LAN	2 LAN
COM	4 COM
USB	4 USB: 1 USB 3.0, 3 USB 2.0
STORAGE	2 SATA 2.0
DIO	8-bit DIO



3 Modules for Additional COM/Parallel Ports (via the LPC connector)

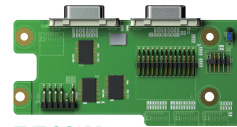


EXT-6C1PR

- 6 COM
- 1 Parallel

EXT-4C1PR

- 4 COM
- 1 Parallel



EXT-2C1PR

- 2 COM
- 1 Parallel

Note: To support the additional COM/Parallel ports, please contact your sales representative for the LPC module and its BIOS.

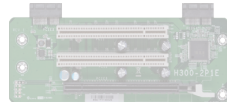
5 Riser Cards for DFI Proprietary Extension Bus



H Series:



- 3 PCI

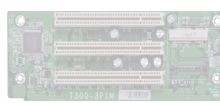


- 1 PCIe x16 (x1 signal)



- 1 PCIe x8 (x1 signal)

T Series:

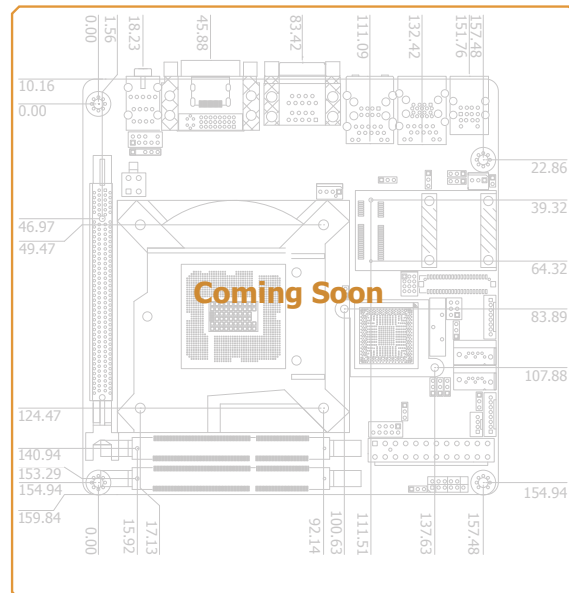


- 3 PCI

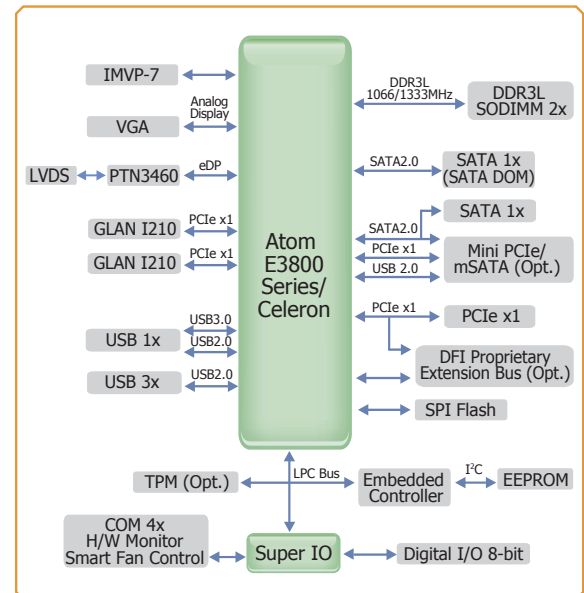


- 1 PCIe x16 (x1 signal)

Mechanical Drawing



Block Diagram





**Intel® Atom™ E3800 Series
Mini-ITX**

BT160

Specifications

PROCESSOR

- Intel® Atom™/Intel® Celeron® processors
 - BGA 1170 packaging technology
 - 22nm process technology
- Please refer to the Ordering Information below*

SYSTEM MEMORY

- Supports DDR3L 1333MHz (-E45/-E27/-J00/-N30)
- Supports DDR3L 1066MHz (-E26/-E25/-E15)
- Two 204-pin DDR3L SODIMM sockets (-E45/-E27/-E26/-J00/-N30)
 - up to 8GB system memory
 - dual channel memory interface
- One 204-pin DDR3L SODIMM socket (-E25/-E15)
 - up to 4GB system memory
 - single channel memory interface
- DRAM device technologies: 1Gb, 2Gb and 4Gb DDR3L DRAM technologies are supported for x8 and x16 devices, unbuffered, non-ECC

EXPANSION SLOTS

- 1 PCIe x1 slot
- 1 Mini PCIe slot
 - Supports USB and PCIe signals
 - Supports mSATA (optional)
 - Supports full size Mini PCIe card
- 1 DFI Proprietary Extension Bus for PCIe/PCI expansion
- 1 DFI EXC interface for I/O expansion
 - 1 PCIe x1
 - 1 DDI
 - 1 High Definition Audio
 - 2 Serial ports
 - 1 PS/2 keyboard/mouse
 - 2 USB 2.0
 - 1 USB HSIC
 - 1 SMBus
 - 1 LPC

ONBOARD GRAPHICS FEATURES

- Intel® HD Graphics
- Display ports: VGA and LVDS
- VGA: 24-bit, resolution up to 2560x1600 @ 60Hz
- LVDS: NXP PTN3460, 24-bit, dual channel, resolution up to 1920x1200 @ 60Hz
- Supports hardware acceleration for DirectX 11, OCL 1.2, OGL 3.2, H.264, MPEG2, MVC, VC-1, WMV9 and VP8

ONBOARD LAN FEATURES

- 2 Intel® I210 PCI Express Gigabit Ethernet controllers
- Integrated 10/100/1000 transceiver
- Fully compliant with IEEE 802.3, IEEE 802.3u, IEEE 802.3ab

SERIAL ATA INTERFACE

- 2 SATA 2.0 ports with data transfer rate up to 3Gb/s
 - SATA port 0 provides adequate space for SATA DOM
 - One multiplexed with mSATA (Mini PCIe)
- Integrated Advanced Host Controller Interface (AHCI) controller

REAR PANEL I/O PORTS

- 1 DB-9 RS232 serial port
- 1 DB-15 VGA port
- 2 RJ45 LAN ports
- 1 USB 2.0 port
- 1 USB 3.0 port

Ordering Information

Model Name			Processors
BT160	-	N	- E45
			E45: Intel® Atom™ E3845, Quad Core, 2M Cache, 1.91GHz, 10W E27: Intel® Atom™ E3827, Dual Core, 1M Cache, 1.75GHz, 8W E26: Intel® Atom™ E3826, Dual Core, 1M Cache, 1.46GHz, 7W E25: Intel® Atom™ E3825, Dual Core, 1M Cache, 1.33GHz, 6W E15: Intel® Atom™ E3815, Single Core, 0.5M Cache, 1.46GHz, 5W J00: Intel® Celeron® J1900, Quad Core, 2M Cache, up to 2.42GHz, 10W N30: Intel® Celeron® N2930, Quad Core, 2M Cache, up to 2.16GHz, 7.5W

Packing List

- 1 BT160 motherboard
- 1 Serial ATA data cable
- 1 I/O shield
- 1 DVD
- 1 QR (Quick Reference)

I/O CONNECTORS

- 1 connector for 2 external USB 2.0 ports
- 3 connectors for 3 external serial ports
 - 1 RS422/485 (RS232 and/or power)
 - 2 RS232
- 1 LVDS LCD panel connector
- 1 LCD/inverter power connector
- 1 8-bit DIO connector
- 1 LPC connector
- 2 LAN LED connectors
- 2 Serial ATA connectors
- 2 Serial ATA power connectors
- 1 24-pin ATX power connector
- 1 front panel connector
- 1 chassis intrusion connector
- 2 fan connectors

TRUSTED PLATFORM MODULE (TPM) - optional

- Provides a Trusted PC for secure transactions
- Provides software license protection, enforcement and password protection

WATCHDOG TIMER

- Watchdog timeout programmable via software from 1 to 255 seconds

BIOS

- AMI BIOS
- 64Mbit SPI BIOS

ENERGY EFFICIENT DESIGN

- Supports ErP Lot6 power saving (optional)
- Supports ACPI
- System Power Management
- Wake-On-Events include:
 - Wake-On-PS/2 KB/Mouse (optional)
 - Wake-On-USB KB/Mouse (optional)
 - Wake-On-LAN
- RTC timer to power-on the system
- AC power failure recovery

DAMAGE FREE INTELLIGENCE

- Monitors CPU/system temperature and overheat alarm
- Monitors VCore/12V/5V/DDR voltages and failure alarm
- Monitors CPU/system fan speed and failure alarm
- Read back capability that displays temperature, voltage and fan speed

POWER CONSUMPTION

- TBD

OS SUPPORT

- TBD

TEMPERATURE

- Operating: 0°C to 60°C
- Storage: -20°C to 85°C

HUMIDITY

- 5% to 95%

DIMENSIONS

- Mini-ITX form factor
- 170mm (6.7") x 170mm (6.7")

Optional Items

- USB port cable
- Serial ATA data cable
- I/O shield
- 1 LPC module kit (COM/Parallel extension module)

Assured Systems

Assured Systems is a leading technology company with over 1,500 regular clients in 80 countries, deploying over 85,000 systems to a diverse customer base in 12 years of business. We offer high-quality and innovative rugged computing, display, networking and data collection solutions to the embedded, industrial, and digital-out-of-home market sectors.

US

sales@assured-systems.com

Sales: +1 347 719 4508
Support: +1 347 719 4508

1309 Coffeen Ave
Ste 1200
Sheridan
WY 82801
USA

EMEA

sales@assured-systems.com

Sales: +44 (0)1785 879 050
Support: +44 (0)1785 879 050

Unit A5 Douglas Park
Stone Business Park
Stone
ST15 0YJ
United Kingdom

VAT Number: 120 9546 28
Business Registration Number: 07699660