

tBOX100-838-FL NEW

Fanless Embedded System with Intel® Atom™ Processor E3845 for Vehicle, Railway and Marine PC

Features

- CE (Class A), E-Mark and ISO 7637 certified
- EN 50155, EN 50121, and DNV 2.4, IEC 60945 compliance
- Intel® Atom™ E3845 4C@1.91 GHz
- DDR3L-1333 4GB memory onboard
- Intelligent power management solution
- Compact size, multiple I/Os, DIN-rail and wall mount
- 1 PCIe Mini Card slot and 1 SIM card slot



e13/ISO7637



EN50155



IEC60945



Fanless



Ext. Temp



DDR3L



Low Power



▲ Front view



▲ Rear view

Specifications

Standard Color	Silver black	
Construction	Aluminum extrusion and heavy-duty steel	
CPU	Intel® Atom™ processor E3845 (4C@1.91 GHz)	
System Memory	DDR3L-1333, 4 GB memory onboard	
Chipset	SoC integrated	
BIOS	AMI	
System I/O Outlet	Rear Side	Option #1: 2 x M12 A-coded GbE LAN + 1x M12 DC power input Option #2: 2 x RJ-45 GbE LAN + 1 x Phoenix DC power input (Intel® i210 x2) 4 x Antenna opening
	Front Side	1 x RS-232/422/485 1 x VGA 2 x USB 2.0 1 x Remote switch 1 x Reset button 5 x BNC (4 x video-in/1 x audio-in)
Watchdog Timer	255 levels, 0 ~ 255 seconds/minutes	
Storage	1 x 2.5" 9.5 mm SATA drive	
	1 x mSATA	
Expansion Interface	1 x full-size PCIe Mini Card with mSATA 1 x SIM card slot	
System Indicator	1 x green LED indicator for system power 1 x green LED indicator for programmable #1 1 x green LED indicator for programmable #2 1 x yellow LED indicator for HDD active 1 x green LED indicator for LAN #1 active 1 x green LED indicator for LAN #2 active	
Power Supply	Power input: 9 ~ 36 VDC Typical: 12/24 VDC	
Operating Temperature	-40°C ~ +70°C (-40°F ~ +158°F) with W.T. SSD -25°C ~ +55°C (-13°F ~ +131°F) with W.T. HDD	
Humidity	5% ~ 95%, non-condensing	
Vibration Endurance	3 Grms w/ SSD (5-500Hz, X, Y, Z direction; random) 1 Grms w/ HDD (5-500Hz, X, Y, Z direction; random)	
Shock	Comply EN 61373 section 10 table 3 category 1 class A and class B up to 5 Grms (30ms, ±X/Y/Z direction)	

Dimensions	163.8 mm (6.44") (W) x 108 mm (4.25") (D) x 44 mm (1.73") (H)
Weight (net/gross)	0.77 kg (1.69 lb)/ TBC
Certificate	CE (Class A), E-Mark, ISO 7637 certified EN 50155, EN 50121, and DNV 2.4, IEC 60945 compliance
EOS support	Windows® 10, WE8S, WES 7, Linux, VxWorks7

Ordering Information

Standard

tBOX100-838-FL-E3845-RJ-ACC-DC	Fanless vehicle/railway/marine embedded system with Intel® Atom™ E3845, 4GB RAM, 2 GbE LANs (RJ-45), phoenix DC-in, 1 COM, 5 BNC (4 x video in/1 x audio in), 1 capture card with ACC power setting (vehicle only)
tBOX100-838-FL-E3845-M12-ACC-DC	Fanless vehicle/railway/marine embedded system with Intel® Atom™ E3845, 4GB RAM, 2 GbE LANs (M12), phoenix DC-in, 1 COM, 5 BNC (4 x video in/1 x audio in), 1 capture card with ACC power setting (vehicle only)

Optional

2.5" SATA HDD/SSD
mSATA SSD
3G/4G module
Wi-Fi module
Wi-Fi & bluetooth
GPS module
CANbus module

*Specifications and certifications are based on options and may vary.

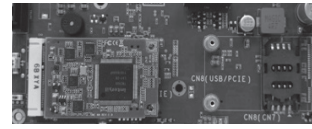
Expansion & Installation



1 x AUDIO-IN + 4 x VIDEO-IN BNC connector for DVR surveillance system



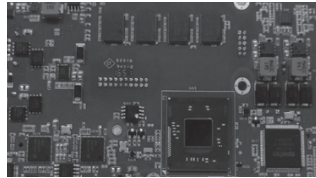
1 x Swappable HDD/SSD



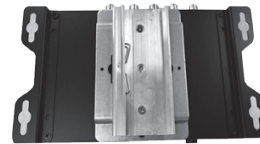
1 x PCIe Mini Capture Card
1 x PCIe Mini Card Slot + 1 x SIM Card Slot



Optional M12 type for DC-in jack and LAN jack



Onboard processor and system memory for great reliability and stability



Wall-mount / DIN-rail supported for various applications, without space limitation

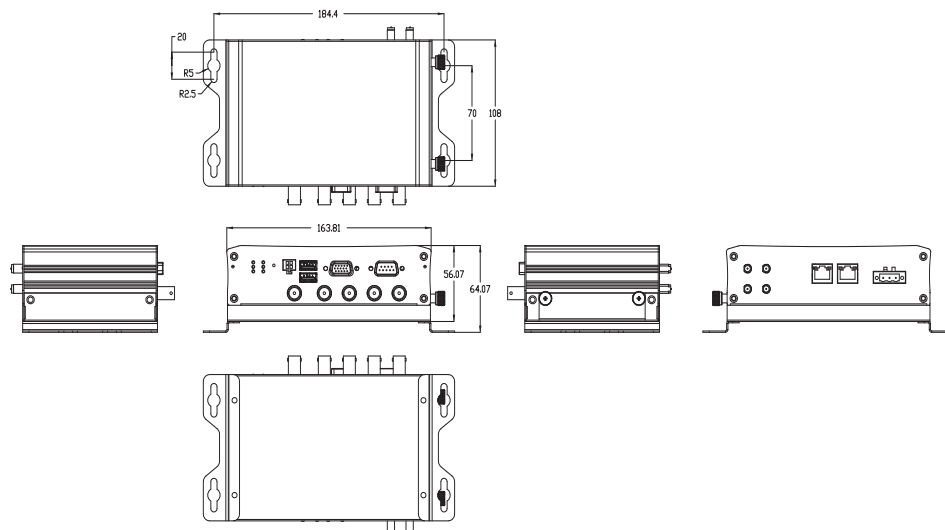
Packing List

- 1 x Quick Manual
- 1 x Driver CD
- 1 x Screws pack
- 4 x Foot pad
- 1 x Wall-mount Kit
- 1 x DIN-rail Kit
- 1 x DIO female connector (Optional)

Power Protection

- SCP (short circuit protection)
- OVP (over voltage protection)
- UVP (under voltage protection)
- Vehicle Version**
- ISO 7637 pulse 1/2/3/4/5a
- Battery protection setting: Low voltage, Very low voltage
- Ignition control setting: Low voltage counter, ACC-ON delay, Shut down delay

Dimensions



Assured Systems

Assured Systems is a leading technology company with over 1,500 regular clients in 80 countries, deploying over 85,000 systems to a diverse customer base in 12 years of business. We offer high-quality and innovative rugged computing, display, networking and data collection solutions to the embedded, industrial, and digital-out-of-home market sectors.

US

sales@assured-systems.com

Sales: +1 347 719 4508
Support: +1 347 719 4508

1309 Coffeen Ave
Ste 1200
Sheridan
WY 82801
USA

EMEA

sales@assured-systems.com

Sales: +44 (0)1785 879 050
Support: +44 (0)1785 879 050

Unit A5 Douglas Park
Stone Business Park
Stone
ST15 0YJ
United Kingdom

VAT Number: 120 9546 28
Business Registration Number: 07699660