

# GOT5152T-845

15" XGA TFT Fanless Touch Panel Computer with Intel® Celeron® Processor N3060

## Features

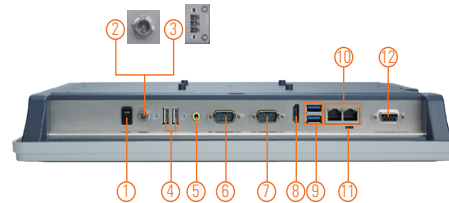
- 15" XGA TFT LCD display with LED backlight
- Fanless cooling system with Intel® Celeron® processor N3060
- WLAN module and internal antenna
- 2 GbE LAN, 4 USB and 2 COM
- PCI Express Mini Card slot for easy expansion
- Supports optional panel mount/wall mount/desktop stand
- Supports RFID (optional)
- Plastic and IP65-rated front bezel



▲ Side view



▲ Desktop stand



- |                                    |                       |                                       |
|------------------------------------|-----------------------|---------------------------------------|
| 1. Power switch (ATX)              | 6. 1 x RS-232/422/485 | 11. AT/ATX selectable switch          |
| 2. Power input connector (Screw)   | 7. 1 x RS-232         | 12. 8 x DIO ports (programmable, DB9) |
| 3. Power input connector (Phoenix) | 8. HDMI               |                                       |
| 4. 2 x USB 2.0                     | 9. 2 x USB 3.0        |                                       |
| 5. Audio (Line-out)                | 10. 2 x RJ-45         |                                       |



## Introduction

Axiomtek GOT5152T-845 utilizes the fanless technology with Intel® N3060 dual cores CPU. Running Windows or Linux, this panel system provides great performance for many commercial and industrial applications. This slim design incorporates a 15" 450 nits LCD display providing a bright XGA (1024 x 768) touch screen. Wireless communications is supported with a built-in antenna within the bezel, ready for your choice of optional PCI Express Mini Card. Besides, it provides two types of power input. One is DC power with terminal block connector, and another is AC power adapter with screw type connector. Using an all industrial-grade IP65 rated design, weighted 7 to 11 lbs (depending on configuration), this 15" fanless touch panel computer provides an attractive cost, low power, high performance, reliable quality, slim size and low weight, all new for more demanding applications.

### Super Slim & Ultra Light Weight Design

The GOT5152T-845 is a super slim touch panel computer for space-limited environment with its thickness of 54.6 mm and weight of 3.2 kg only, which make it installed everywhere.

### Built-in Internal WLAN Antenna

The GOT5152T-845 provides 2 PCI Express Mini Card slots and a built-in WLAN antenna for wireless network connections. By simply plugging in the wireless LAN cards, customers can use the GOT5152T-845 in a wireless LAN/GPRS/GSM/4G environments.

### Aluminum Back Chassis with Excellent Thermal Solution

With Axiomtek's patent for plastic plus aluminum mechanism design, the GOT5152T-845 can dissipate the heat easily and keep the system operation stable.

## Specifications

Front Bezel	IP65, NEMA 4 rugged protection, plastic front bezel
LCD Panel	Display Type 15" XGA TFT LCD with LED backlight
	Brightness (cd/m <sup>2</sup> ) 450 nits
	Resolution 1024 x 768
	Viewing Angel (H/V) 160°/140°
Main System	CPU Intel® Celeron® processor N3060 2 cores (up to 2.48 GHz)
	System Memory 1 x 204-pin DDR3L-1600 MHz SO-DIMM, up to 8GB
	BIOS AMI UEFI BIOS
	Storage 1 x 2.5" SATA HDD (9.5 mm) 1 x mSATA
	Watchdog Timer 255 levels, 0 - 255 sec.
	Onboard Graphics Integrated Intel® HD GFX

**Specifications**

I/O Connector	1 x RS-232 1 x RS-232-422-485 1 x HDMI 1 x 8-bit DIO port (programmable, DB9) 1 x Switch for power on/off 1 x AT/ATX mode selection switch 2 x USB 2.0 2 x USB 3.0 1 x Audio (Line-out) 2 x 10/100/1000 Mbps Ethernet (Intel® i211-AT)
TPM	N/A
Expansion Interface	1 x Full-size PCI Express Mini Card with mSATA supported 1 x Full-size PCI Express Mini Card with SIM slot
Touchscreen	5-wire resistive touch
Power Supply	DC version: 24 VDC over current protection fuse AC version: 100 - 240VAC-DC, 60W power adapter
Power Consumption	32W
Dimensions	387.9 mm (15.27") (W) x 54.6 mm (2.14") (D) x 307.7 mm (12.11") (H)
Packing Dimensions	510 mm (20.08") (W) x 105 mm (4.13") (D) x 385 mm (15.16") (H)
Weight (net/gross)	3.2 kg (7.05 lb)/5.1 kg (11.24 lb)
Environment	Operating temperature: 0°C to +50°C (+32°F to +122°F) Relative humidity: 20% - 90% @ +40°C; non-condensing Operation vibration: 2G, 10 - 500Hz, random for SS
Certificate	CE, FCC, UL60950-1

\* W.T.: Wide Temperature. All W.T. supported products have to be sorted by Axiomtek.

**Packing List**

- 1 x GOT5152T-845
- 1 x Driver CD
- 1 x Adapter (GOT5152T-845-J)
- 1 x Power cord (GOT5152T-845-J)
- 1 x Phoenix connector (GOT5152T-845 24V DC)

**Ordering Information**

GOT5152T-845 24VDC	15" XGA fanless touch panel computer with Intel® Celeron® processor N3060, 5-wire resistive touch screen and 24 VDC power input (terminal block connector)
GOT5152T-845 J	15" XGA fanless touch panel computer with Intel® Celeron® processor N3060, 5-wire resistive touch screen, AC-DC 60W power adapter (screw type connector), and EMI class B

**Optional**

Wi-Fi + Bluetooth kit	
Speaker kit	
881251520A0E	Panel mount kit
881251521A0E	Wall mount kit
E226171106	Stand kit
881251203A0E	RFID kit

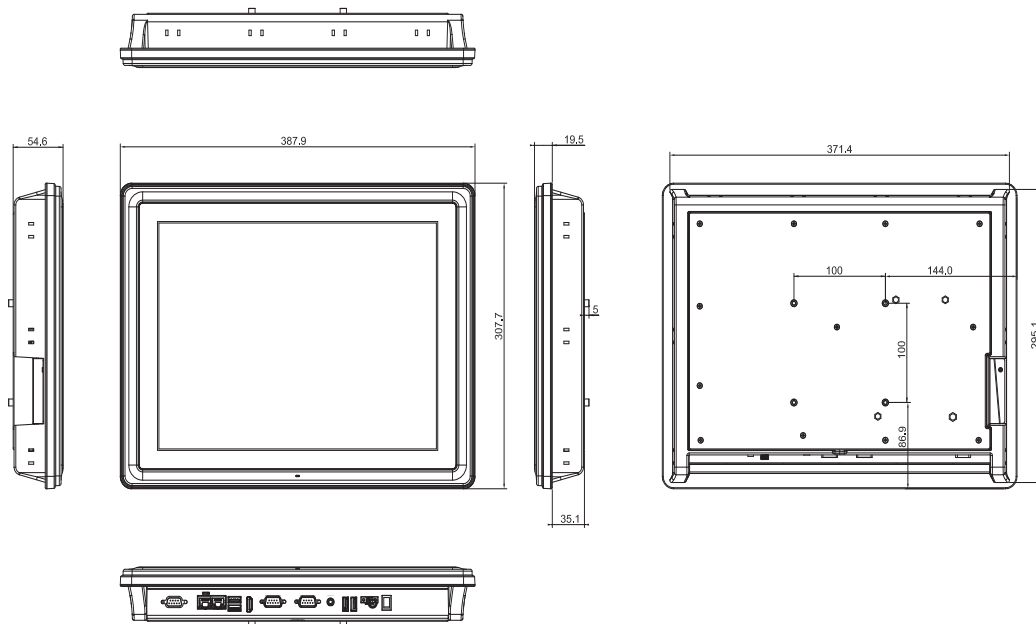
**Optional EOS Installation**

WES7
WES8 (64-bit)
Windows® 10 IoT Enterprise (64-bit)

**Optional OS Installation**

Windows® 7
Windows® 8.1 (64-bit)
Windows® 10

**Dimensions**



## Assured Systems

Assured Systems is a leading technology company with over 1,500 regular clients in 80 countries, deploying over 85,000 systems to a diverse customer base in 12 years of business. We offer high-quality and innovative rugged computing, display, networking and data collection solutions to the embedded, industrial, and digital-out-of-home market sectors.

### US

[sales@assured-systems.com](mailto:sales@assured-systems.com)

Sales: +1 347 719 4508  
Support: +1 347 719 4508

1309 Coffeen Ave  
Ste 1200  
Sheridan  
WY 82801  
USA

### EMEA

[sales@assured-systems.com](mailto:sales@assured-systems.com)

Sales: +44 (0)1785 879 050  
Support: +44 (0)1785 879 050

Unit A5 Douglas Park  
Stone Business Park  
Stone  
ST15 0YJ  
United Kingdom

VAT Number: 120 9546 28  
Business Registration Number: 07699660