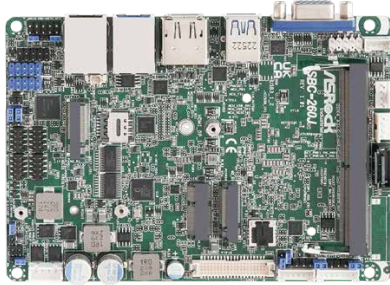


SBC-260

3.5" SBC Motherboard



KEY FEATURES

- Intel® Alder Lake-N SoC Processors
- 1 x 260-pin SO-DIMM DDR4 3200 MHz, up to 32GB
- 2 x USB 3.2 Gen2, 4 x USB 2.0, 1 x M.2 Key E, 1 x M.2 Key M, 1 x M.2 Key B, 4 x COM, 1 x SATA3
- 1 x Intel 1 Gigabit LAN, 1 x Intel 2.5 Gigabit LAN
- Supports Triple display, 1 x HDMI 2.0b, 1 x DP 1.4a, 1 x VGA, 1 x LVDS or eDP
- TPM 2.0 onboard IC
- 9~36V DC-In PWR

SPECIFICATIONS

Form Factor

Dimensions	3.5" SBC (5.8-in x 4-in x 1.02-in, 14.7 cm x 10.2 cm x 2.60 cm)
------------	---

Processor System

CPU	Intel® Alder Lake-N SoC Processors SBC-260J (N97, QC, Max Speed Up to 3.6GHz, 12W) *For other CPU SKUs request, please contact regional Sales for availability
BIOS	AMI SPI 256 Mbit

Memory

Technology	Single Channel DDR4 3200 MHz
Capacity	32GB
Socket	1 x 260-pin SO-DIMM

Graphics

Controller	Intel® UHD Graphics
HDMI	HDMI 2.0b Max resolution up to 4096 x 2160@60Hz
DisplayPort	DP 1.4a Max resolution up to 4096 x 2160@60Hz
VGA	Max resolution up to 1920 x 1200
LVDS	Dual channel 24 bit up to 1920 x 1200@60Hz (Connector shared with eDP)
eDP	Max resolution up to 1920 x 1080@60Hz (Connector shared with LVDS)
MultiDisplay	Triple display

Expansion Slot

M.2	1 x M.2 (Key E, 2230) with PCIe x1, USB 2.0 and CNVi for Wireless 1 x M.2 (Key B, 3042/3052) with PCIe x1/USB 3.2/USB2.0 and SIM for 4G/5G
SIM Socket	1x SIM socket connected to M.2 key B

Audio

Interface	Realtek ALC256 HD, High Definition Audio.
-----------	---

Ethernet

Controller/ Speed	LAN1: Intel® I226V with 10/100/1000/2500 Mbps LAN2: Intel® I210AT with 10/100/1000 Mbps
Connector	2 x RJ-45

Rear I/O

HDMI	1 x HDMI 2.0b
DisplayPort	1 x DP 1.4a
VGA	1
Ethernet	1 x 1 Gigabit LAN, 1 x 2.5 Gigabit LAN
USB	2 x USB 3.2 Gen2

Internal Connector

USB	4 x USB 2.0 (2x2.54 pitch header)
COM	COM3, COM4 (RS-232) COM1, COM2 (RS-232/422/485)
GPIO	4 x GPI, 4 x GPO
LVDS	1 (Connector with LVDS/eDP signal, switch by BIOS)
SATA PWR Output	1
Speaker Header	1
MIPI Camera Header	1 (Optional)

Storage

M.2	1 x M.2 (Key M, 2242/2260/2280) with PCIe x1 or SATA3 for SSD
SATA	1 x SATA3

Security

TPM	TPM 2.0 onboard IC
-----	--------------------

Watchdog Timer

Output Interval	From Super I/O to drag RESETCON# 256 Segments, 0, 1, 2, ...255sec
-----------------	--

Power Requirements

Input PWR	9~36V DC-In with 4-pin wafer PWR
Power On	AT/ATX Supported - AT : Directly PWR on as power input ready - ATX : Press button to PWR on after power input ready

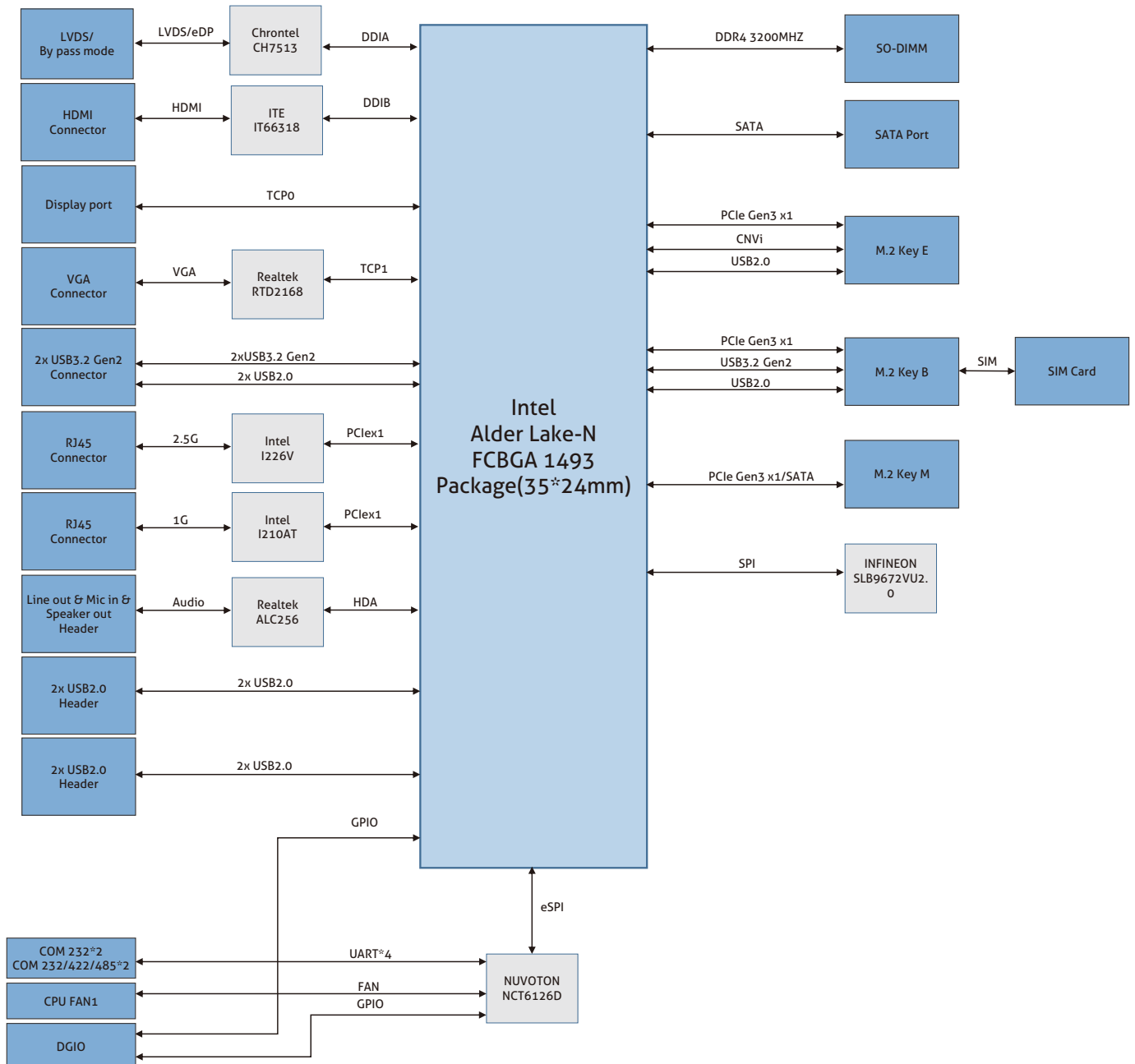
Environment

Operating Temp	-20°C ~ 70°C
Storage Temp	-40°C ~ 85°C
Operating Humidity	5% ~ 90%
Storage Humidity	5% ~ 90%

SBC-260

3.5" SBC Motherboard

BLOCK DIAGRAM



Assured Systems

Assured Systems is a leading technology company with over 1,500 regular clients in 80 countries, deploying over 85,000 systems to a diverse customer base in 12 years of business. We offer high-quality and innovative rugged computing, display, networking and data collection solutions to the embedded, industrial, and digital-out-of-home market sectors.

US

sales@assured-systems.com

Sales: +1 347 719 4508
Support: +1 347 719 4508

1309 Coffeen Ave
Ste 1200
Sheridan
WY 82801
USA

EMEA

sales@assured-systems.com

Sales: +44 (0)1785 879 050
Support: +44 (0)1785 879 050

Unit A5 Douglas Park
Stone Business Park
Stone
ST15 0YJ
United Kingdom

VAT Number: 120 9546 28
Business Registration Number: 07699660