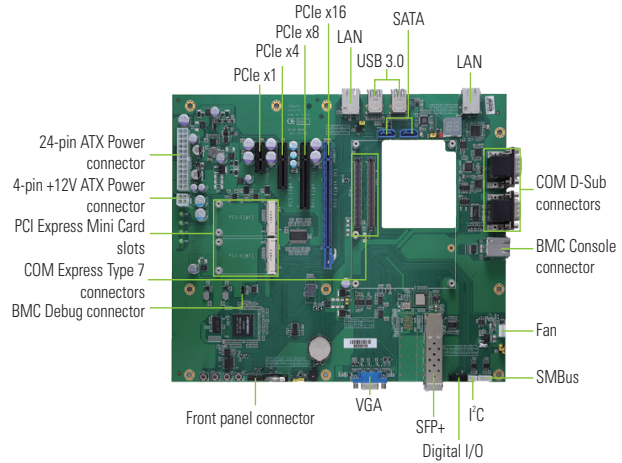


# CEB94701 NEW

COM Express Type 7 Development Baseboard

## Features

- Two 10GBASE-KR SFP+ ports
- 2 SATA-600
- VGA
- 4 USB 3.0
- 2 PCI Express Mini Card slots
- 2 RS-232/422/485



### Core System

CPU	On the module
System Memory	On the module
Chipset	SoC integrated
BIOS	On the module
SSD	N/A
Watchdog Timer	On the module
Expansion Interface	2 x Full-size PCI Express Mini Card slot (one for optional) 1 x PCIe x16 1 x PCIe x8 1 x PCIe x4 1 x PCIe x1
Battery Lithium	Lithium 3V/220 mAh
Power Input	1 x 24-pin ATX connector 1 x 4-pin 12V connector (for module power supply)
Dimensions	244 x 305 mm
Board Thickness	1.6 mm
Operating Temperature	-20°C to +70°C (-4°F to +158°F)
Humidity	10% to 95% relative humidity, non-condensing

### I/O

SATA	2 x SATA-600
Hardware Monitoring	Yes
Ethernet	1 x 10/100/1000 Mbps Ethernet 2 x 10GBASE-KR (SFP+)
Audio	Buzzer
USB	4 x USB 3.0/2.0
Serial	2 x RS-232/422/485 2 x TX/RX
TPM	On module
SMBus	Yes
Others	1 x i°C
GPIO	4-CH in & 4-CH out
Display	1 x VGA

### Packing List

Quick installation guide; user's manual/utility CD

### Ordering Information

Standard	
CEB94701 (P/N: E394701100)	COM Express Type 7 development board with two 10GBASE-KR Ethernet ports
Compliant Modules	
CEM700-D1577	COM Express Type 7 basic module with Intel® Xeon® D-1577, 10GBASE-KR, USB 3.0 and TPM
CEM700-D1539	COM Express Type 7 basic module with Intel® Xeon® D-1539, 10GBASE-KR, USB 3.0 and TPM
CEM700-D1548	COM Express Type 7 basic module with Intel® Xeon® D-1548, 10GBASE-KR, USB 3.0 and TPM
CEM700-D1527	COM Express Type 7 basic module with Intel® Xeon® D-1527, 10GBASE-KR, USB 3.0 and TPM
CEM700-D1519	COM Express Type 7 basic module with Intel® Pentium® D-1519, 10GBASE-KR, USB 3.0 and TPM
CEM700-D1508	COM Express Type 7 basic module with Intel® Xeon® D-1508, 10GBASE-KR, USB 3.0 and TPM



## Assured Systems

Assured Systems is a leading technology company with over 1,500 regular clients in 80 countries, deploying over 85,000 systems to a diverse customer base in 12 years of business. We offer high-quality and innovative rugged computing, display, networking and data collection solutions to the embedded, industrial, and digital-out-of-home market sectors.

### US

[sales@assured-systems.com](mailto:sales@assured-systems.com)

Sales: +1 347 719 4508  
Support: +1 347 719 4508

1309 Coffeen Ave  
Ste 1200  
Sheridan  
WY 82801  
USA

### EMEA

[sales@assured-systems.com](mailto:sales@assured-systems.com)

Sales: +44 (0)1785 879 050  
Support: +44 (0)1785 879 050

Unit A5 Douglas Park  
Stone Business Park  
Stone  
ST15 0YJ  
United Kingdom

VAT Number: 120 9546 28  
Business Registration Number: 07699660