

CEM313

COM Express Type 6 Compact Module with Intel® Pentium® Processor N4200 & Celeron® Processor N3350

Features

- Intel® Pentium® processor N4200 & Celeron® processor N3350 (Apollo Lake)
- 2 DDR3L-1600 SO-DIMM, up to 8GB
- Max. up to 4 lanes of PCIe
- 2 SATA-600
- 4 USB 3.0 and 8 USB 2.0
- AXView 2.0 intelligent remote management software for industrial IoT applications
- TPM 1.2 supported (optional)

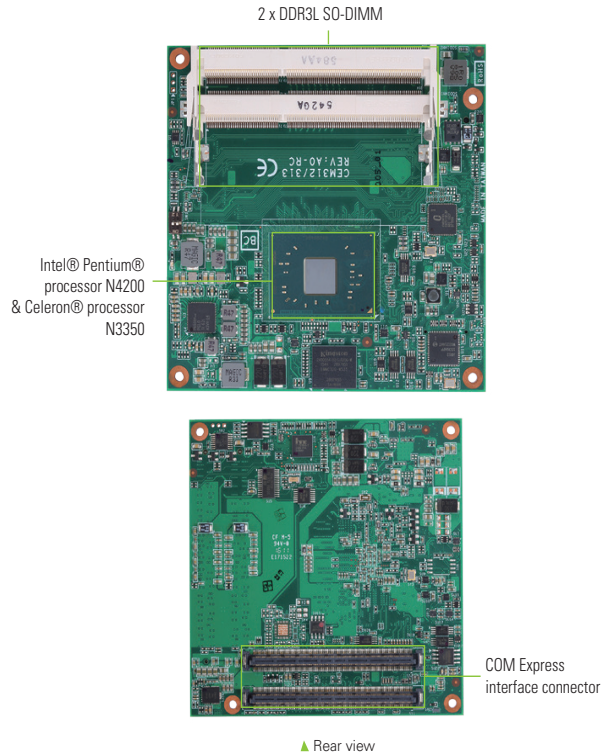


Core System

| | |
|---------------------|---|
| CPU | Intel® Quad/Dual core Pentium® processor N4200 & Celeron® processor N3350 onboard (Apollo Lake) |
| System Memory | 2 x 204-pin SO-DIMM DDR3L-1600, up to 8GB |
| Chipset | SoC integrated |
| BIOS | AMI uEFI (Legacy free) |
| SSD | eMMC 5.0 up to 64GB (optional) |
| Watchdog Timer | 65536 levels, 0 ~ 65535 sec. |
| Expansion Interface | 4 x PCIe lanes (3 lanes while internal LAN is connected) |
| Battery Lithium | N/A |
| Power Input | ATX: 12V, +5VSB AT: 12V |
| Size | 95 x 95 mm |
| Board Thickness | 2.0 mm |
| Temperature | -20°C ~ +70°C (-4°F ~ +158°F), operation |
| Operation Humidity | 10% ~ 95% relative humidity, non-condensing |
| Vibration | 3.5 Grms |

I/O

| | |
|---------------------|--|
| MIO | 1 x LPC interface 1 x SPI interface 2 x Serial TX/RX 1 x I ² C |
| SATA | 2 x SATA-600 |
| Hardware Monitoring | Yes |
| Ethernet | 1 port as 10/100/1000 Mbps supports Wake-on-LAN, PXE Boot ROM with Intel® i211AT |
| Audio | HD link interface to baseboard for Codec |
| USB | 4 x USB 3.0 8 x USB 2.0 |
| TPM | TPM 1.2 (optional) |
| SMBus | Yes |
| Digital I/O | 4 channels IN & 4 channels OUT |
| Smart Battery | Yes |



Display

| | |
|-------------------|--|
| Chipset | Intel® gen 9 Graphics Engine Supports Gfx - DX12.0, OCL 2.0, OGL 4.3 |
| Display Interface | 2 x DDI (DP, HDMI, DVI); VGA optional 1 x LVDS; 18/24-bit dual channel (eDP option) |

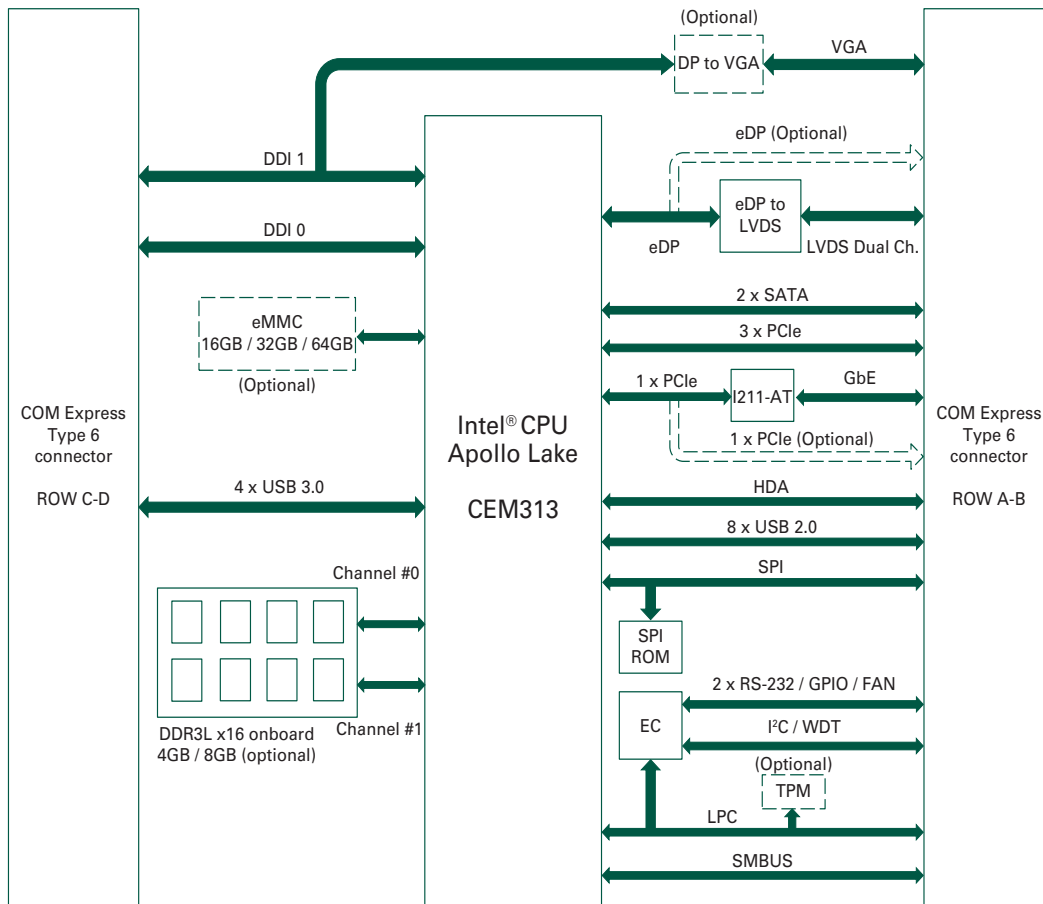
Packing List

Quick installation guide; user's manual/utility CD

Ordering Information

| Standard | |
|----------------------------------|---|
| CEM313PG-N4200 (P/N: E38D313100) | COM Express Type 6 compact module with Intel® Pentium® processor N4200, DDI/LVDS, USB 3.0 and GbE LAN |
| CEM313PG-N3350 (P/N: E38D313101) | COM Express Type 6 compact module with Intel® Celeron® processor N3350, DDI/LVDS, USB 3.0 and GbE LAN |
| Optional Accessories | |
| CEB94011 (P/N: E394011100) | CEB94011 COM Express Type 6 evaluation board |
| 7128D313000E | CEM313 heat spreader |
| 7118D313000E | CEM313 heat sink without fan |

Block Diagram



Assured Systems

Assured Systems is a leading technology company with over 1,500 regular clients in 80 countries, deploying over 85,000 systems to a diverse customer base in 12 years of business. We offer high-quality and innovative rugged computing, display, networking and data collection solutions to the embedded, industrial, and digital-out-of-home market sectors.

US

sales@assured-systems.com

Sales: +1 347 719 4508
Support: +1 347 719 4508

1309 Coffeen Ave
Ste 1200
Sheridan
WY 82801
USA

EMEA

sales@assured-systems.com

Sales: +44 (0)1785 879 050
Support: +44 (0)1785 879 050

Unit A5 Douglas Park
Stone Business Park
Stone
ST15 0YJ
United Kingdom

VAT Number: 120 9546 28
Business Registration Number: 07699660