

PPC-N157



15" Fanless Aluminum IP66 Protection Touch Panel PC with Intel® Core® i5-7200U/ i3-7100U Processor



Features

- 15" TFT XGA LED Panel with Projected Capacitive/Resistive Touch Display
- Embedded Intel® Core® i5-7200U 3.1 GHz Processor
- System Memory up to 32 GB DDR4 2133 SDRAM
- Supports Aluminum Front Cover IP66 Protection
- Internal SATA 2.5" HDD and M.2 Socket
- Panel and VESA Mounting

Applications

- Human Machine Interface (HMI)
- Factory / Manufacturing Automation
- ATM / Self-service / Kiosk Applications
- Vending Machine / Ticketing Machine

→ Packing List

Description
1 x PPC-N157
1 x Power Adapter & Power Cord
10 x Panel Mounting Screws

→ Optional Items

Part No.	Description
AWD-3G002	3G (HSPA+) Module + 1 Antenna, Full-size
AWD-4G001	4G (LTE) Module + 2 Antennas, Full-size
AWD-WF001	Wi-Fi 802.11 bgn (1T1R) + 1 Antenna (Single band), Half-size
AWD-WF003	Wi-Fi 802.11 abgn/ac/BT4.0 (2T2R) Module + 2 Antennas (Dual band), Half-size
AWD-WF004	Wi-Fi 802.11 b/g/n + BT4.0(1T1R) + 2 Antenna(Single band), M.2 2230 Type
AWD-WF005	Wi-Fi 802.11 a/b/g/n/ac/BT4.0 (2T2R) + 2 Antenna(Dual band), M.2 2230 type

→ Ordering Information

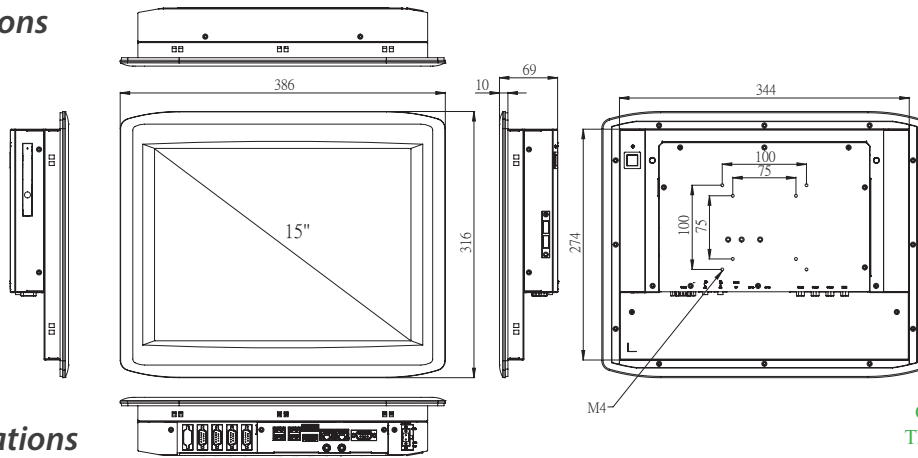
Part No.	Description
PPC-N157P-1A1	15" Fanless P-Cap Touch Panel PC with Intel® Core® i5-7200U, 2 DDR4, 2 GbE, 4 USB 3.0, 3 RS-232, 1 RS-232/422/485, 8bits GPIO, line out, mic in, 1 HDMI, 1DP, DC 9~36V, Phoenix Connector
PPC-N157P-2A1	15" Fanless P-Cap Touch Panel PC with Intel® Core® i3-7100U, 2 DDR4, 2 GbE, 4 USB 3.0, 3 RS-232, 1 RS-232/422/485, 8bits GPIO, line out, mic in, 1 HDMI, 1DP, DC 9~36V, Phoenix Connector
PPC-N157R-1A1	15" Fanless 5-wire Resistive Touch Panel PC with Intel® Core® i5-7200U, 2 DDR4, 2 GbE, 4 USB 3.0, 3 RS-232, 1 RS-232/422/485, 8bits GPIO, line out, mic in, 1 HDMI, 1DP, DC 9~36V, Phoenix Connector
PPC-N157R-2A1	15" Fanless 5-wire Resistive Touch Panel PC with Intel® Core® i3-7100U, 2 DDR4, 2 GbE, 4 USB 3.0, 3 RS-232, 1 RS-232/422/485, 8bits GPIO, line out, mic in, 1 HDMI, 1DP, DC 9~36V, Phoenix Connector

www.arestech.com.tw

PPC-N157

Arestech

→ Dimensions



→ Specifications

Cut out : 346*276 mm
Thickness Limit : 7 mm

	Model	PPC-N157P-1A1	PPC-N157P-2A1	PPC-N157R-1A1	PPC-N157R-2A1
Processor System	CPU	Intel® Core® i5-7200U	Intel® Core® i3-7100U	Intel® Core® i5-7200U	Intel® Core® i3-7100U
	Frequency	Dual-Core up to 3.1GHz	Dual-Core up to 2.4GHz	Dual-Core up to 3.1GHz	Dual-Core up to 2.4GHz
	L2 Cache	3 MB			
	System Chipset	N/A			
	BIOS	UEFI			
Memory	Technology	DDR4 2133 MHz SDRAM			
	Max. Capacity	32 GB			
	Socket	2 (260-pin SO-DIMM)			
Display	Panel Size	15" LED Panel			
	Resolution	1024 x 768 (XGA)			
	Viewing Angle	80 x 80 (H) x 80 x 80 (V)			
	Brightness	300 (cd/m2)			
	Color Support	16.7M			
	Contrast Ratio	600:1			
	Response Time	8 (msec)			
	DP	DP 1.2, Up to 3840 x 2160 @ 60Hz,			
	HDMI	HDMI 2.0a, up to 4096 x 2160 @ 60Hz			
	Multi Display	LCD + HDMI or LCD + DP			
Touchscreen	Touchscreen Type	Projected Capacitive		5-Wire Resistive	
	Surface Hardness	7 Mohs		3 Mohs	
	Durability	-		36 millions times	
	Transparency	90% (±3%)		80% (±3%)	
I/O Interface	USB	4 USB 3.0			
	Serial Port	4 COM (3 RS-232, 1 RS-232/422/485)			
	Digital I/O	8-pin Digital I/O (DB-15 connector)			
Ethernet	Expansion	1 miniPCIe with SIM, 1 M.2 2230 A/E Key (Wifi & BT)			
	Controller	Dual GbE, 10/100/1000 Mbps (Intel i219V, i211AT)			
Audio	Chipset	Realtek High Definition Audio (HD)			
	Connector	Line out, Mic In			
Storage	M.2	Supports 1 M.2 B/M Key 2280			
	SATA III	2 Internal 2.5" HDD/SSD (support RAID 0/1), Swappable HDD Box (Option)			
Power	Power Adaptor	Supports 9-36 V DC input			
	Connector Type	2-pin Terminal Block			
	Power Consumption (Typical)	1.22A @ 12V (14.68W)			
	Power Consumption (Max)	2.43A @ 12V (29.53W)			
	Battery	Lithium 3 V / 210 mAH			
Environment	Operating Temperature	-20~60° C (-4~140° F) w/ Extended Operation Temp. RAM & 2.5" SSD			
	Storage Temperature	-40~85° C (-40~185° F)			
	Humidity	5~95% @ 40° C, non-condensing			
	Vibration	5-500 Hz, 0.026 G ² /Hz, 2.16 Grms, X, Y, Z, 1 hour per axis			
	Certification	CE,FCC Class A			
General	Ingress Protection	Aluminum Front Cover IP66 Protection			
	Dimensions (L x W x H)	386 x 316 x 69 mm (15.19" x 12.44" x 2.71")			
	Weight	4.2 kg (9.25lb)			
	Operating System	Windows 10 IoT			

Tel: +886-2-8287-9168 Fax: +886-2-8287-2577 Email: service@arestech.com.tw

Assured Systems

Assured Systems is a leading technology company with over 1,500 regular clients in 80 countries, deploying over 85,000 systems to a diverse customer base in 12 years of business. We offer high-quality and innovative rugged computing, display, networking and data collection solutions to the embedded, industrial, and digital-out-of-home market sectors.

US

sales@assured-systems.com

Sales: +1 347 719 4508
Support: +1 347 719 4508

1309 Coffeen Ave
Ste 1200
Sheridan
WY 82801
USA

EMEA

sales@assured-systems.com

Sales: +44 (0)1785 879 050
Support: +44 (0)1785 879 050

Unit A5 Douglas Park
Stone Business Park
Stone
ST15 0YJ
United Kingdom

VAT Number: 120 9546 28
Business Registration Number: 07699660