

ViTAM-612P/R/G(H)

12.1" IP66 / IP69K Stainless Steel Panel PC

Industrial Panel PC

HMI Controller

Industrial Display Monitor

Box PC



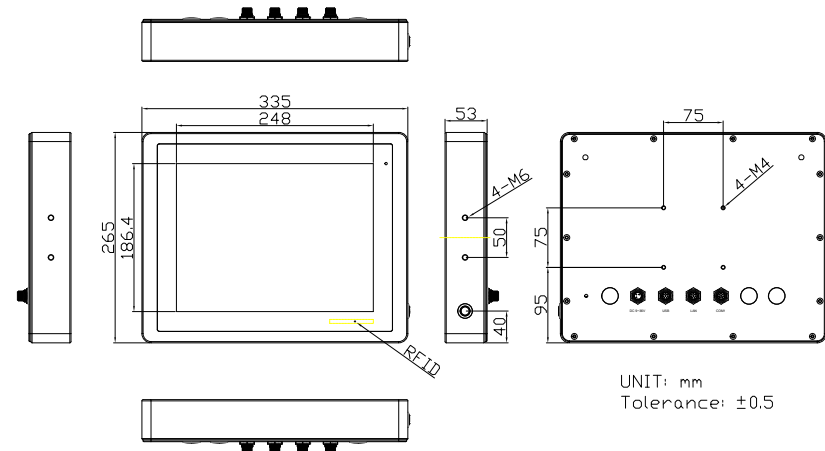
Features

- 12.1" New Generation Stainless Steel Panel PC
- Freescale i.MX6 DualLite 1.0GHz Onboard Processor
- True Flat Front Bezel Design and Grade 304 Stainless Steel Enclosure (Grade 316 for Option)
- IP66/IP69K Rated with M12 Connectors
- Support Resistive Touch, Projected Capacitive Touch, and Glass
- Touch on/off Button on the Side Edge for Hygienic Cleaning
- Support Ergonomic Versatile Mounting: Yoke Mounting / Space-saving VESA 75 x 75 mm Mounting

Specifications

System			
CPU	Freescale i.MX6 Dual Lite, ARM Cortex A9(2x Cores, 1.0GHz)		
System Chipset	SoC		
Memory	Onboard 1GB DDR3 SDRAM		
IO Port			
USB	1 x M12 8-pin for 2 x USB 2.0 with waterproof cover and chain		
Serial / Parallel	1 x M12 8-pin COM1, RS-232/422/485, default RS-232, with waterproof cover and chain		
LAN	1 x M12 8-pin for LAN with waterproof cover and chain (PoE for option)		
Others	1 x Touch on/off button on the side		
Power Connector	1 x M12 3-pin for DC power with waterproof cover and chain 1 x Power switch on the rear		
Option	2 x M12 blank for option 1 x CAN 1 x PoE		
Storage Space			
eMMC	Onboard 4GB eMMC NAND Flash		
Expansion			
Expansion slot	1 x Full-size mini-PCIe socket (PCIe + USB) for WIFI/BT/LTE(optional)		
RFID module	RFID module design on the front side(optional)		
Display			
Display Type	Standard	High Brightness Optional	
	12.1" TFT-LCD	12.1" TFT-LCD	
	default optional	default optional	default optional
Max. Resolution	800 x 600 1024 x 768	800 x 600 1024 x 768	800 x 600 1024 x 768
Max. Color	16.7M 16.2M	16.7M 16.2M	16.7M 16.2M
Luminance (cd/m ²)	450 500	1000 1000	1000 1000
View Angle	176(H)/176(V) 178(H)/178(V)	176(H)/176(V) 178(H)/178(V)	176(H)/176(V) 178(H)/178(V)
Contrast	1000:1 1000:1	1000:1 1000:1	1000:1 1000:1
Backlight Lifetime	50,000 hrs 30,000 hrs	50,000 hrs 70,000 hrs	50,000 hrs 70,000 hrs
Touch Screen			
Type	Resistive Touch (For R model) Projected Capacitive Touch (For P model) Glass (For G model)		
Interface	SPI(Resistive Touch) / USB(Projected Capacitive Touch)		
Light Transmission(%)	Resistive Touch : 80% / Projected Capacitive : 90%		
Power			
Power Input	DC 9~36V		
Power Consumption	ViTAM-612P:12W		

Dimensions



UNIT: mm
Tolerance: ±0.5

Mechanical	
Construction	304 Stainless steel chassis(default), 316 Stainless steel chassis(optional)
Mounting	VESA mount 75 x 75, Yoke mount (optional)
IP Rating	Total IP66/IP69K
Dimensions	335 x 265 x 53 mm
Net Weight	4.7 kg
Environmental	
Operating Temperature	0~50°C / -20~60°C (option)
Storage Temperature	-30~70°C
Humidity	10 to 95% @ 40°C, non- condensing
Certificate	CE/FCC Class A
Operating System Support	
Android 6.0.1 / Linux kernel 4.9.88:Yocto + Chromium Browser V67	
Ordering Information	
ViTAM-612P	12.1" SVGA IP66/IP69K stainless steel panel pc, Freescale i.MX6 Dual Lite ARM Cortex A9, 1GB DDR3 RAM, 4GB eMMC, projected capacitive touch, 9~36V DC power input with Adapter
ViTAM-612R	12.1" SVGA IP66/IP69K stainless steel panel pc, Freescale i.MX6 Dual Lite ARM Cortex A9, 1GB DDR3 RAM, 4GB eMMC, 5 wire resistive touch window, 9~36V DC power input with Adapter
ViTAM-612G	12.1" SVGA IP66/IP69K stainless steel panel panel pc, Freescale i.MX6 Dual Lite ARM Cortex A9, 1GB DDR3 RAM, 4GB eMMC, protection glass, 9~36V DC power input with Adapter
ViTAM-612PH	12.1" SVGA IP66/IP69K stainless steel panel pc, Freescale i.MX6 Dual Lite ARM Cortex A9, 1GB DDR3 RAM, 4GB eMMC, projected capacitive touch, 9~36V DC power input with Adapter, 1,000 nits LCD
ViTAM-612RH	12.1" SVGA IP66/IP69K stainless steel panel pc, Freescale i.MX6 Dual Lite ARM Cortex A9, 1GB DDR3 RAM, 4GB eMMC, 5 wire resistive touch window, 9~36V DC power input with Adapter, 1,000 nits LCD
ViTAM-612GH	12.1" SVGA IP66/IP69K stainless steel panel panel pc, Freescale i.MX6 Dual Lite ARM Cortex A9, 1GB DDR3 RAM, 4GB eMMC, protection glass, 9~36V DC power input with Adapter, 1,000 nits LCD

V 1.9

Industrial Panel PC

All specifications and photos are subject to change without notice.

All specifications and photos are subject to change without notice.

Industrial Panel PC

Assured Systems

Assured Systems is a leading technology company with over 1,500 regular clients in 80 countries, deploying over 85,000 systems to a diverse customer base in 12 years of business. We offer high-quality and innovative rugged computing, display, networking and data collection solutions to the embedded, industrial, and digital-out-of-home market sectors.

US

sales@assured-systems.com

Sales: +1 347 719 4508
Support: +1 347 719 4508

1309 Coffeen Ave
Ste 1200
Sheridan
WY 82801
USA

EMEA

sales@assured-systems.com

Sales: +44 (0)1785 879 050
Support: +44 (0)1785 879 050

Unit A5 Douglas Park
Stone Business Park
Stone
ST15 0YJ
United Kingdom

VAT Number: 120 9546 28
Business Registration Number: 07699660