

## FABS-110P/R/G(H)

10.1" Flat Front Panel IP66 Stainless Chassis Display

Industrial Panel PC

HMI Controller

Industrial Display Monitor

Box PC



### Features

- Stainless steel front bezel display
- Flat front panel touch screen
- IP66/IP69K compliant front bezel
- VGA/DP/DVI/HDMI input
- OSD on the rear side
- System power LED light
- High brightness LCD for option
- Wide range DC 9~36V power input



### Specifications

| I/O Port    |  |
|-------------|--|
| VGA         | 1 x VGA  |
| DVI         | 1 x DVI-D (share with HDMI)                                      |
| DP          | 1 x DP   |
| HDMI        | 1 x HDMI (share with DVI-D)                                      |
| Audio       | 1 x Audio line-in phone jack                                     |
| OSD Control | OSD at rear side   |
| Membrane    | On board controller, extendable key pad from connector           |
| Power       | 1 x 3-pin terminal block for DC 9~36V power input                |
| Others      | 1 x USB type B for touch control<br>Optional I/O:<br>1 x Speaker |

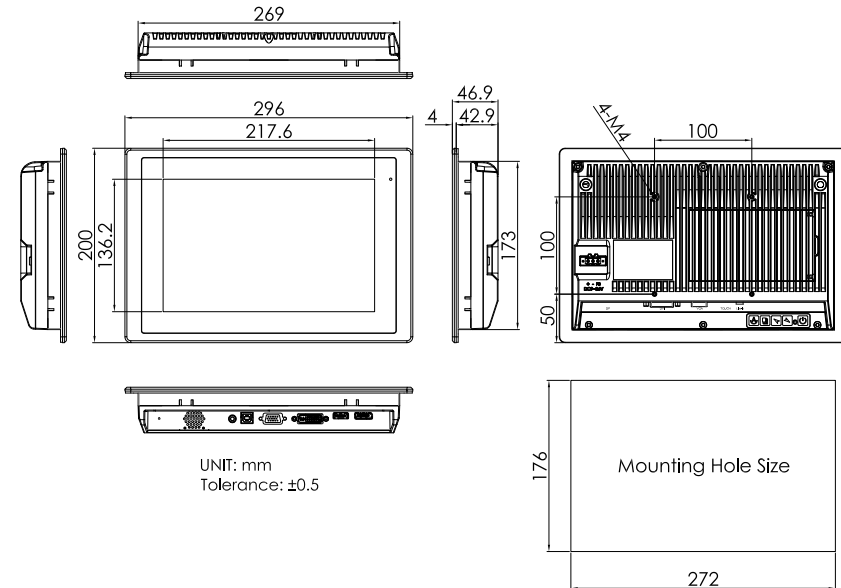
| Display                        | Standard        | High Brightness Optional |
|--------------------------------|-----------------|--------------------------|
| Display Type                   | 10.1" TFT-LCD   | 10.1" TFT-LCD            |
| Max. Resolution                | 1280 x 800      | 1280 x 800               |
| Max. Color                     | 16.7M           | 16.7M                    |
| Luminance (cd/m <sup>2</sup> ) | 350/300         | 1000                     |
| View Angle                     | 170(H) / 170(V) | 170(H) / 170(V)          |
| Contrast                       | 800:1           | 1000:1                   |
| Backlight Lifetime             | 25,000 hrs      | 50,000 hrs               |

| Touch Screen          |  |
|-----------------------|--|
| Type                  | Projected Capacitive Touch (for P model)<br>Resistive Touch (for R model)<br>Glass (for G model) |
| Interface             | USB  |
| Light Transmission(%) | Resistive Touch: over 80%<br>Projected Capacitive Touch: over 90%                                |

| Power             |               |
|-------------------|---------------|
| Power Input       | DC 9~36V      |
| Power Consumption | FABS-110P: 6W |

| Mechanical         |   |
|--------------------|---|
| Construction       | 304 Stainless steel front bezel (Default)<br>316L Stainless steel front bezel (Optional)<br>Aluminum die-casting back cover |
| Mounting           | Panel mount, VESA mount 100 x 100   |
| IP Rating          | IP66/IP69K compliant front bezel  |
| Dimensions (WxHxD) | 296 x 200 x 46.9 mm   |
| Net Weight         | 2.3 kg  |

### Dimensions



| Environmental         |   |
|-----------------------|---|
| Operating Temperature | 0~50°C / -20~60°C (option)  |
| Storage Temperature   | -30~70°C  |
| Humidity              | 10 to 95% @ 40°C, Non-condensing  |
| Certificate           | R/P/G/RH/PH/GH Model: CE/FCC Class A<br>P/G Model is compliance with EN 1672-2 (option) |
| Vibration             | 1G/5~500Hz (Random) / Operation   |
| Shock                 | 15G peak acceleration (11 msec. duration) / Operation                                   |

## Assured Systems

Assured Systems is a leading technology company with over 1,500 regular clients in 80 countries, deploying over 85,000 systems to a diverse customer base in 12 years of business. We offer high-quality and innovative rugged computing, display, networking and data collection solutions to the embedded, industrial, and digital-out-of-home market sectors.

### US

[sales@assured-systems.com](mailto:sales@assured-systems.com)

Sales: +1 347 719 4508  
Support: +1 347 719 4508

1309 Coffeen Ave  
Ste 1200  
Sheridan  
WY 82801  
USA

### EMEA

[sales@assured-systems.com](mailto:sales@assured-systems.com)

Sales: +44 (0)1785 879 050  
Support: +44 (0)1785 879 050

Unit A5 Douglas Park  
Stone Business Park  
Stone  
ST15 0YJ  
United Kingdom

VAT Number: 120 9546 28  
Business Registration Number: 07699660