

LMP-1802G-M12-10G-SFP-67-24 Series

18-Port Industrial M12 IP67 Waterproof Gigabit PoE+ Light Layer 3 Managed Ethernet Switch, with 16*10/100/1000Tx M12 Connectors (X-Coded) (30W/Port) and 2*1G/10G SFP Slots; 24~55VDC Power Input



Features

- ▶ 16-Port 10/100/1000Base-T(X) Ethernet with IEEE 802.3af/at compliant with 30W/Port
- ▶ 2-Port 1G/10G SFP Slots
- ▶ Multi-user account for security
- ▶ Bypass design for Daisy Chain Redundancy
- ▶ Configuration: http, https, CLI Command, Telnet, SNMP, SSH
- ▶ Network redundancy support: G.8032 ERPS v2 / STP / RSTP / MSTP
- ▶ Supports Static routes for routing function
- ▶ Supports RADIUS, TACACS+ authentication protocol
- ▶ Supports QoS, LACP bandwidth control
- ▶ Supports VLAN, SNMP v1/v2c/v3, ACL, IP source guard for Ethernet security
- ▶ PoE ping alarm function for PoE ports power recycle
- ▶ Redundant power inputs design
- ▶ Operating Temperature Range
 - STD: -10°C to 65°C, EOT: -40°C to 70°C
- ▶ 5-Year Warranty

INTRODUCTION

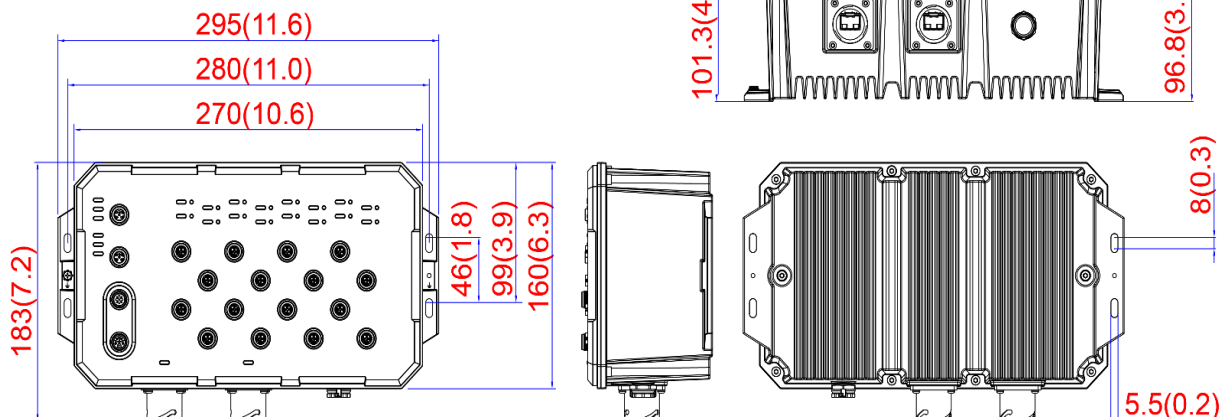
Antaira Technologies' LMP-1802G-M12-10G-SFP-67-24 Series is an 18-port managed gigabit Ethernet switch, which provides 16*10/100/1000 Base-T(X) with IEEE 802.3 af/at PoE compliant and 2*1G/10G fiber slots. LMP-1802G-M12-10G-SFP-67-24 Series is a fully manageable light layer 3 Ethernet switch series and supports power inputs redundancy. LMP-1802G-M12-10G-SFP-67-24 Series offers standardized network redundancy ITU-T G.8032 ERPS v2 (Ethernet Ring Protection Switch) protocol, providing <50ms recovery time to the network.

LMP-1802G-M12-10G-SFP-67-24 Series provides comprehensive network security and management capability by supporting Multi-user accounts, IGMP, GVRP, VLAN, QoS, SNMP, RADIUS, TACACS+, Aggregation (Static, LACP), SSH, SSL, IP source guard to create a highly-secured network environment. For power saving purposes, assuring PD, priority, and enhancing the security level of the network, LMP-1802G-M12-10G-SFP-67-24 Series also supports PoE scheduling and PoE output limit function to set up PoE output duration and watt at will.

LMP-1802G-M12-10G-SFP-67-24 Series is an M12 IP67 PoE+ industrial gigabit Ethernet switch that meets the high-reliability requirements demanded by industrial applications. Its M12 connectors ensure a tight and robust connection and it guarantees reliable operation on applications that are subject to high vibration and shock in dust, liquid, or gas-laden environments. Being able to operate under the standard temperature range from -10°C to 65°C or the extended temperature range from -40°C to 70°C, the LMP-1802G-M12-10G-SFP-67-24 Series can be installed in almost any harsh environment.

DIMENSIONS

Unit: mm (inch)



SPECIFICATIONS

Technology		Protection	
L2 Switching	Port/MAC/Protocol/IP Subnet-based VLAN, GARP/GVRP, Loop Guard, Link Aggregation static/LACP, BPDU guard, Error disable recovery, IGMP snooping v2/v3, MLD snooping v1/v2, IGMP filtering, IPMC throttling / filtering leave proxy, DHCP snooping, G.8032 v1/v2	Network Cable	10Base-T: 2-pair UTP/STP Cat. 3, 4, 5 cable EIA/TIA-568 100-ohm (100m) 100Base-TX: 2-pair UTP/STP Cat. 5 cable EIA/TIA-568 100-ohm (100m) 1000Base-T: 4-pair UTP/STP Cat.5/5E cable; EIA/TIA-568 100-ohm (100m)
L3 Switching	DHCP option82, static routes	Optical Cable	Multi-mode cable - 50/125um or 62.5/125um, Single-mode cable - 9/125um or 10/125um
QoS	802.1p Queueing, Input priority mapping, Storm control for Unicast/Multicast/Broadcast, Port/Queue/ACL policer, Port egress shaper, Queue egress shaper, DiffServ (DSCP), Tag remarking, Scheduler mode	Mechanical Characteristics	
Power Saving	ActiPHY, PerfectReach, IEEE 802.3az EEE power management	Housing	Metal, IP67 protection
Network Redundancy	STP/RSTP/MSTP, port trunk with LACP, ERPS v1/v2 (<50ms)	Dimensions	183 x 295 x 101.3 mm (W x H x D)
Configuration	Http, Https, Telnet, SSH, CLI, TFTP, SNMP v3	Weight	Unit: 9.39 lbs. Shipping: 11.18 lbs.
System / Diagnostics	Dual Image Protection, PING, PING6	Mounting	Wall mounting
Switch Properties		Power Requirement	
Switch Architecture	Back-Plane (Switching Fabric): 72Gbps	Input Voltage	24~55VDC Redundant Input
Priority Queues	8	Power Connection	Dual DC power inputs through M12 5-pin K-coded male connector
Processing Type	Store and forward	Relay Contact	24VDC, 1A resistive
Flow Control	IEEE 802.3x flow control, back pressure flow control	Overload Current Protection	Present
Transfer Rate	14,880pps for Ethernet Port 148,800pps for Fast Ethernet Port 1,488,000pps for Gigabit Ethernet Port 14,880,000pps for 10 Gigabit Ethernet Port	Reverse Polarity Protection	Present
Memory Buffer	4Mbits	PoE Pin Assignment	V+, V+, V-, V-, for pin 1, 2, 3, 6 (End-span, Mode A)
Jumbo Frame	9.6Kbytes	PoE Power Budget	240W
MAC Table Size	32K	System Power Consumption	30W
VLAN Group	4095	Environmental Limits	
IGMP Group	1024	Operating Temperature	STD: -10°C to 65°C EOT: -40°C to 70°C
Port Interface		Storage Temperature	-40°C to 85°C
Ethernet Port	16*10/100/1000 Base-T(X), 8-pin M12 X-Coded female connectors, auto negotiation speed, Full/Half duplex mode, and auto MDI/MDI-X connection	Ambient Relative Humidity	5% to 95%, (non-condensing)
SFP Port	2*1G/10G SFP Slots	Regulatory Approvals	
RS232 Serial Console	1*RS232 with M12 5-pin A-coded female connector	EMI	FCC Part 15 Subpart B Class A, CE EN55032/EN61000-6-4 Class A
Configuration Backup	1*USB 2.0 with M12 4-pin A-coded female connector for configuration backup/restore	EMS	CE EN55035/EN61000-6-2, IEC61000-4-2,3,4,5,6,8
DI	1* Digital Input (DI) with M12 5-Pin A-coded male connector: State 0: -30~8VDC / State 1: 10~30VDC, Max. input current: 8mA	Free Fall	IEC60068-2-32
Bypass Protection	Ethernet Port 8 and Port 16	Shock	IEC60068-2-27
LED Indicators	System: Power 1, Power 2, Master, Ring, Status, PoE Load PoE: On-connected to PD devices Ethernet ports: Speed/Link/Active SFP: Link/Active	Vibration	IEC60068-2-6
		Green	RoHS Compliant
		Certifications	FCC, CE
		Warranty	5 Years

ORDERING INFO

LMP-1802G-M12-10G-SFP-67-24	18-Port Industrial M12 IP67 Waterproof Gigabit PoE+ Light Layer 3 Managed Ethernet Switch, with 16*10/100/1000Tx M12 Connectors (X-Coded) (30W/Port) and 2*1G/10G SFP Slots, 24-55VDC Power Input, STD: -10°C to 65°C
LMP-1802G-M12-10G-SFP-67-24-T	18-Port Industrial M12 IP67 Waterproof Gigabit PoE+ Light Layer 3 Managed Ethernet Switch, with 16*10/100/1000Tx M12 Connectors (X-Coded) (30W/Port) and 2*1G/10G SFP Slots, 24-55VDC Power Input, EOT: -40°C to 70°C



Optional Accessories

CB-M12A5PF-5M	M12 A Code 5P Female to Open Wire, 5 Meter, Wire: 24 AWG, DI/DO Cable
CB-M12A4PM-USB-5M	M12 A Code 4P Male to USB 2.0 Type-A Female, 5 Meter, Wire: 28 AWG, USB Cable
CB-M12X8PM-RJ45-5M	M12 X Code 8P Male to RJ45 Socket, 5 Meter, Wire: 26 AWG, Ethernet Cable
CB-M12K5PF-5M	M12 K Code 5P Female to Open Wire, 5 Meter, Wire: 14 AWG, Power Cable
CB-M12A5PM-DB9-5M	M12 A Code 5P Male to DB9 Female, 5 Meter, Wire: 24 AWG, Console Cable

Assured Systems

Assured Systems is a leading technology company with over 1,500 regular clients in 80 countries, deploying over 85,000 systems to a diverse customer base in 12 years of business. We offer high-quality and innovative rugged computing, display, networking and data collection solutions to the embedded, industrial, and digital-out-of-home market sectors.

US

sales@assured-systems.com

Sales: +1 347 719 4508
Support: +1 347 719 4508

1309 Coffeen Ave
Ste 1200
Sheridan
WY 82801
USA

EMEA

sales@assured-systems.com

Sales: +44 (0)1785 879 050
Support: +44 (0)1785 879 050

Unit A5 Douglas Park
Stone Business Park
Stone
ST15 0YJ
United Kingdom

VAT Number: 120 9546 28
Business Registration Number: 07699660