



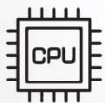
New Cross Field Rugged Tablet



ATC 63E



13.3" Tablet PC with
Intel 11th Gen. Tiger Lake Platform



CPU Intel 11th Gen. Tiger Lake



500 million pexiel high resolution front camera



Windows 11 Compatiable



IEC 60601 Certificated



13.3" FHD display with Corning® Gorilla® Glass 3 with multi-touch PCAP control



IP 65 dust and water production



BT 5.2 for seamless comm-unications



MIL STD 810G 1.2 ft drop compliant

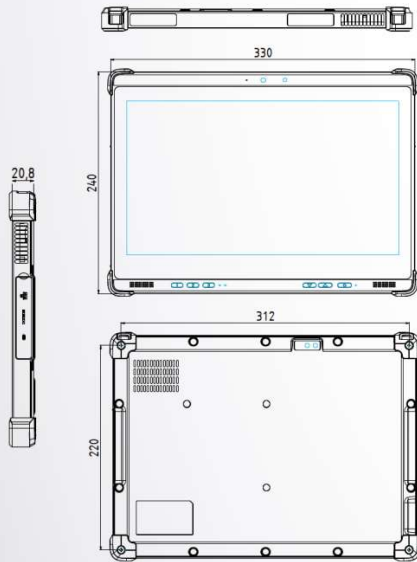


WiFi 6 support



MP Date: 2022/Q2

Dimension



System I/O



Specifications | ATC-63E SPEC

CPU	Intel Tiger Lake UP3 Processors , Core i5 I5-1145G7E		
OS	Window 10 IoT Enterprise LTSC (Windows 11 Compatible)		
Memory	8GB DDR4	Storage	256GB SSD
WLAN/	Intel AX210 , WIFI 6 , MIMO (Fast Roaming support)		
Bluetooth	Bluetooth® v5.2		
Display	13.3 inches , 1920x 1080 FHD , 400nits , IPS		
Touch	Pcap-touch , 10-finger , Direct bonded Corning Gorilla® Glass 3		
I/O	2 x Internal speaker (2W) , 1 x digital Mic. 1 x USB 3.1 Type-C support DP Alt Mode/Data 2 x USB 3.0 Type-A , 1 x HDM , 1 x RJ 45 (1000mbps) 1 x AIM dock 16-pin pogo connector (USB3.0). 1 x DC In , 1 x Combo Audio Jack		
Input Voltage	19V 4.74A		
Camera	5-MP Front camera with fixed focus 8-MP Rear camera with auto focus and LED flash		
Battery	10.8V / 4660mAh / 50.32Wh		
Adaptor	Medical Grade 90W Adaptor		
Buttons/LED	1 x Power Button , 2 x Volume Key(+/-) 3 x Programmable function Key , 3 x Charging / Wifi / HD LED indicator		
Sensor	Ambient light sensor(ALS) , G-sensor , Gyroscope		
Dimension	330 x 240 x 20.8 mm	Weight	1.8 Kg
Drop Tested	4ft / 120cm	IP Rating	IP65
Temperature	Operating: 0 ~ 40 °C (32°F~104°F) , Storage: -20 ~ 60 °C (-4°F~140°F)		
Security	vPro / TPM2.0 / TXT / TME supported		
Certification	CE / FCC / CB / IEC60601 / BSMI / NCC / Energy Star 8.0		

Assured Systems

Assured Systems is a leading technology company with over 1,500 regular clients in 80 countries, deploying over 85,000 systems to a diverse customer base in 12 years of business. We offer high-quality and innovative rugged computing, display, networking and data collection solutions to the embedded, industrial, and digital-out-of-home market sectors.

US

sales@assured-systems.com

Sales: +1 347 719 4508
Support: +1 347 719 4508

1309 Coffeen Ave
Ste 1200
Sheridan
WY 82801
USA

EMEA

sales@assured-systems.com

Sales: +44 (0)1785 879 050
Support: +44 (0)1785 879 050

Unit A5 Douglas Park
Stone Business Park
Stone
ST15 0YJ
United Kingdom

VAT Number: 120 9546 28
Business Registration Number: 07699660