

IMB-A160

Mini-ITX Motherboard

Spotlight Features

- AMD Embedded G-Series APU T56N/T48E/T40E
- AMD A50M Express Chipset
- Integrated AMD Radeon HD 6320 (T56N)/ HD 6250 (T48E, T40E) Graphics
- Supports DDR3 1333MHz, 2 x SO-DIMM, up to 8GB system memory
- 2 x COM (RS-232/422/485), 4 x COM (RS-232)
- 1 x D-Sub, 1x HDMI, 1 x Dual Channel 24-bit LVDS
- 6 x USB 2.0, 4 x SATA3
- 1 x mini-PCIe, 1 x mSATA, 1 x PCIe x4(x16)
- Gigabit LAN : 2 x Realtek RTL8111E
- 1 x TPM Header

Specifications

Processor System	
Dimension	Mini-ITX (6.7-in x 6.7-in)
CPU	AMD Embedded G-Series APU T56N/T48E/T40E Supports AMD Virtualization Technology (AMD-V)
Core Number	2
Max Speed	T56N : 1.65GHz (w/ Fan) / T48E : 1.4GHz (w/ Fan) T40E : 1.0GHz (Fanless)
L3 Cache	0
Chipset	AMD A50M
BIOS	UEFI
Expansion Slot	
PCI	0
Mini-PCIe	1 (Half size)
mSATA	1 (with USB 2.0)
PCIe	1 (x4), x16 add on card compliant
CFast Card Socket	0
Memory	
Technology	Single Channel DDR3 1066/1333 MHz SDRAM
Max.	8GB
Socket	2 x SO-DIMM
Graphics	
Controller	T56N : AMD Radeon HD 6320 / T48E : AMD Radeon HD 6250 T40E : AMD Radeon HD 6250
VRAM	Shared Memory
VGA	Supports max resolution 1920 x 1200
LVDS	Supports Dual Channel 24-bit, max resolution 1920 x 1200
HDMI	Supports HDMI 1.3, max resolution 1920 x 1080
DVI	No
Display Port	No
Multi Display	Yes
Ethernet	
Interface	10/100/1000 Mbps
Controller	Realtek RTL8111E
Connector	2 x RJ-45
SATA	
Max Data Transfer Rate	4 x SATA3 (6.0Gb/s)

Rear I/O	
VGA	1
HDMI	1
DVI-I/D	0
Display Port	0
Ethernet	2
USB	6 (USB 2.0 compliant)
Audio	2 (Mic-In, Line-Out)
Serial	2 (RS-232/422/485)
PS/2	1 (Combo)

Internal Connector	
USB	6 (USB 2.0 compliant, Header), 1 Vertical Type A USB Connector
LVDS/Inverter	1/1
VGA	0
Serial	4 (RS-232)
SATA	4 x SATA3 (6.0Gb/s)
m-SATA	1
Mini-PCIe	1
Parallel	1
IrDA	0
GPIO	4 x GPI + 4 x GPO
SATA PWR Output Con	1
Speaker Header	1

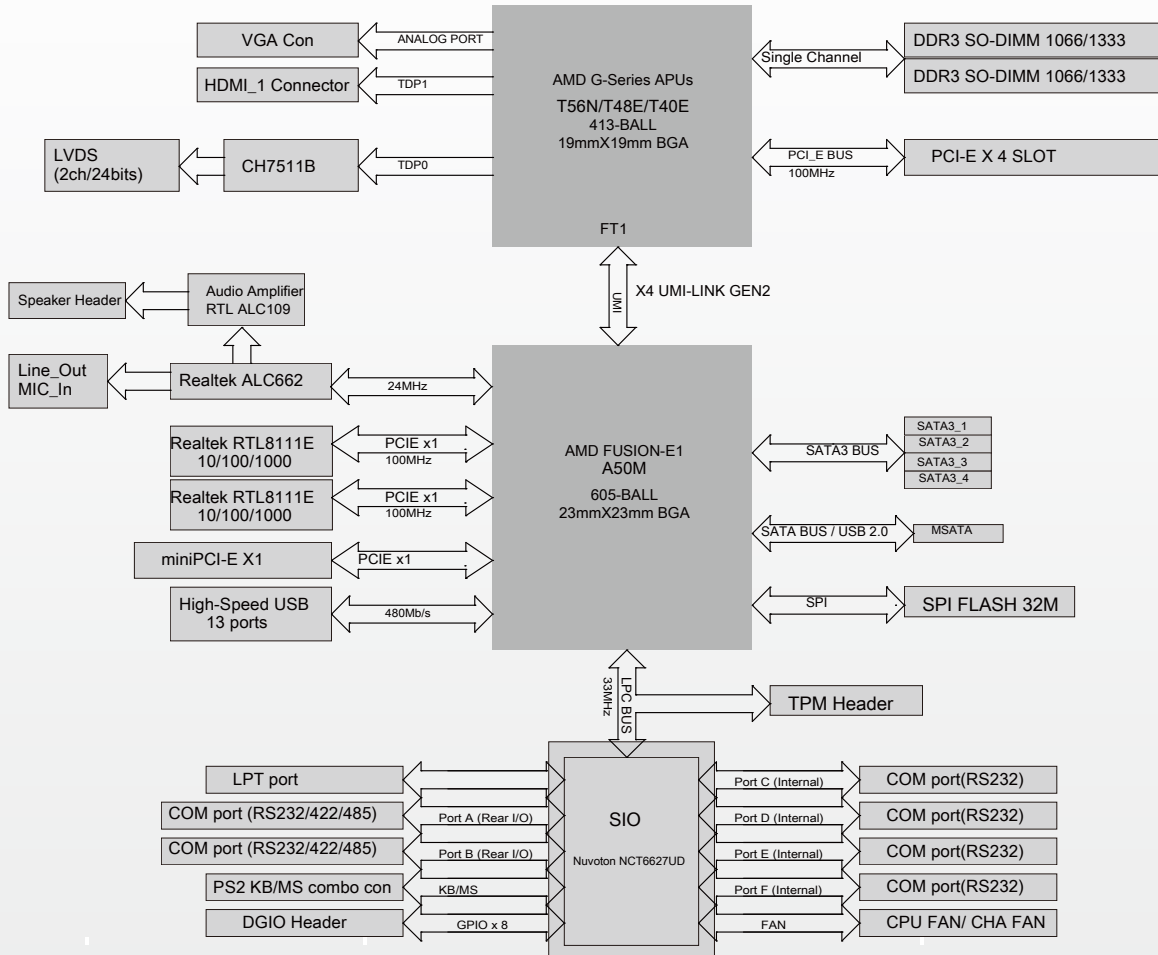
Watchdog Timer	
Output	Output from super I/O to drag RESETCON#
Interval	256 Segments, 0,1,2...255 Sec/Min

Power Requirements	
Input PWR	12V DC-In (4-pin ATX PWR Con)
Power On	AT/ATX Supported AT : Directly PWR on as power input ready ATX : Press button to PWR on after power input ready

Environment	
Operating Temperature	0°C – 60°C

The specification is subject to change without notice. The brand and product names are trademarks of their respective companies. Any configuration other than original product specification is not guaranteed.

Board Diagram



IPC Motherboards Focused Markets

ASRock IMB solutions can be widely used for industrial applications, such as process control, data acquisition, and so on. IMB-PCs are typically panel mounted and often incorporate touch screens for user interaction.



Assured Systems

Assured Systems is a leading technology company with over 1,500 regular clients in 80 countries, deploying over 85,000 systems to a diverse customer base in 12 years of business. We offer high-quality and innovative rugged computing, display, networking and data collection solutions to the embedded, industrial, and digital-out-of-home market sectors.

US

sales@assured-systems.com

Sales: +1 347 719 4508
Support: +1 347 719 4508

1309 Coffeen Ave
Ste 1200
Sheridan
WY 82801
USA

EMEA

sales@assured-systems.com

Sales: +44 (0)1785 879 050
Support: +44 (0)1785 879 050

Unit A5 Douglas Park
Stone Business Park
Stone
ST15 0YJ
United Kingdom

VAT Number: 120 9546 28
Business Registration Number: 07699660