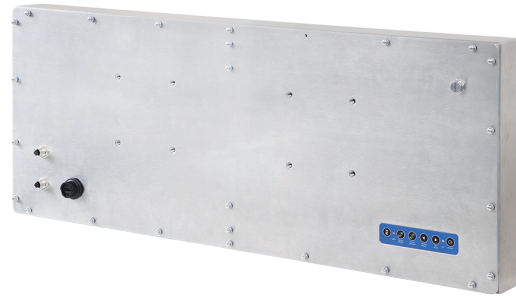


# TPM-3628XB

**Arestech**

IP66 Protected 28.6" Stainless Steel Industrial Monitor without Touch



## Features

- IP66 Protected Stainless Steel 316 Flat Panel Design
- 28.6" LCD, without Touch, Resolution 1920 X 540
- High Brightness 1000nits, Remote OSD Control
- VGA and HDMI port (IP67 Connector)
- Support VESA mounting

## Applications

- Food & Beverage Processing Industrial
- Pharmaceutical and Biopharmaceutical Equipment
- Embedded HMI Display System
- Factory Manufacturing Automation
- Chemical, Gas & Oil Critical Environment

## → Packing List

Description
1 x TPM-3628XB

## → Optional Items

Part No.	Description
APW-60M12V-01	12V, 60W, 5A, 5-pin M12 Connector (US)
APW-60M12V-02	12V, 60W, 5A, 5-pin M12 Connector (EU)
AKT-VGA2M12-M	M12 Connector to DB15 Male Cable, 2m
AKT-HDMI2IP67	IP67 Connector to HDMI Cable, 2m

## → Ordering Information

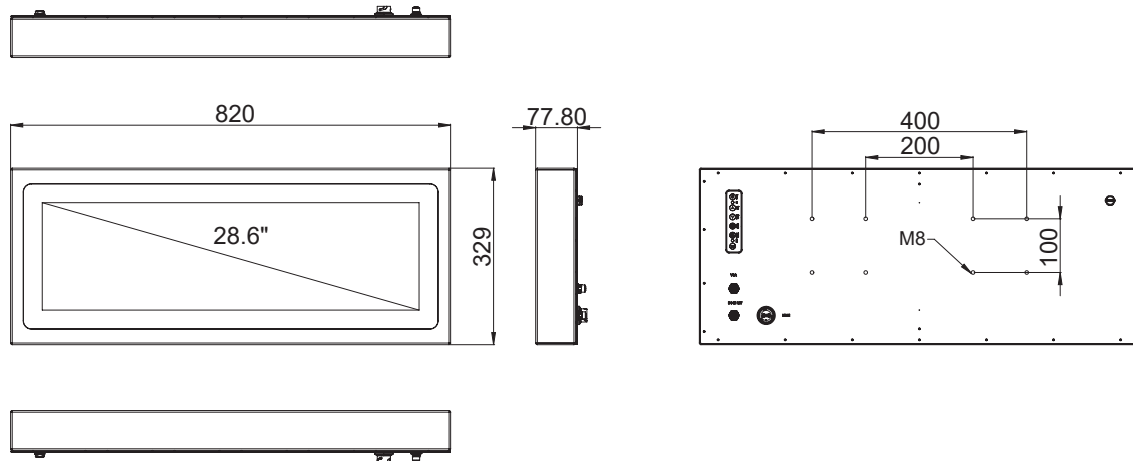
Part No.	Description
TPM-3628XB-B6A1	28.6" 16:4.5 (1920 x 540), 1000nits, Stainless Steel 316 Full IP66 Protection, without touch screen, 1 VGA, 12V DC input, M12 connector, 1 HDMI IP67 Connector

[www.arestech.com.tw](http://www.arestech.com.tw)

# TPM-3628XB

**Arestech**

## → Dimensions



## → Specifications

Model		TPM-3628XB-B6A1
LCD Panel	Panel Size	28.6"
	Aspect Ratio	16:4.5
	Resolution	1920 x 540
	Viewing Angle	89 x 89 (H) x 89 x 89 (V)
	Brightness	1000 (cd/m2)
	Contrast Ratio	1000:1
	Life Time	50,000 hrs
Touchscreen	Type	N/A
	Surface Hardness	N/A
	Transparency	N/A
	On/Off Button	Yes
I/O Interface	Video Interface	1 VGA (M12 Connector), 1 HDMI (IP67 Waterproof Connector)
	Touch Interface	N/A
	Audio	N/A
	Speaker	N/A
	Others	N/A
OSD Control	Function Key	6 Keys: Menu, Up, Down, Auto Adjust, Monitor Power on/off, Funtion Key 1 RS-232 (M12 Connector), Remote OSD Control (Option)
Power	Power Input	12V DC power input, single power source
	Power Connector	M12 connector
	Power Consumption	55W
Mounting	VESA Mount	400 mm x 100 mm; 200 mm x 100 mm
	Panel Mount	N/A
	Others	N/A
Environment	Storage Temperature	-20~60° C (-4~140° F)
	Humidity	TBD
	Vibration	TBD
	Shock	Full System IP66 Protection , Stainless Steel 316
General	Certification	TBD
	Material, Surface Finish	Stainless Steel 316, Brush Finished
	True Flat	Yes
	Ingress Proctetion	Full System IP66 Protection
	Dimensions (W x H x D)	820 mm x 329mm x 77.80 mm (32.28" x 12.95" x 3.06")
	Net Weight	22kg (48.50 lb )
	Operating System	Windows 7/8.1/10, WES7-E, WES7-P, WE8S, Linux Fedora, Ubuntu

Tel: +886-2-8287-9168 Fax: +886-2-8287-2577 Email: [service@arestech.com.tw](mailto:service@arestech.com.tw)

## Assured Systems

Assured Systems is a leading technology company with over 1,500 regular clients in 80 countries, deploying over 85,000 systems to a diverse customer base in 12 years of business. We offer high-quality and innovative rugged computing, display, networking and data collection solutions to the embedded, industrial, and digital-out-of-home market sectors.

### US

[sales@assured-systems.com](mailto:sales@assured-systems.com)

Sales: +1 347 719 4508  
Support: +1 347 719 4508

1309 Coffeen Ave  
Ste 1200  
Sheridan  
WY 82801  
USA

### EMEA

[sales@assured-systems.com](mailto:sales@assured-systems.com)

Sales: +44 (0)1785 879 050  
Support: +44 (0)1785 879 050

Unit A5 Douglas Park  
Stone Business Park  
Stone  
ST15 0YJ  
United Kingdom

VAT Number: 120 9546 28  
Business Registration Number: 07699660