

GOT110-316 NEW

10.4" XGA TFT Fanless Touch Panel Computer with Intel® Celeron® Processor N3350

Features

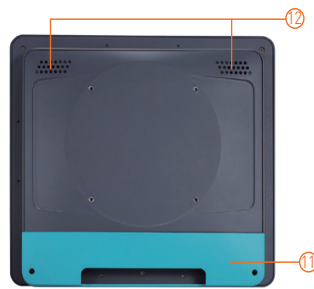
- 10.4" XGA TFT LCD display with LED backlight
- Fanless design with Intel® Celeron® processor N3350
- 2 GbE LANs, 4 USB and 2 COM
- IP65 rated front bezel and IPX1 rated back cover
- Peripheral support including MSR, RFID, Wi-Fi, Smart card reader and barcode scanner
- External AT/ATX mode selection switch
- Easy maintenance design for storage and memory
- Supports optional panel mount/wall mount/VESA arm/desktop stand
- Adjust RS-232/422/485 setting via BIOS
- Aluminum cover for the better thermal dissipation and reliability



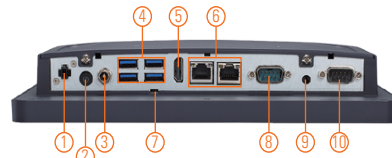
1. Power LED
2. HDD LED
3. Brightness adjust +/-
4. Display on/off
5. Volume on/off



▲ Side view



▲ Rear view



1. Remote power switch
2. Power button
3. Screw connector for adapter
4. USB 3.0 x 4
5. HDMI x 1
6. Ethernet x 1
7. AT/ATX switch
8. COM 1 (RS-232/422/485)
9. Audio (Line-out)
10. COM 2 (RS-232)
11. Cable cover (optional)
12. Speaker



Introduction

The GOT110-316 is a 10.4" Intel® Celeron®-based fanless touch panel computer. In response to market demand, this panel computer is a cost effective solution. It adopts a modern, super sleek and fanless design and is equipped with a 10.4" TFT LCD as well as Intel® Celeron® processor N3350 dual core up to 2.40 GHz. For wireless network connection, the GOT110-316 offers 2 PCI Express Mini Card slots. By just plugging in the mini card WLAN card, customers can have instant access to wireless LAN. Besides, it can be integrated with some peripheral including barcode scanner, RFID, MSR, Wi-Fi, Bluetooth.

Super Slim t Design

The GOT110-316 is a super slim touch panel computer for space-limited environment with its thickness of 43 mm which make it installed everywhere.

PoE Solution

GOT110-316 provide PoE solution which make system operated with only one Ethernet cable that provide data and power to the system. This infrastructure allows to centralized power management, therefore it is a cost-effective solution for access control, home and industrial automation.

Aluminum Back Chassis with Excellent Thermal Solution

With Axiomtek's patent for plastic plus aluminum mechanism design, the GOT110-316 can dissipate the heat easily and keep the system operation stable.

Specifications

Front Bezel	IP65, NEMA 4 rugged protection, plastic front bezel
LCD Panel	Display Type 10.4" XGA TFT LCD with LED backlight
	Brightness (cd/m ²) 350 nits (XGA)
	Resolution 1024 x 768
	Viewing Angel (H/V) 160°/160°
Main System	CPU Intel® Celeron® processor N3350 2 cores (up to 2.40 GHz)
	System Memory 1 x 204-pin DDR3L-1600 MHz SO-DIMM, up to 8GB
	BIOS AMI UEFI BIOS
	Storage 1 x 2.5" SATA HDD 1 x mSATA
	Watchdog Timer 255 levels, 0 ~ 255 sec.
	Onboard Graphics Integrated in Intel® GFX

Specifications

I/O Connector	1 x RS-232/422/485 (default RS-232) 1 x RS-232 2 x 10/100/1000 Mbps Ethernet 4 x USB 3.0 1 x screw type connector for power 1 x power button (ATX) 1 x remote power switch 1 x Line-out 1 x ATX/AT selectable switch 1 x HDMI
Expansion Interface	1 x full-size PCI Express Mini Card slot with mSATA 1 x full-size PCI Express Mini Card slot with SIM
Touchscreen	Projected capacitive multi-touch 5-wire flat resistive touch
Power Supply	1. DC version: 12/19 ~ 24 VDC adapter cable 2. AC version: 100 ~ 240 VAC-DC, 60W power adapter
Power Consumption	24W
Dimension	259.43 mm (10.21") (W) x 43.5 mm (1.71") (D) x 232.73 mm (9.16") (H)
Packing Dimensions	415 mm (16.34") (W) x 100 mm (3.94") (D) x 315 mm (12.4") (H)
Weight (net/gross)	1.8 kg (3.96 lb)/3 kg (6.61 lb)
Environment	Operating temperature: 0°C ~ +50°C (+32°F ~ +122°F) Relative humidity: 20% ~ 90% @ +40°C; non-condensing Operation vibration: 2G, 5 ~ 500Hz, random for SSD
Certificate	CE FCC

Ordering Information

Standard	
GOT110-316-J	10.4" XGA fanless touch panel computer with Intel® Celeron® processor N3350, 5-wire flat resistive touch AC-DC 60W power adapter and EMI Class A (screw type connector)

Optional

Wi-Fi + Bluetooth kit
Panel mount kit
Wall mount kit
Stand kit
RFID kit
MSR card reader kit
Barcode scanner kit
AC to DC adapter cable

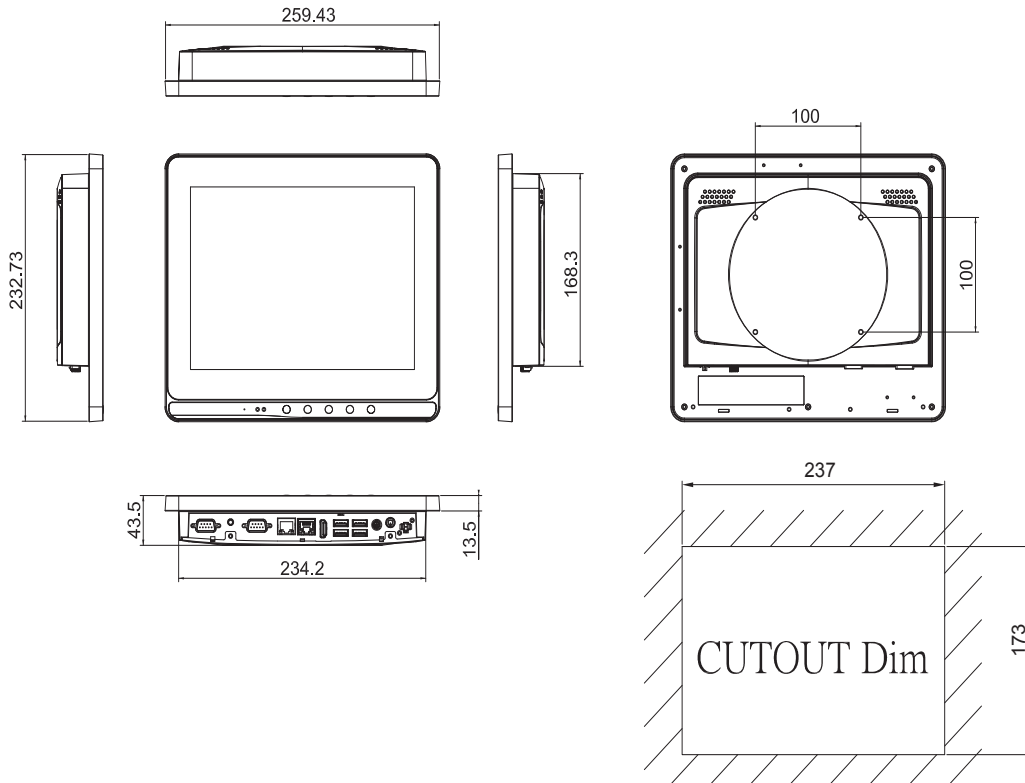
* Specification and certifications are based on requirements and may vary.

Optional OS Installation

Windows® 10



Dimensions



1 Fanless Touch Panel Computers

2

3

4

5

6

7

8

9

Assured Systems

Assured Systems is a leading technology company with over 1,500 regular clients in 80 countries, deploying over 85,000 systems to a diverse customer base in 12 years of business. We offer high-quality and innovative rugged computing, display, networking and data collection solutions to the embedded, industrial, and digital-out-of-home market sectors.

US

sales@assured-systems.com

Sales: +1 347 719 4508
Support: +1 347 719 4508

1309 Coffeen Ave
Ste 1200
Sheridan
WY 82801
USA

EMEA

sales@assured-systems.com

Sales: +44 (0)1785 879 050
Support: +44 (0)1785 879 050

Unit A5 Douglas Park
Stone Business Park
Stone
ST15 0YJ
United Kingdom

VAT Number: 120 9546 28
Business Registration Number: 07699660