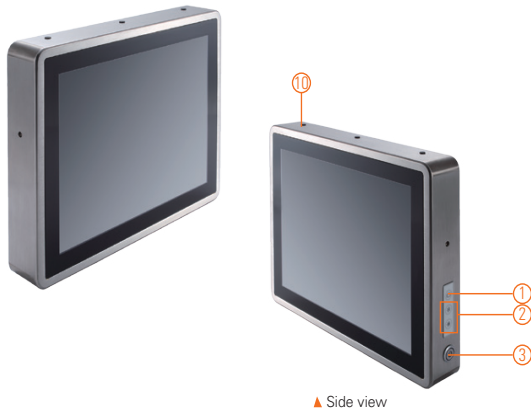


GOT815-834

15" XGA TFT IP66 & IP69K-rated Stainless Steel Fanless PCT (or Resistive Touch)
Panel Computer with Intel® Atom® Processor E3827 and Flat Bezel Design (-20°C to +55°C)

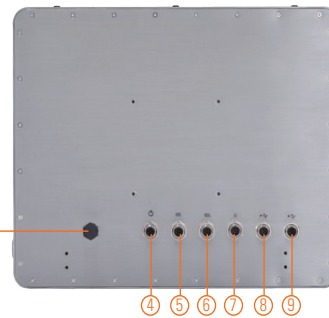
Features

- 15" XGA TFT LCD flat bezel projected capacitive (or resistive) touch
- IP66/IP69K-rated (NEMA 4X) water/dust/corrosion-proof design
- Full stainless steel enclosure with type 316
- -20°C to +55°C wide operating temperature range
- Fanless system with Intel® Atom® processor E3827
- Optional Wi-Fi/3G kit for wireless network connectivity
- 9 ~ 36 VDC wide range power input
- M12 type I/O connectors for harsh environments



▲ Side view

waterproof, dust proof
ventilation valve



- | | |
|-------------------------------------|---|
| 1. Backlight switch | 6. COM 2 (RS-232/422/485) (A-coded) |
| 2. Brightness adjust | 7. Ethernet (X-coded) |
| 3. Power switch (ATX) | 8. USB 2.0 x 2 (A-coded) |
| 4. DC power connector (A-coded) | 9. USB 2.0 x 2 (A-coded) |
| 5. COM 1 (RS-232/422/485) (A-coded) | 10. Wi-Fi/3G antenna x 3
(optional, only for RF version) |



Introduction

The 15-inch GOT815 is specially designed for food processing applications. Its IP66-rated stainless steel housing protects entire system from damage of water, powder and dust. It also supports a wide operating temperature range from -20°C to +55°C. Thus, this robust unit is best suited for extreme humidity, dusty or wet spaces in food factories or kitchens and more harsh applications.

Full IP66 and IP69K Compliance

The GOT815 adopts a water/dust-proof housing design with five IP66-rated connectors, M12 I/O connectors and IP69K compliance that ensures the product's ability to resist ingress of high temperature and high pressure water. It passed entire system IP66 test by SGS, and verified salt mist test. Additionally, it was tested by a spray nozzle with high temperature water (+80°C), a flow rate of 14 ~ 16 L/min and a nozzle hold with distance 10 ~ 15 cm away from the device at angles of 0°, 30°, 60° and 90° for 30 seconds. The GOT815 is qualified to meet harsh environment applications.

Wide Temp. (-20°C to +55°C) & Anti-vibration (2G) Design

The GOT815 featuring fanless and noiseless design supports a wide operating temperature range from -20°C to +55°C. Besides, the patent of anti-vibration for SSD ensures system reliability and stability.

Specifications

Enclosure	Stainless type 316	
LCD Panel	Display Type	15" XGA TFT LCD
	Brightness (cd/m ²)	420 nits
	Resolution	1024 x 768
	Viewing Angle (H/V)	160°/160°
Main System	CPU	Intel® Atom® processor E3827 1.75 GHz (Bay Trail)
	Chipset	SoC Integrated
	System Memory	1 x 204-pin DDR3L-1333 SO-DIMM dual channel, up to 8GB
	BIOS	AMI with Axiomtek standard features; such as, SmartView, Ethernet Boot ROM (RPL & PXE), customer CMOS backup
	Storage	1 x 2.5" SSD 1 x CFast™
	Watchdog Timer	255 levels, 1 ~ 255 sec.
	Onboard Graphics	Integrated in Intel® GFX

Specifications

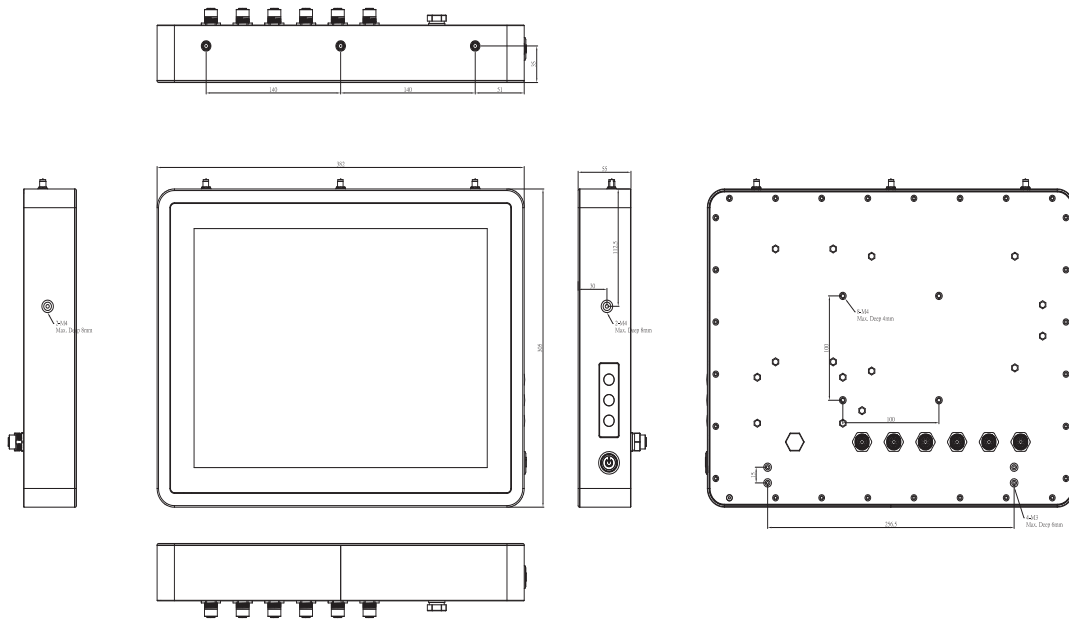
I/O Connector	2 x RS-232/422/485 (default RS-232, A-Coded) 4 x USB 2.0 (A-Coded) 1 x 10/100/1000 Mbps Ethernet (X-Coded)
Expansion Interface	2 x PCI Express Mini Card slot
Touchscreen	5-wire resistive touch or projected capacitive multi-touch
Power Supply	Power input 9 ~ 36 VDC
Power Consumption	30 W
Dimensions	382 mm (15.4") (W) x 55 mm (2.17") (D) x 305 mm (12.01") (H)
Packing Dimensions	510 mm (20.07") (W) x 186 mm (7.32") (D) x 532 mm (20.94") (H)
Weight (net/gross)	5.2kg (11.46lb)/ 8.4kg (18.51lb)
Environment	Operating temperature: -20°C ~ +55°C (-4°F ~ +131°F) Relative humidity: 10% ~ 95% @ 40°C, non-condensing Operation vibration: 2G, 5 ~ 500Hz, random for 2.5" SSD 2G, 5 ~ 500Hz, random for CompactFlash™
Certificate	CE

* W.T.: Wide Temperature. All W.T. supported products have to be sorted by Axiomtek.

Optional Accessories

594B8122100E	Water-proof COM cable (1.8 m)
594B8122820E	Water-proof USB cable (1.8 m)
594B8152710E	Water-proof LAN cable (1.8 m)
50966D45010E	Adapter 24V 120W. M12 A-code 5P. LTE120ES
822B8120070E	GOT812 keyboard bracket (w/o keyboard)

Dimensions



Ordering Information

GOT815-834-C-DC	15" XGA fanless IP66-rated stainless steel touch panel computer with Intel® Atom® E3827, projected capacitive touch screen, flat bezel design and 9 ~ 36 VDC power input
GOT815-834-C-RF-DC	15" XGA fanless IP66-rated stainless steel touch panel computer with Intel® Atom® E3827, projected capacitive touch screen, flat-bezel design, 9 ~ 36 VDC power input and Wi-Fi or 3G
GOT815-834-R-DC	15" XGA fanless IP66-rated stainless steel touch panel computer with Intel® Atom® E3827, 5-wire flat resistive touch screen, flat bezel design and 9 ~ 36 VDC power input
GOT815-834-R-RF-DC	15" XGA fanless IP66-rated stainless steel touch panel computer with Intel® Atom® E3827, 5-wire flat resistive touch screen, flat-bezel design, 9 ~ 36 VDC power input and Wi-Fi or 3G

*Specifications and certifications may vary according to various options.

Optional EOS Installation

WES 7
WE8S

Optional OS Installation

Windows® 7
Windows® 8/8.1
Windows® 10



Assured Systems

Assured Systems is a leading technology company with over 1,500 regular clients in 80 countries, deploying over 85,000 systems to a diverse customer base in 12 years of business. We offer high-quality and innovative rugged computing, display, networking and data collection solutions to the embedded, industrial, and digital-out-of-home market sectors.

US

sales@assured-systems.com

Sales: +1 347 719 4508
Support: +1 347 719 4508

1309 Coffeen Ave
Ste 1200
Sheridan
WY 82801
USA

EMEA

sales@assured-systems.com

Sales: +44 (0)1785 879 050
Support: +44 (0)1785 879 050

Unit A5 Douglas Park
Stone Business Park
Stone
ST15 0YJ
United Kingdom

VAT Number: 120 9546 28
Business Registration Number: 07699660