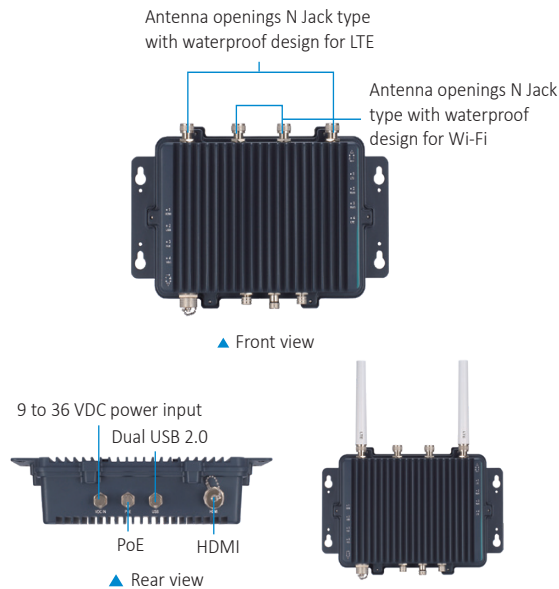


# AIE800-904-FL-DC NEW

Rugged IP67-rated Fanless Edge AI System with NVIDIA® Jetson Xavier™ NX, HDMI, 1 GbE PoE, 2 USB, and 9 to 36 VDC



## Features

- IP67-rated design for outdoor edge AI applications
- NVIDIA® Jetson Xavier™ NX with 384-core NVIDIA Volta™ GPU with 48 Tensor Cores
- High AI computing performance for GPU accelerated processing
- -30°C to +50°C operating temperature range
- 9 to 36 VDC wide range power input
- Features M12 lockable I/Os
- 1 IEEE 802.3af Gigabit PoE (15W)

NVIDIA® Jetson Xavier™ NX will be available until 2026\*  
The official end of life notice will be sent at least 8 months before the last shipment.



## Specifications

Standard Color	Black
Construction	Aluminum die-casting and heavy-duty steel, IP67
AI Accelerator	NVIDIA® Jetson Xavier™ NX
CPU	6-core NVIDIA Carmel ARM® v8.2 64-bit CPU 6 MB L2 + 4 MB L3
GPU	384-core NVIDIA Volta™ GPU with 48 Tensor Cores
System Memory	8GB 128-bit LPDDR4x onboard
System I/O Outlet	1 x Dual USB 2.0 (M12) 1 x Gigabit PoE (IEEE 802.3af; 15W) (M12) 1 x C3 HDMI with FHD supported 1 x 9 to 36VDC power input (M12) 4 x N-jack antenna opening with water proof design
Watchdog Timer	Built-in Xavier NX
Storage	Onboard 16GB eMMC (via Jetson Xavier™ NX) 1 x M.2 Key B 2242 with PCIe x2 NVMe SSD slot *The bootable device is supported by eMMC only
Expansion Interface	1 x Full-size PCI Express Mini Card slot (USB + PCI Express signal) 1 x SIM slot
Power Input	9 to 36VDC
Operating Temperature	-30°C to +50°C (-22°F to +122°F)
Humidity	10% - 95% , non-condensing
Vibration Endurance	3 Grms with SSD (5 to 500Hz, X, Y, Z directions)
Dimensions	366.83 mm (14.44") (W) x 235 mm (9.25") (D) x 83.8 mm (3.3") (H)
Weight (net/gross)	4 kg (8.19 lb)/5.37 kg (11.84 lb)
Certifications	CE, FCC Class A
OS Support	Linux Ubuntu 18.04 or later

## Packing List

- 1 x Screws pack
- 1 x Thermal pad kit

## Power Protection

### DC Adapter

- OVP (over voltage protection)
- OCP (over current protection)
- SCP (short circuit protection)

## Ordering Information

### Standard

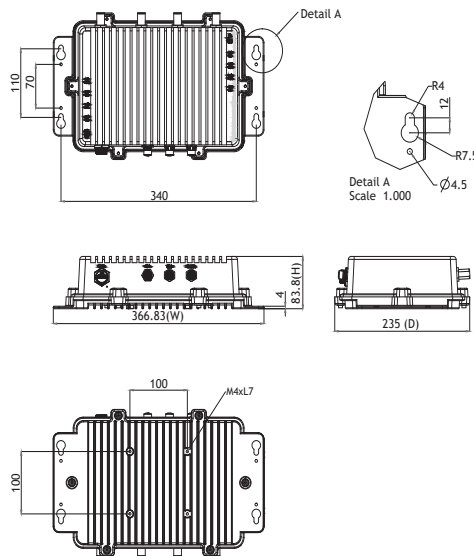
AIE800-904-FL-DC Rugged IP67-rated fanless edge AI system with NVIDIA® Jetson Xavier™ NX, 1 HDMI, 1 GbE PoE, 2 USB, and 9 to 36 VDC power input

### Optional

M.2 NVMe SSD	128GB or above
	Power cable
	USB 2.0 cable
	LAN/PoE cable
	HDMI cable
	Wi-Fi module kit
	LTE module kit

\* Specifications and certifications may vary based on different requirements.

## Dimensions



## Assured Systems

Assured Systems is a leading technology company with over 1,500 regular clients in 80 countries, deploying over 85,000 systems to a diverse customer base in 12 years of business. We offer high-quality and innovative rugged computing, display, networking and data collection solutions to the embedded, industrial, and digital-out-of-home market sectors.

### US

[sales@assured-systems.com](mailto:sales@assured-systems.com)

Sales: +1 347 719 4508  
Support: +1 347 719 4508

1309 Coffeen Ave  
Ste 1200  
Sheridan  
WY 82801  
USA

### EMEA

[sales@assured-systems.com](mailto:sales@assured-systems.com)

Sales: +44 (0)1785 879 050  
Support: +44 (0)1785 879 050

Unit A5 Douglas Park  
Stone Business Park  
Stone  
ST15 0YJ  
United Kingdom

VAT Number: 120 9546 28  
Business Registration Number: 07699660