

VP101-M8M

NXP i.MX 8M Dual/Quad Cortex
ARM-Based In-vehicle Touch Panel PC



KEY FEATURES



ARM-Based System

Support Android 9.0 and Linux



IP Rating

IP65 Front Panel Protection



Rich I/O Connectivity

1 GbE, 4 COM, 1 CAN Bus, 2 USB 3.1 Gen1



Superior Viewing Ability

High Brightness 1200 cd/m²

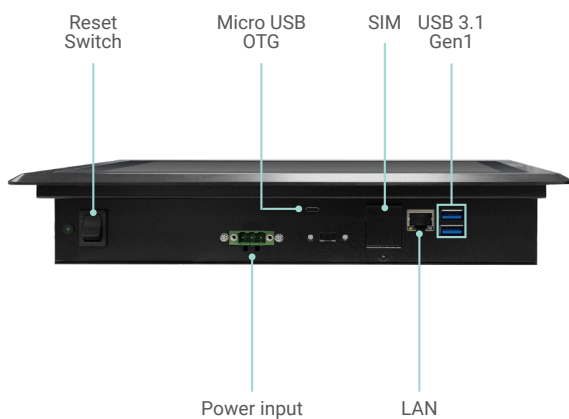


Smart Power Ignition Control

Power delay and protection time setting



PANEL

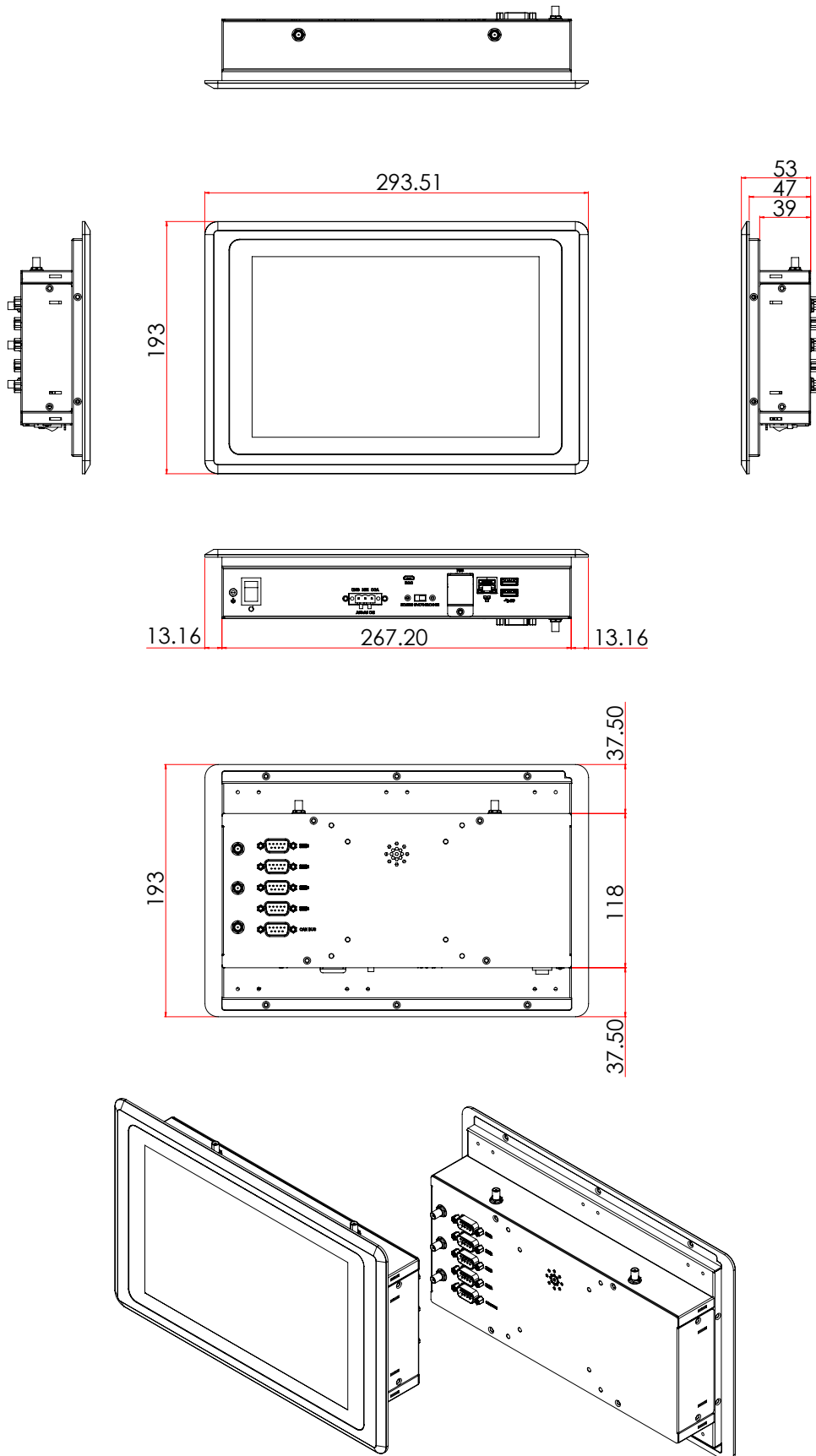


Bottom View



Back View

DIMENSIONS



SPECIFICATION

SYSTEM	Processor	NXP i.MX 8M Dual/Quad Cortex-A53
	Max. Speed	1.3GHz
MEMORY	Technology	On board Memory 2GB/4GB (Default 2GB) Single Channel LPDDR4 up to 3200 MHz
	Display	10.1" PCAP TFT
DISPLAY & TOUCH SCREEN	Max. Resolution	1280 x 800
	Brightness	1200 cd/m ²
		500 cd/m ²
STORAGE	Internal	Support eMMC 5.1 16GB on board (default) Support up to 64GB (optional)
EXPANSION	Interface	1 M.2 2242/3042 B Key (USB3.1 Gen1), Nano SIM Slot support 1 M.2 2230 E Key (PCIe x1/USB2.0)
AUDIO	Audio Codec	SGTL5000
	Speaker	3W x 1
ETHERNET	Controller	AR8035
SENSOR	Sensor	6 axis IMU (3 Accelerometer + 3 Gyroscope)
LED	Indicators	Power
I/O	Ethernet	1 x GbE
	Serial	1 x RS-232/422/485 (COM4)
		1 x RS-232(TX,RX,RTS,CTS) (COM2)
		2 x RS-232(TX,RX) (COM1/COM3)
		1 x CAN Bus, DB-9
USB	2 x USB 3.1 Gen1 1 x OTG, micro USB	
Buttons	1 x Reset switch, 1 re-download switch	
POWER	Type	9~36V DC Power input, with ACC/IGN control
OS SUPPORT	Linux	Yocto 2.5 (optional)
	Android	Android 9.0 (default)
MECHANISM	Construction	Aluminum + SGCC
	IP Rating	IP65 Front Panel Protection
	Mounting	Panel Mount /VESA Mount
	Dimensions (W x H x D)	294 x 193 x 53 mm
	Weight	1.67kg
ENVIRONMENT	Operating Temp.	-20 to 70°C
	Storage Temp.	-30 to 80°C
	Relative Humidity	10 to 90% RH (non-condensing)
STANDARDS AND CERTIFICATIONS	Shock	OP: Half-sine, 3G @ 11ms Non-OP: Half-sine, 5G @ 11ms
		Vibration
	Certifications	CE, FCC, E-Mark (E24), RoHS, UKCA (ongoing)

Assured Systems

Assured Systems is a leading technology company with over 1,500 regular clients in 80 countries, deploying over 85,000 systems to a diverse customer base in 12 years of business. We offer high-quality and innovative rugged computing, display, networking and data collection solutions to the embedded, industrial, and digital-out-of-home market sectors.

US

sales@assured-systems.com

Sales: +1 347 719 4508
Support: +1 347 719 4508

1309 Coffeen Ave
Ste 1200
Sheridan
WY 82801
USA

EMEA

sales@assured-systems.com

Sales: +44 (0)1785 879 050
Support: +44 (0)1785 879 050

Unit A5 Douglas Park
Stone Business Park
Stone
ST15 0YJ
United Kingdom

VAT Number: 120 9546 28
Business Registration Number: 07699660