



FANLESS EMBEDDED SYSTEMS

RCO-6011E series

Superior fanless embedded system with LGA 1151 for Intel® 6th/7th Gen Processor and Q170 PCH, 2x LAN, 1x PCIe x16 Expansion



FEATURES

- LGA 1151 socket for 6th/7th Gen. Intel® Core™ i7/i5/i3 or Pentium® / Celeron® Desktop Processor
- Intel® Q170 chipset
- 2x 260-pin DDR4 SODIMM. max up to 32GB
- Triple independent display supported by 1x DVI-I and 2x DisplayPort
- 2x Intel® GbE supporting Wake-on-LAN and PXE
- 4x 2.5" SATA HDD bay and 2x mSATA supporting RAID 0, 1, 5, 10
- 4x full-size mini PCIe for communication or expansion modules, 4x SIM socket
- 1x PCIe x16 expansion
- 4x RS-232/422/485 (w/ 2x internal), 6x USB 3.0, 2x USB 2.0, TPM 2.0
- 8x DI + 8x DO with isolation
- 9 to 48VDC wide range power input supporting AT/ATX mode
- -25°C to 70°C extended operating temperature

SPECIFICATIONS

System	
Processor	Support 6 th & 7 th Gen Intel® Core™ i7 / i5 / i3 / Pentium® / Celeron® Desktop Processor (LGA 1151)
	<ul style="list-style-type: none"> - 7th Gen Intel® Core™ i7-7700T, Quad Core, 8MB cache, up to 3.8 GHz - 7th Gen Intel® Core™ i5-7500T, Quad Core, 6MB cache, up to 3.3 GHz - 7th Gen Intel® Core™ i3-7101TE, Dual Core, 3MB Cache, 3.4 GHz - 6th Gen Intel® Core™ i7-6700TE, Quad Core, 8MB cache, up to 3.4 GHz - 6th Gen Intel® Core™ i5-6500TE, Quad Core, 6MB Cache, up to 3.3 GHz - 6th Gen Intel® Core™ i3-6100TE, Dual Core, 4MB Cache, 2.7 GHz - Intel® Pentium® G4400TE, Dual Core, 3MB Cache, 2.4 GHz - Intel® Celeron® G3900TE, Dual Core, 2MB Cache, 2.3 GHz
System Chipset	Intel® Q170 Express Chipset
LAN Chipset	GbE1: Intel® I210-AT (Support Wake-on-LAN and PXE) GbE2: Intel® I219LM (Support Wake-on-LAN and PXE) GbE3-GbE10: Intel® I210-AT (Optional)
Audio Codec	Realtek ALC888S
System Memory	2x 260-Pin DDR4 1866/2133MHz SODIMM. Max. up to 32GB
BIOS	AMI 128Mbit SPI BIOS
Watchdog	Software Programmable Supports 1-255 sec. System Reset
TPM	TPM 2.0
Display	
DVI	1x DVI-I
DisplayPort	2x DisplayPort
Multiple Display	Triple Display
Storage	
SSD/HDD	2x Internal 2.5" SATA HDD Bay 2x Removable 2.5" SATA HDD Bay Support RAID 0, 1, 5, 10
mSATA	2x mSATA (Shared by 2x Mini PCIe)
SIM Socket	2x External SIM socket 2x Internal SIM socket
Expansion	
Mini PCI Express	4x Full-size Mini PCIe
PCI Express	1x PCIe x16
4-Port GbE (Optional)	Up to two 4-port GbE module with Intel® I210-AT Chipset RJ-45 or M12 connector with PoE option One Universal I/O Slot occupied for one 4-port module
Card Dimension	235 (L) x 112 (H) mm

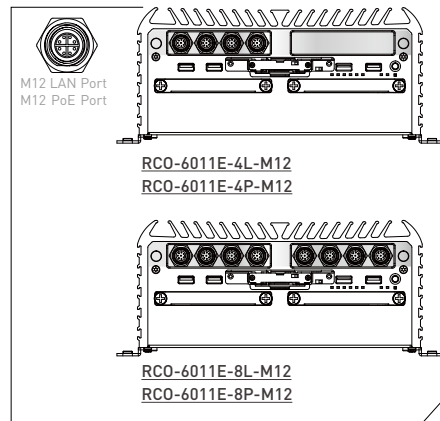
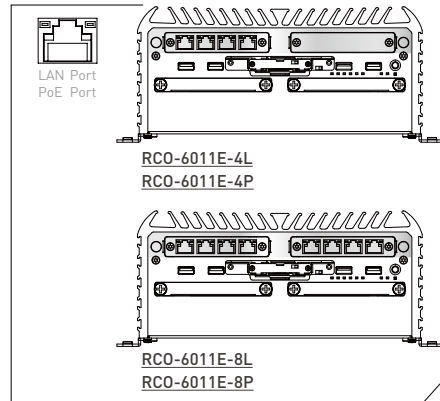
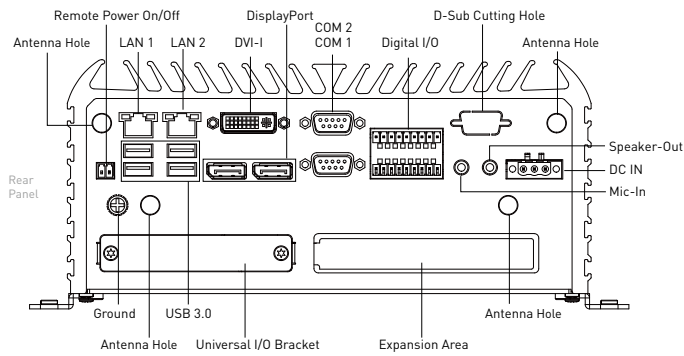
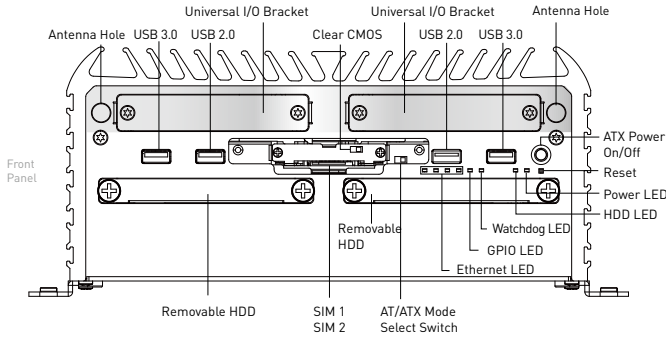
Operating System	
Windows	6 th Gen CPU: Windows 10, Windows 7, WES7 7 th Gen CPU: Windows 10
Linux	Linux kernel 4.X
I/O	
COM	2x RS-232/422/485 2x RS-232/422/485 (internal)
USB	6x USB 3.0, 2x USB 2.0
LAN	2x RJ45
Audio	1x Mic-in, 1x Speaker-out
DIO	8 in / 8 out (Isolated)
Universal I/O Bracket	2x Universal I/O Bracket (By mini PCIe interface)
Others	6x WiFi Antenna Holes 1x Power Switch, 1x AT/ATX Switch, 1x Remote Power On/Off
Power	
Power Mode	AT, ATX
Power Supply Voltage	9-48VDC
Power Connector	3-pin Terminal Block
Power Adaptor	Optional AC/DC 24V/5A, 120W Optional AC/DC 24V/9.2A, 220W
Power Protection	OVP (Over Voltage Protection) OCP (Over Current Protection) Reverse Protection
Environment	
Operating Temp.	-25°C to 70°C
Storage Temp.	-30°C to 85°C
Relative Humidity	10% to 95% (non-condensing)
Vibration	With SSD: 5 Grms, 5 - 500 Hz, 0.5 hr/axis With HDD: 1 Grms, 5 - 500 Hz, 0.5 hr/axis
Shock	With SSD: 50G, half sine, 11ms
Standards / Certification	CE, FCC Class A
Physical	
Construction	Extruded Aluminum with Heavy Duty Metal
Dimension	240 (W) x 261 (D) x 107 (H) mm
Weight	4.67 - 6.20 kg
Mounting	Wall Mounting

* All specifications and photos are subject to change without notice.



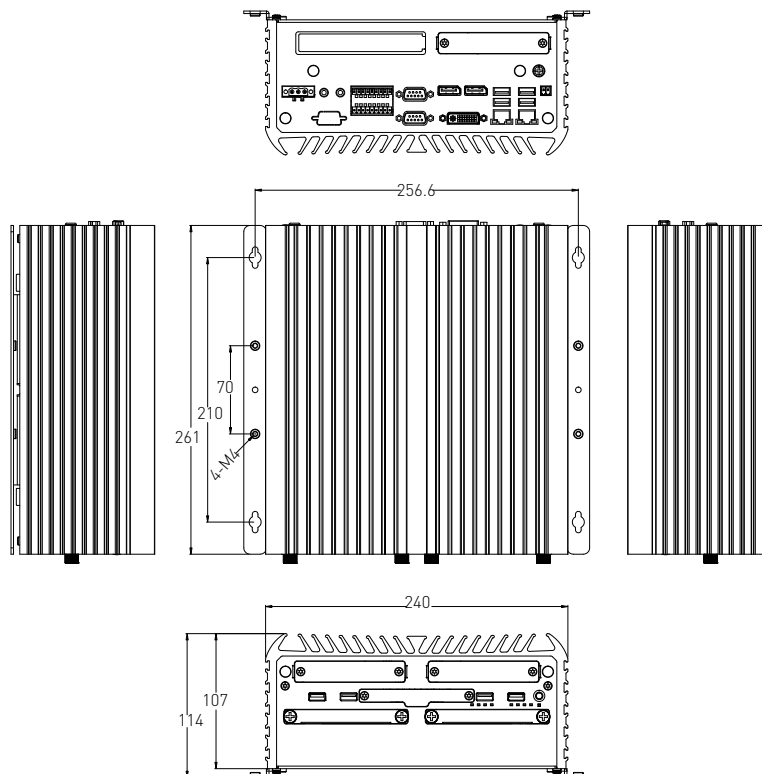
RCO-6011E series

EXTERNAL I/O MECHANICAL LAYOUT



DIMENSION

Unit: mm





RCO-6011E series

ORDERING INFORMATION

MODEL NO.	DESCRIPTION
1-E09A12002	Adapter AC/DC 24V 5A 120W with 3pin Terminal Block Plug 5.0mm Pitch
1-E09A22102	Adapter AC/DC 24V 9.2A 220W with 3pin Terminal Block Plug 5.0mm Pitch
1-TPCD00005	Power Cord, 3-pin US Type, 180cm
1-TPCD00002	Power Cord, European Type
1-TPCD00001	Power Cord, 3-pin UK Type, 180cm

PACKING LIST

- 1x RCO-6000 Series Embedded System
- 1x Wall Mount Kit
- 1x Accessory Kit

AVAILABLE MODELS

MODEL NO.	DESCRIPTION
RCO-6011E	Superior fanless embedded system with LGA 1151 for Intel® 6 th /7 th Gen Processor and Q170 PCH, 2x LAN, 1x PCIe x16 Expansion
RCO-6011E-4L	Superior fanless embedded system with LGA 1151 for Intel® 6 th /7 th Gen Processor and Q170 PCH, 6x LAN, 1x PCIe x16 Expansion
RCO-6011E-4L-M12	Superior fanless embedded system with LGA 1151 for Intel® 6 th /7 th Gen Processor and Q170 PCH, 2x LAN, 4x M12 LAN, 1x PCIe x16 Expansion
RCO-6011E-8L	Superior fanless embedded system with LGA 1151 for Intel® 6 th /7 th Gen Processor and Q170 PCH, 10x LAN, 1x PCIe x16 Expansion
RCO-6011E-8L-M12	Superior fanless embedded system with LGA 1151 for Intel® 6 th /7 th Gen Processor and Q170 PCH, 2x LAN, 8x M12 LAN, 1x PCIe x16 Expansion
RCO-6011E-4P	Superior fanless embedded system with LGA 1151 for Intel® 6 th /7 th Gen Processor and Q170 PCH, 2x LAN, 4x PoE, 1x PCIe x16 Expansion
RCO-6011E-4P-M12	Superior fanless embedded system with LGA 1151 for Intel® 6 th /7 th Gen Processor and Q170 PCH, 2x LAN, 4x M12 PoE, 1x PCIe x16 Expansion
RCO-6011E-8P	Superior fanless embedded system with LGA 1151 for Intel® 6 th /7 th Gen Processor and Q170 PCH, 2x LAN, 8x PoE, 1x PCIe x16 Expansion
RCO-6011E-8P-M12	Superior fanless embedded system with LGA 1151 for Intel® 6 th /7 th Gen Processor and Q170 PCH, 2x LAN, 8x M12 PoE, 1x PCIe x16 Expansion



C&T Solution Inc.

17F-2, No. 700, Zhongzheng Rd., Zhonghe Dist., New Taipei City 235, Taiwan (R.O.C.)
Tel: +886-2-7731-7888 Fax: +886-2-7731-7855
Email: info@candtsolution.com

www.candtsolution.com

Assured Systems

Assured Systems is a leading technology company with over 1,500 regular clients in 80 countries, deploying over 85,000 systems to a diverse customer base in 12 years of business. We offer high-quality and innovative rugged computing, display, networking and data collection solutions to the embedded, industrial, and digital-out-of-home market sectors.

US

sales@assured-systems.com

Sales: +1 347 719 4508
Support: +1 347 719 4508

1309 Coffeen Ave
Ste 1200
Sheridan
WY 82801
USA

EMEA

sales@assured-systems.com

Sales: +44 (0)1785 879 050
Support: +44 (0)1785 879 050

Unit A5 Douglas Park
Stone Business Park
Stone
ST15 0YJ
United Kingdom

VAT Number: 120 9546 28
Business Registration Number: 07699660