



# FPC-7914-HDBT

4K@100M TX HDBaseT™ with PoH Box PC with Intel® 6<sup>th</sup> & 7<sup>th</sup> Generation Core™ i7/i5/i3 Processor



## Features

- Various Video Interfaces (DVI-D+HDMI+ HDBaseT) supported
- Optional Wi-Fi or LTE Wireless Connectivity supported
- Rugged Design for Shock/Vibration Protection
- Memory support up to 32GB
- Complies with the HDBaseT™ technology carry USB,4K Display, Power over 100M w/o any signal loss
- Support HDMI and USB outputs over a single run of Cat.5e/6/7 cable up to 100M
- Support standard PoH from the HDBaseT™ output(PSE) up to 60W
- Easier distribution of displays with Daisy-Chainable HDBaseT™ technology

Embedd Computing

### System

CPU	Intel® 6 <sup>th</sup> & 7 <sup>th</sup> generation Core™i7/i5/i3 processor in LGA1151 socket
Memory	2 x 260-pin DDR4 SO-DIMM sockets, supporting 2133 MHz SDRAM up to 32GB
Chipset	Intel® H110
Graphics	Integrated Intel® HD Graphics
ATA	2 x Serial ATA ports with 600MB/s HDD transfer rate
LAN Chipset	2 x Intel® WGI211AT GbE controllers 1 x Intel® WGI219LM GbE controller w/o iAMT
Watchdog Timer	1~255 levels reset

### I/O

Serial Port	4 x RS-232 ports via one DB-44 female connector. (COM1 and COM2 are RS-232 /422/485 configurable)
Selectable Port	1 x DB25 connector for DIO (8 in/8 out) port or LPT port (either one, default is DIO)
USB Port	6 x USB 2.0 ports (Front side)* 4 x USB 3.0 ports (Rear side)
LAN	3 x RJ-45 ports for GbE 1 x RJ-45 port for HDBaseT
Video Port	1 x HDMI 1 x DVI-D female connector for digital video output *Support 2 independent display
Audio	Mic-in/Line-out
Expansion Bus	1 x Mini-card socket interconnected with SIM card socket for optional Wi-Fi or LTE module (Full size) 1 x SIM socket/1 x CFAST socket (outside accessible)

### HDBaseT Transmitter

Processor	VS2010TX HDBaseT KVM HDMI USB Extender
-----------	--

\*Two of the USB ports are USB3.0 connector but only USB2.0 Signal at front side

Function	Transmit HDMI, USB signal and up to 60W power via 1 x RJ-45 port over up to 100M Cat5e/6/7 cable.
----------	---

### Environmental

Operating Temp.	-20 ~ 55°C (-4 ~ 131°F), ambient w/ air flow, for 65W TDP CPU need to configure TDP to 35W via BIOS setting
Storage Temp.	-40 ~ 85°C (-40 ~ 185°F)
Operating Humidity	10 ~ 95% @ 55°C (non-condensing)
Vibration	3 Grms/5~500Hz/random operation w/ SSD
Shock	Operating 40G (11ms), Non-operating 60G with SSD

### Qualification

Certification	CE, FCC Class A
---------------	-----------------

### Power Requirement

Power Input	DC 19~24V input (w/ 4-pin terminal block, combining remote power on/off switch)
Power Consumption	Max. 125W (w/ PoH, w/o I/O card)

### Storage

Type	2 x 2.5" drive bays 1 x CFAST socket, can be outside accessible
------	--

### Mechanical

Construction	Aluminum alloy
Mounting	Wall-mount
Weight	5.3 kg (11.68 lb)
Dimensions (W x H x D)	195 x 90 x 268 mm (7.68" x 3.54" x 10.55")

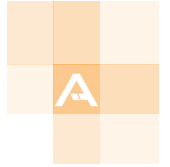
### OS Support

Windows 10 IOT (For 6<sup>th</sup>/7<sup>th</sup> Gen Intel CPU)  
Windows 7 / Windows 8.1 (For 6<sup>th</sup> Gen Intel CPU)  
Linux (Kernal 4.x)

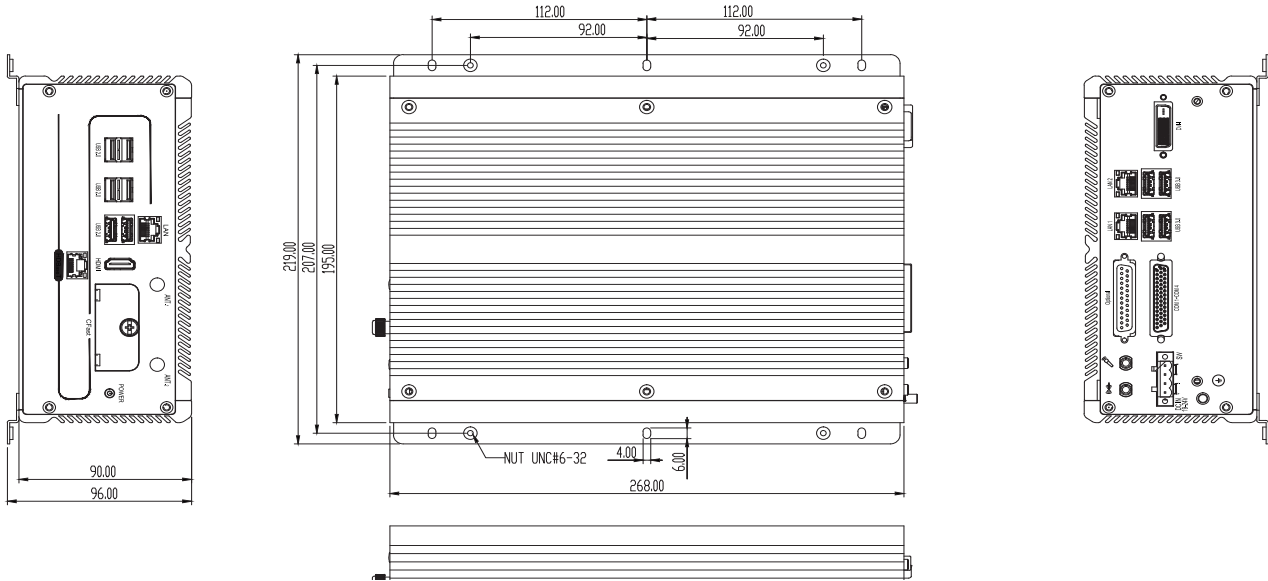
### Ordering Information

FPC-7914-HDBT	Robust BOX PC w/ HDBaseT Transmitter.
---------------	---------------------------------------

All specifications are subject to change without notice.



Dimensions



**Standrd Accessories**

WMK-7000 Wall-mount kit for FPC-7XXX Series



**Optional Accessories**

PAC-180W6C-FSP-ES 180W AC/DC 24V adapter kit w/ 2-pin/3-pin/4-pin block



CBL-7100-COM 4 x COM ports converter cable



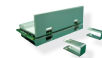
**Optional Configuration (CTOS\* Kit)**

240GB SSD Intel® 2.5" 240GB SATAIII SSD kit



MK-4C-4G DDR4-2133 4GB SDRAM DIMM kit

MK-4C-8G DDR4-2133 8GB SDRAM DIMM kit



MK-4C-16G DDR4-2133 16GB SDRAM DIMM kit

WiFi-AT4550 Atheros, QCNFA324 WiFi module w/ 2\*30cm internal wiring



ANT-D11 1 x Wi-Fi dual-band 2.4G/5G antenna



Core™ i7-7700T Intel® 7<sup>th</sup> Gen. Core™ i7-7700T processor, L2/8M, 2.9G

Core™ i5-7500T Intel® 7<sup>th</sup> Gen. Core™ i5-7500T processor, L2/6M, 2.7G

Core™ i3-7101TE Intel® 7<sup>th</sup> Gen. Core™ i3-7101TE processor, L2/3M, 3.4G



Core™ i7-7700 Intel® 7<sup>th</sup> Gen. Core™ i7-7700 processor, L2/8M, 3.6G, need configure TDP to 35W

Core™ i5-7500 Intel® 7<sup>th</sup> Gen. Core™ i5-7500 processor, L2/6M, 3.4G, need configure TDP to 35W

\*CTOS means Configure-to-Order Service.

Last update: 31/7/2020

## Assured Systems

Assured Systems is a leading technology company with over 1,500 regular clients in 80 countries, deploying over 85,000 systems to a diverse customer base in 12 years of business. We offer high-quality and innovative rugged computing, display, networking and data collection solutions to the embedded, industrial, and digital-out-of-home market sectors.

### US

[sales@assured-systems.com](mailto:sales@assured-systems.com)

Sales: +1 347 719 4508  
Support: +1 347 719 4508

1309 Coffeen Ave  
Ste 1200  
Sheridan  
WY 82801  
USA

### EMEA

[sales@assured-systems.com](mailto:sales@assured-systems.com)

Sales: +44 (0)1785 879 050  
Support: +44 (0)1785 879 050

Unit A5 Douglas Park  
Stone Business Park  
Stone  
ST15 0YJ  
United Kingdom

VAT Number: 120 9546 28  
Business Registration Number: 07699660