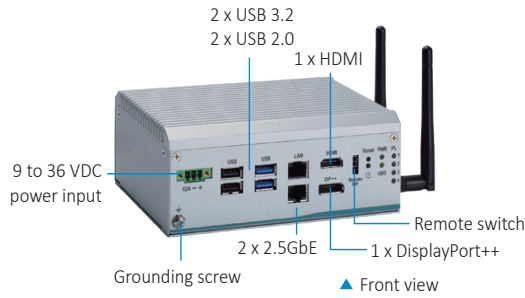


eBOX100A NEW

Fanless Embedded System with Intel® Alder Lake-N Processor, 2 LAN/4 LAN, HDMI, DisplayPort++, 2 COM, 4 USB, and 9 to 36 VDC

With two 2.5GbE LAN ports:



With four 2.5GbE LAN ports:



Features

- Intel® processor N97 quad-core SoC (Alder Lake-N)
- 1 DDR5 SO-DIMM, up to 16GB
- Operating temperature range from -40°C to +60°C
- Supports either 2-port or 4-port 2.5GbE versions
- Intelligent power management for USB power on/off control
- Supports HDMI (FHD) and DisplayPort++ for dual-view
- Front-access I/O design



Specifications

Standard Color	Silver	
Construction	Aluminum extrusion and heavy-duty steel, IP40	
CPU	Intel® processor N97 (Alder Lake-N) (up to 3.6GHz, 12W) Intel Atom® x7211E or Intel® Core™ i3-N305 (Alder Lake-N) by request	
System Memory	1 x 262-pin DDR5-4800 SO-DIMM, up to 16GB	
Chipset	SoC	
BIOS	AMI	
System I/O Outlet	Top side 2 x RS-232/422/485 with autoflow 2 x Antenna opening	Front side 2 x 2.5GbE LAN or 4 x 2.5GbE LAN (Intel® I226-V)* • Two 2.5GbE version: Supports 1 PCIe Mini Card and 1 M.2 Key E. • Four 2.5GbE version: Supports only 1 PCIe Mini Card. 2 x USB 3.2 Gen1 2 x USB 2.0 1 x HDMI (FHD) 1 x DisplayPort++ 1 x Reset switch 1 x Power button 1 x Phoenix type VDC power input connector 1 x Remote switch connector 1 x Grounding
Watchdog Timer	255 levels, 1 to 255 sec.	

Specifications

Storage	1 x 2.5" SATA HDD/SSD (up to 15 mm height)
Expansion Interface	1 x Full-size PCI Express Mini Card slot (USB 2.0 + PCIe + SIM signal) 1 x M.2 Key E 2230 socket for Wi-Fi 6E (USB 2.0 + PCIe signal), supporting two 2.5GbE version only 1 x Internal SIM slot for PCIe Mini Card slot
TPM	TPM 2.0
System Indicator	1 x Green LED for system power 1 x Orange LED for HDD active 4 x Programmable Green LED
Power Input	9-36 VDC with ignition
Operating Temperature	-40°C to +60°C (-40°F to +140°F) (with W.T. DRAM & SSD)
Humidity	10% to 90%, non-condensing
Shock Vibration	IEC 60068-2-27 (with SSD: 50G, half-sine, 11 ms duration)
Vibration Endurance	IEC 60068-2-64 (with SSD: 3Grms STD, random, 5- 500 Hz, 1 hr/axis)
Dimensions	155 mm (6.1") (W) x 110 mm (4.33") (D) x 60 mm (2.36") (H)
Weight (net/gross)	1.1 kg (2.4 lb)/1.5 kg (3.3 lb)
Certifications	CE, FCC Class A, UKCA
EOS Support	Win 10 IoT, Win 11 IoT, Linux

* W.T.: Wide Temperature. All W.T. supported products have to be sorted by Axiomtek.

Packing List

- 4 x Foot pad
- 1 x DRAM bracket
- 2 x Thermal pad for DRAM
- 1 x 3-pin terminal block connector
- 1 x Remote power switch cable
- 1 x Screw pack

Power Protection

DC Version

- OVP (over voltage protection)
- UVP (under voltage protection)
- OCP (over current protection)
- SCP (short circuit protection)
- Reverse protection

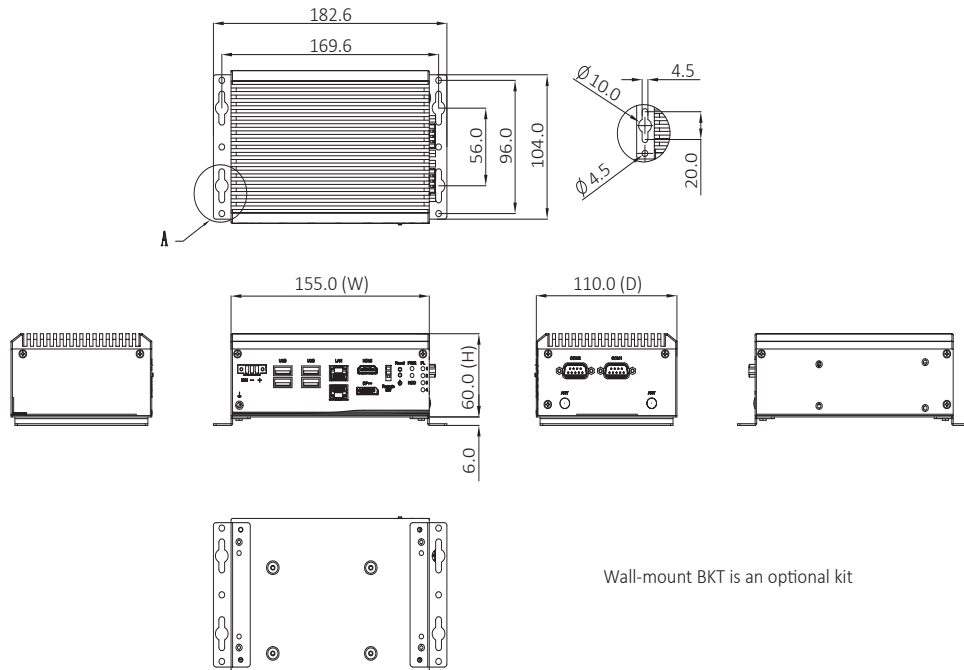
Ordering Information

Standard

eBOX100A-N97-2E (P/N: E36K100A00)	Fanless embedded system with Intel® processor N97 quad-core SoC (Alder Lake-N), 2 LAN, HDMI, DisplayPort++, 2 COM, 4 USB, and 9 to 36 VDC
eBOX100A-N97-4E (P/N: E36K100A01)	Fanless embedded system with Intel® processor N97 quad-core SoC (Alder Lake-N), 4 LAN, HDMI, DisplayPort++, 2 COM, 4 USB, and 9 to 36 VDC

* Specifications and certifications may vary based on different requirements.

Dimensions



Assured Systems

Assured Systems is a leading technology company with over 1,500 regular clients in 80 countries, deploying over 85,000 systems to a diverse customer base in 12 years of business. We offer high-quality and innovative rugged computing, display, networking and data collection solutions to the embedded, industrial, and digital-out-of-home market sectors.

US

sales@assured-systems.com

Sales: +1 347 719 4508
Support: +1 347 719 4508

1309 Coffeen Ave
Ste 1200
Sheridan
WY 82801
USA

EMEA

sales@assured-systems.com

Sales: +44 (0)1785 879 050
Support: +44 (0)1785 879 050

Unit A5 Douglas Park
Stone Business Park
Stone
ST15 0YJ
United Kingdom

VAT Number: 120 9546 28
Business Registration Number: 07699660