

NDiS B360

Fanless Embedded Computer
Powered by 11th Generation Intel® Core™ Processor



Main Features

- 11th Generation Intel® Core™ (Tiger Lake-UP3) processor SoC
- Dual 4K @ 60Hz display output, DP++, HDMI 2.0
- Support 4K @ 60Hz eDP display output
- Dual LAN ports and 4 x USB 3.0 ports for easy connection
- Compact and slim design (H: 36mm)
- Onboard M.2 2280 Key M with PCIe signal for storage modules
- Onboard M.2 2230 Key E for optional Wi-Fi modules
- Support extended temperature for outdoor application
- Fanless design

Product Overview

Powered by the latest 11th generation Intel® Core™ Tiger Lake processor, NDiS B360 series digital signage player can handle very rich multimedia contents. With Intel® processor low power consumption and new Intel® Iris® X graphics, the platform deliver powerful graphics offering stunning visuals for compelling 4K content creation and media playback. In addition, NDiS B360 series supports display output by HDMI and DP ports with flexible integration for various peripherals such as touchscreen displays, scanners, readers, and many more. NDiS B360 series is a slim/fanless player with extended temperature durability further extends to outdoor usage like QSR drive through kiosks, box office displays, information stands, bus stops, or digital transit information signs. It is also ideal as a digital signage player delivering enhanced performance and new immersive experiences for advertising, hospitality and brand promotion applications.

Specifications

CPU Support

- Onboard 11th Generation Intel® Core™ i3-1115G4E processor, Dual Core, 2.2 GHz, 6M Cache (15W)
- Onboard 11th Generation Intel® Core™ i5-1145G7E processor, Quad Core, 1.5 GHz, 8M Cache (15W)
- Onboard 11th Generation Intel® Core™ i7-1185G7E processor Quad Core, 1.8 GHz, 12M Cache (15W) (by request)

Chipset

- SoC (codenamed Tiger Lake-UP3)

Main Memory

- 1 x 260-pin DDR4 SO-DIMM, supports non-ECC, un-buffered memory up to 32G

Graphics & Display

- Intel® UHD graphics on i3 processor
- Intel® Iris® X graphics on i5 and i7 processor
- 1 x DP++, support 4096 x 2304 @ 60Hz
- 1 x HDMI 2.0, support 4096 x 2160 @ 60Hz

I/O Interface-Front

- 1 x Power button
- 1 x HDD LED

- 1 x Line-out
- 1 x DB9 for RS232 (COM2)
- 2 x Antenna hole

I/O Interface-Rear

- 1 x 12V DC Jack
- 2 x RJ45 Intel® Gigabit LAN port
 - 1 x Intel® I219-LM GbE PHY
 - 1 x Intel® I211-AT GbE LAN
- 1 x DP++
- 1 x HDMI 2.0
- 4 x USB 3.0
- 1 x DB9 for RS232/422/485 (COM1)

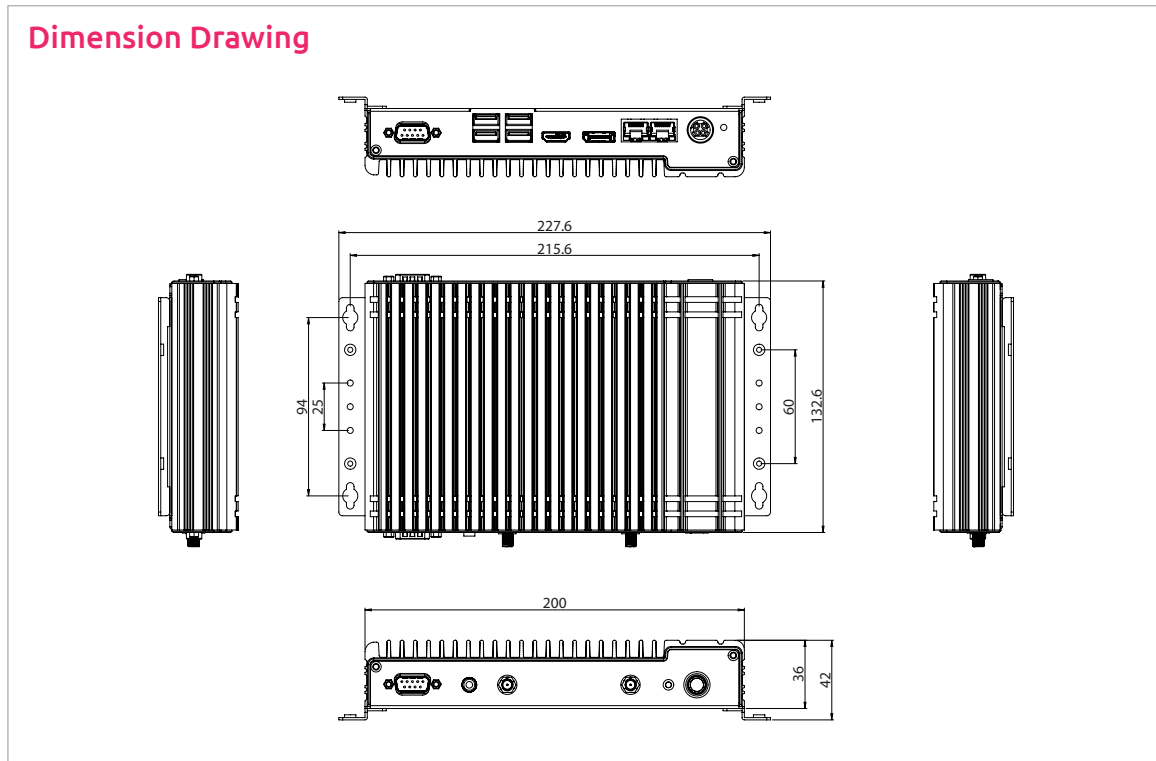
I/O Interface-Internal

- 4 x USB 2.0, internal connector
- 1 x Mic-in, internal connector
- 1 x Speaker-out with 2W/4Ω amplifier, internal connector
- 6 x GPIO pin header for 3 x GPI and 3 x GPO
- 1 x 4-pin connector for PWM smart FAN
- 1 x 12V 2A power output coming from main power source to additional module use
- 1 x eDP: support 4096 x 2160 @ 60Hz
- TPM 2.0 onboard

www.nexcom.com



Dimension Drawing



Storage

- 1 x M.2 2280 Key M (PCIe x4 only), support optional storage modules

Expansion

- 1 x M.2 2230 Key E (PCIe x1), support optional Wi-Fi modules

Power Supply

- 1 x External 60W AC/DC power adapter
- Input: 100VAC to 240VAC
- Output: DC+12VDC

Environment

- Operating temperature: -20°C to 60°C
- Storage temperature: -20°C to 80°C
- Humidity: 10 to 90% (non-condensing)

Certification

- CE Approval
- FCC Class A

Dimensions

- 200mm (W) x 132.6mm (D) x 36mm (H) (without wall mount bracket)

Operating System

- Win10/Linux

Ordering Information

• NDiS B360-i3 (P/N: 10W00B36000X0)

11th Generation Intel® Core™ i3-1115G4E processor slim and fanless system

• NDiS B360-i5 (P/N: 10W00B36001X0)

11th Generation Intel® Core™ i5-1145G7E processor slim and fanless system

Assured Systems

Assured Systems is a leading technology company with over 1,500 regular clients in 80 countries, deploying over 85,000 systems to a diverse customer base in 12 years of business. We offer high-quality and innovative rugged computing, display, networking and data collection solutions to the embedded, industrial, and digital-out-of-home market sectors.

US

sales@assured-systems.com

Sales: +1 347 719 4508
Support: +1 347 719 4508

1309 Coffeen Ave
Ste 1200
Sheridan
WY 82801
USA

EMEA

sales@assured-systems.com

Sales: +44 (0)1785 879 050
Support: +44 (0)1785 879 050

Unit A5 Douglas Park
Stone Business Park
Stone
ST15 0YJ
United Kingdom

VAT Number: 120 9546 28
Business Registration Number: 07699660