

ACS-2702A

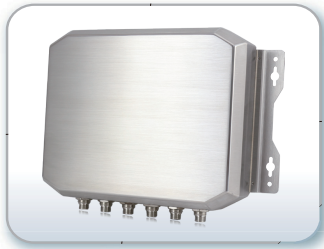
Intel Bay Trail E3845/N2930 IP67 Certified and IP69K Compliant Waterproof Box PC

Industrial Panel PC

HMI Controller

Industrial Display Monitor

Box PC



Features

- Fanless design
- Intel Bay Trail N2930(1.83GHz)/E3845(1.91GHz) for option
- Onboard 4GB DDR3L 1600MHz
- Wide Range 9~36V DC Power Input
- IP67 Certified and IP69K Compliant
- 1 x 2.5" SATA II HDD Space



Specifications

System	
Processor	Intel Bay Trail N2930(1.83GHz)/E3845(1.91GHz) for option
System Chipset	SoC
Outside I/O Port	2 x USB 2.0 (by 1 x M12 8pin connector) 1 x GbE LAN (M12 connector) 1 x RS-232, COM2 (M12 connector) 1 x RS-232/422/485, COM1, Default RS-232 (M12 connector) 1 x VGA (M12 connector) 1 x DC Power (M12 connector)
System Memory	Onboard 4GB DDR3L 1600MHz
Storage	1 x 2.5" SATA II HDD 1 x Internal SD slot, up to 32GB
Expansion Slots	1 x Internal Mini-PCIe slot full size
OS Support	Windows Embedded 8.1 Industry Pro Windows 7 Pro for Embedded WES7 WES8

Power	
Power Input	9~36V DC
Power Consumption	6.3W

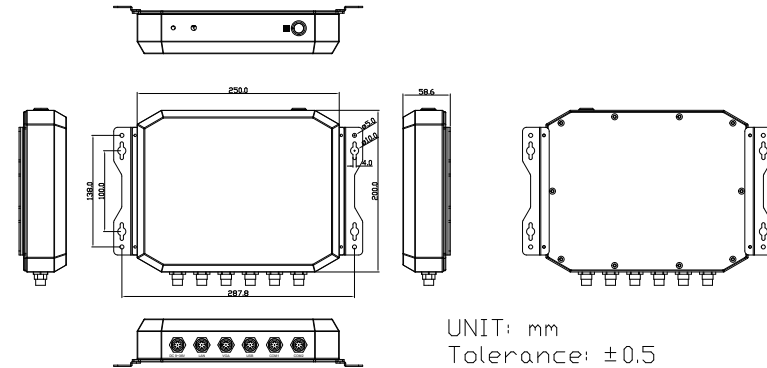
Mechanical	
Construction	Stainless Steel
Mounting	Wall mount
IP Rating	IP67 Certified and IP69K Compliant
Dimension	250 x 200 x 58.6 mm
Net weight(kgs)	3.1Kg

Environmental	
Operating Temperature	-20°C to 60°C
Storage Temperature	-40°C to 85°C
Storage Humidity	10~90% @40 °C non-condensing
Certificate	CE / FCC Class A

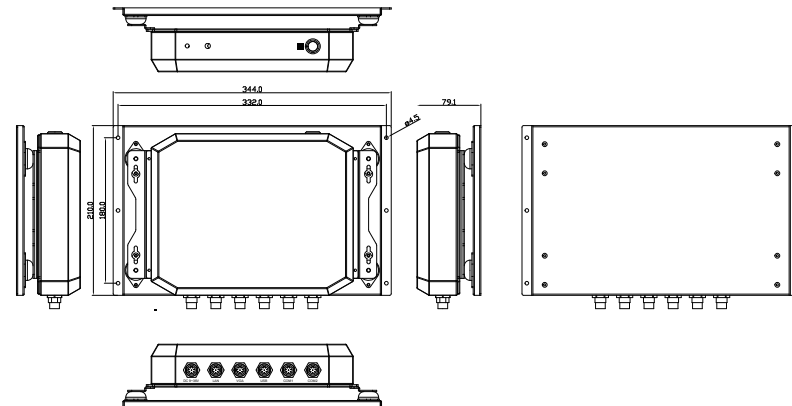
Ordering Information	
ACS-2702A-01	IP67 waterproof Fanless Box PC, with Intel Celeron N2930 1.83GHz CPU, 4GB DDR3L RAM, 32G MLC SSD, 9~36V DC power input with adaptor, Stainless Steel Enclosure, WT1

Dimensions

Standard



Option



Assured Systems

Assured Systems is a leading technology company with over 1,500 regular clients in 80 countries, deploying over 85,000 systems to a diverse customer base in 12 years of business. We offer high-quality and innovative rugged computing, display, networking and data collection solutions to the embedded, industrial, and digital-out-of-home market sectors.

US

sales@assured-systems.com

Sales: +1 347 719 4508
Support: +1 347 719 4508

1309 Coffeen Ave
Ste 1200
Sheridan
WY 82801
USA

EMEA

sales@assured-systems.com

Sales: +44 (0)1785 879 050
Support: +44 (0)1785 879 050

Unit A5 Douglas Park
Stone Business Park
Stone
ST15 0YJ
United Kingdom

VAT Number: 120 9546 28
Business Registration Number: 07699660