



**TI® AM3517**  
**7" Light Industrial Touch Panel PC**

**KS200**



**Features**

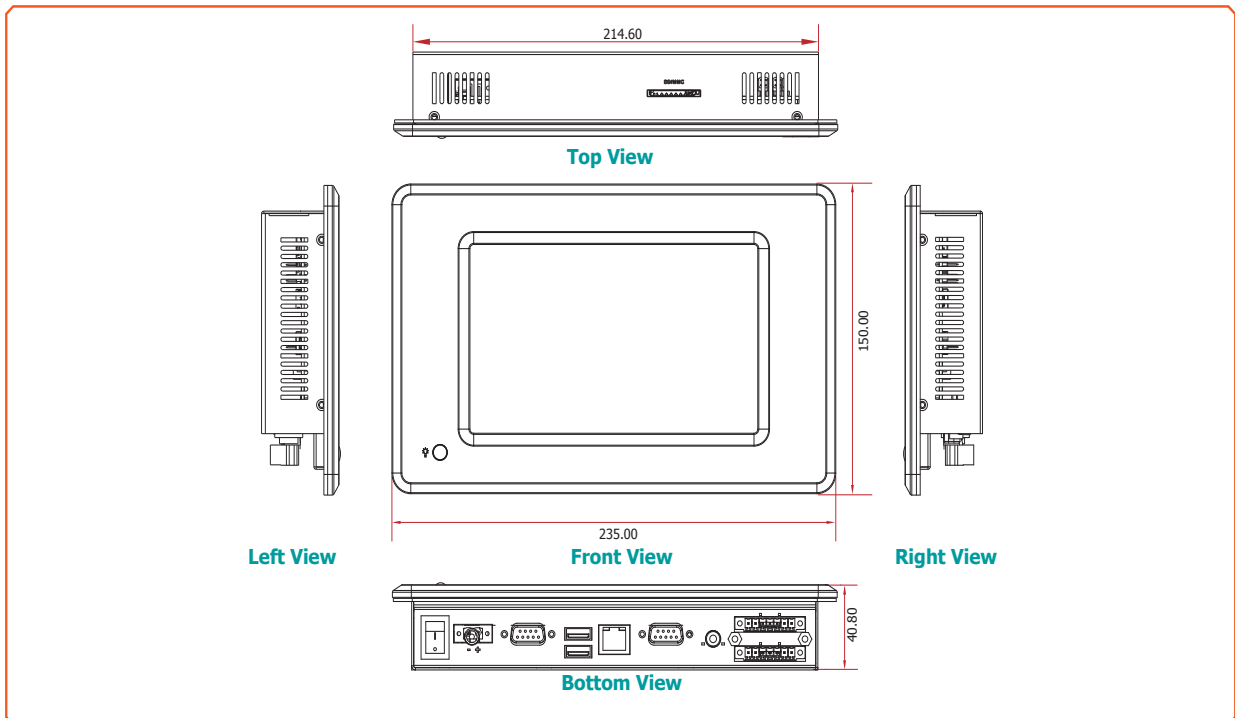
- 7" WVGA Touch Screen Fanless Panel PC
- 512MB DDR2 onboard
- 512MB NAND Flash onboard
- 2 USB 2.0, 1 LAN, 2 COM, 1 SD/MMC, 12-bit GPIO



**Panel**



**Dimensions**



**TI® AM3517**  
**7" Light Industrial Touch Panel PC****KS200****Specifications** \* Optional and is not supported in standard model. Please contact your sales representative for more information.**PROCESSOR SYSTEM**

- TI® AM3517 Sitara ARM Cortex-A8

**MEMORY**

- 512MB DDR2 onboard
- 4 DDR2 64Mx16 RAM

**LCD and TOUCH SCREEN**

- 7" (800x480) WVGA TFT touch screen LCD
- Supports touch screen
  - TI® TSC2004 touch screen controller
- 400 NITS
- 4-Wire Resistive type

**STORAGE**

- 1 SD/MMC card socket
- 512MB NAND Flash
  - Samsung K9F4G08U0D flash memory 512Mx 8bit (512MB)

**ETHERNET**

- LAN8710 10/100Mbps LAN chip
- 1 LAN port
- Supports 10BASE-T and 100BASE-T

**AUDIO**

- 1 Line-out

**COM**

- 1 RS232/422/485 COM port
- 1 RS232 COM port

**USB**

- 1 TUSB1210 USB transceiver
- 2 Type A USB 2.0/1.1 ports

**GPIO**

- 12-bit GPIO connector

**POWER**

- Power input voltage
  - +9~30V DC-in

**ENVIRONMENT**

- Temperature
  - Operating: -20°C ~ 65°C
  - Storage: -30°C ~ 80°C
- Relative Humidity
  - 95% RH at 65°C, 1 week
- Corrosion
  - 4 periods of 7 days at 65°C with 90-95% relative humidity after 2 hours salt spray or waiver

**I/O PORTS**

- Front
  - 1 Power LED
- Top
  - 1 SD/MMC card socket
- Bottom
  - 12-bit GPIO (2 7-pole terminal blocks)
  - 1 Line-out
  - 1 DB-9 RS232 COM
  - 1 RJ45 10/100Mbps LAN with LEDs
  - 2 USB 2.0 (Type A)
  - 1 DB-9 RS232/422/485 COM
  - 1 DC-in (2-pole terminal block)
  - 1 power switch

**FRONT PANEL PROTECTION**

- IP65 (Dust Tight; Water Proof protection)

**CONSTRUCTION**

- Aluminum front bezel, Rugged metal housing

**MOUNTING**

- Wall mount (VESA 75x75)
- Panel mount (Mounting clamp)

**DIMENSIONS**

- 235mm x 150mm x 40.8mm (W x H x D)

**WEIGHT**

- 2.10 kg

**OS SUPPORT**

- Windows CE 6.0

**CERTIFICATION**

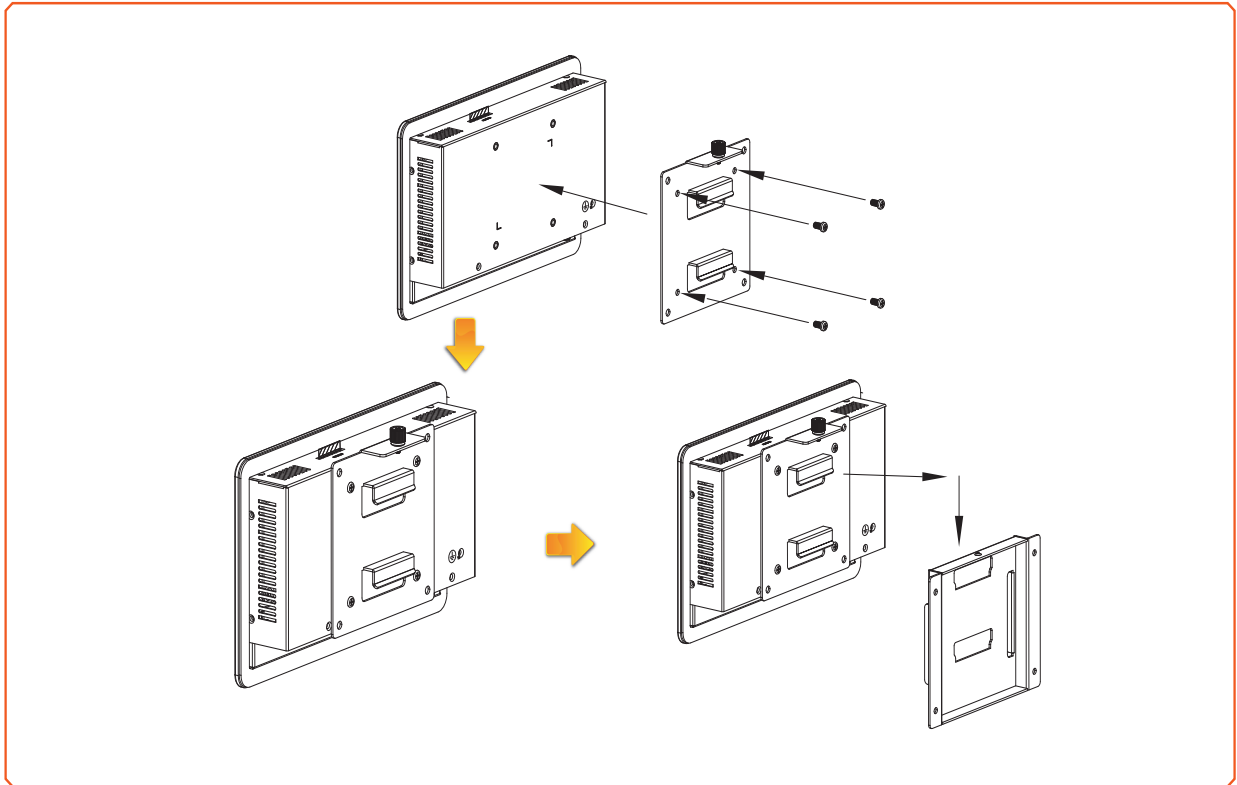
- CE
- FCC Class B
- RoHS
- UL
- Compliant with IEC 60945 (Protected B)



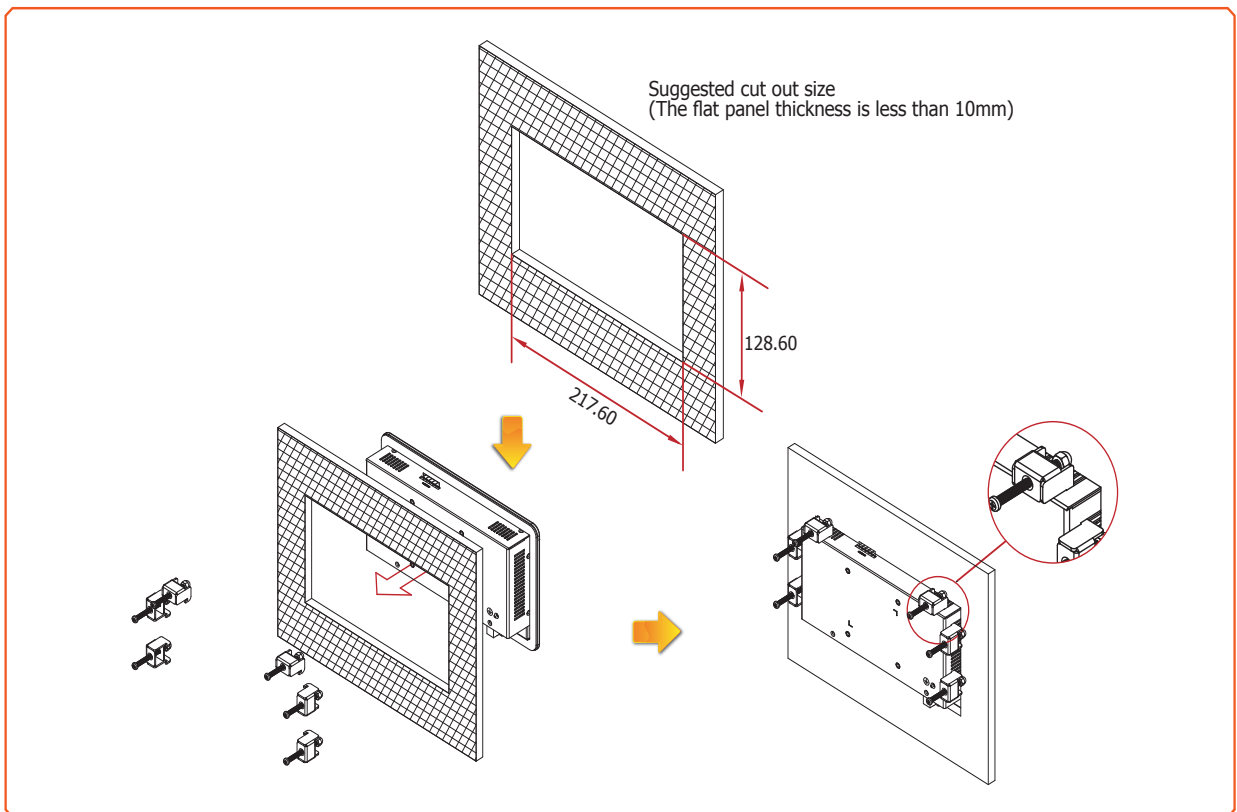
**TI® AM3517**  
**7" Light Industrial Touch Panel PC**

**KS200**

▶ **Wall Mounting**



▶ **Panel Mounting**



TI® AM3517  
7" Light Industrial Touch Panel PC



## KS200

### ▶ Ordering Information

Model Name	Part Number	Description
<b>KS200</b>	750-KS2000-000G	7" Panel PC, TI® AM3517 ARM, Aluminum Front Bezel, Resistive Touch, DC input, R10

### ▶ Optional Items

Optional Items	Part Number	Description
<b>Wall Mount</b>	785-PPCWMK	Standard Panel PC Wall Mount kit
<b>Panel Mount</b>	785-070PMK	7" Panel PC Panel Mount kit
<b>Power Cord</b>	785-PWRD	Power cord, Standards (USA/EUR/CH), 1.8m, RoHS

### ▶ Packing List

• 1 KS200 Touch Panel PC
• 1 Poron foam
• 1 24V power adapter
• 3 Terminal blocks
• 1 Quick Installation Guide
• 1 CD disk includes:
- Manual

## Assured Systems

Assured Systems is a leading technology company with over 1,500 regular clients in 80 countries, deploying over 85,000 systems to a diverse customer base in 12 years of business. We offer high-quality and innovative rugged computing, display, networking and data collection solutions to the embedded, industrial, and digital-out-of-home market sectors.

### US

[sales@assured-systems.com](mailto:sales@assured-systems.com)

Sales: +1 347 719 4508  
Support: +1 347 719 4508

1309 Coffeen Ave  
Ste 1200  
Sheridan  
WY 82801  
USA

### EMEA

[sales@assured-systems.com](mailto:sales@assured-systems.com)

Sales: +44 (0)1785 879 050  
Support: +44 (0)1785 879 050

Unit A5 Douglas Park  
Stone Business Park  
Stone  
ST15 0YJ  
United Kingdom

VAT Number: 120 9546 28  
Business Registration Number: 07699660