



FANLESS EMBEDDED SYSTEMS

RCO-1010B series

Compact Fanless Embedded System with Intel® Atom™ E3845 or Celeron® J1900, DVI-I, 4xCOM



FEATURES

- Intel® Atom™ Processor E3845, 1.91GHz or Intel® Celeron® J1900, 2.0GHz
- 1x 204-Pin DDR3L 1066/1333MHz SODIMM. Max. up to 8 GB
- Dual independent display supported by 1x DVI-I
- 2x Intel® GbE supporting Wake-on-LAN and PXE
- 1x 2.5" SATA HDD bay, 1x mSATA, 2x SIM socket
- 2x Full-size mini PCIe for communication or expansion modules
- 4x RS-232/422/485, 1x USB 3.0, 3x USB 2.0
- 9 to 48VDC wide range power input supporting AT/ATX mode
- -40°C to 70°C extended operating temperature

SPECIFICATIONS

System

| | |
|----------------|--|
| Processor | Intel® Atom™ Processor E3845, Quad Core, 2MB Cache, 1.91 GHz Intel® Celeron® Processor J1900, Quad Core, 2MB Cache, 2.0 GHz |
| System Chipset | SoC integrated |
| LAN Chipset | GbE1 & GbE2: Intel® I210-AT [Support Wake-on-LAN and PXE] |
| Audio Codec | Realtek ALC888S |
| System Memory | 1x 204-Pin DDR3L 1066/1333MHz SODIMM. Max. up to 8 GB |
| BIOS | AMI 64Mbit SPI BIOS |
| Watchdog | Software Programmable Supports 1-255 sec. System Reset |

Display

| | |
|------------------|-------------------------------|
| VGA | Yes (by optional split cable) |
| DVI | 1x DVI-I |
| Multiple Display | Dual Display |

Storage

| | |
|------------|--|
| SSD/HDD | 1x Internal 2.5" SATA HDD Bay |
| mSATA | 1x mSATA (shared by 1x Mini PCI Express) |
| SIM Socket | 2x External SIM socket |

Expansion

| | |
|------------------|------------------------|
| Mini PCI Express | 2x Full-size Mini PCIe |
|------------------|------------------------|

I/O

| | |
|--------|---|
| COM | 2x RS-232/422/485 2x RS-232/422/485 (module) |
| USB | 1x USB 3.0, 3x USB 2.0 |
| LAN | 2x RJ45 |
| Audio | 1x Mic-in, 1x Line-out |
| DIO | 4 in / 4 out (Isolated) |
| Others | 4x WiFi Antenna Holes 1x Power Switch, 1x AT/ATX Switch, 1x Remote Power On/Off |

Operating System

| | |
|---------|-----------------------------|
| Windows | Windows 10, Windows 7, WES7 |
| Linux | Linux kernel 3.X |

Power

| | |
|----------------------|--|
| Power Mode | AT, ATX |
| Power Supply Voltage | 9-48VDC |
| Power Connector | 3-pin Terminal Block |
| Power Adaptor | Optional AC/DC 12V/5A, 60W |
| Power Protection | OVP [Over Voltage Protection] OCP [Over Current Protection] Reverse Protection |

Environment

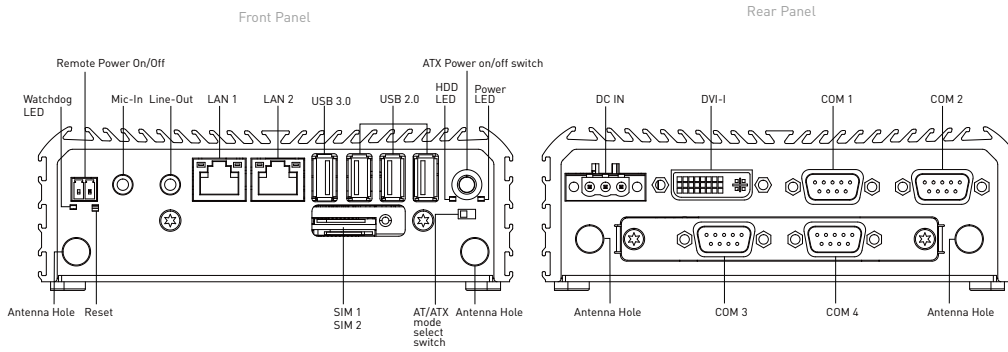
| | |
|---------------------------|--|
| Operating Temp. | -40°C to 70°C |
| Storage Temp. | -40°C to 85°C |
| Relative Humidity | 10% to 95% (non-condensing) |
| Vibration | With SSD: 5 Grms, 5 - 500 Hz, 0.5 hr/axis With HDD: 1 Grms, 5 - 500 Hz, 0.5 hr/axis |
| Shock | With SSD: 50G, half sine, 11ms |
| Standards / Certification | CE, FCC Class A |

Physical

| | |
|-------------------|---|
| Construction | Extruded Aluminum with Heavy Duty Metal |
| Dimension (WxDxH) | 150 (W) x 105 (H) x 49 (H) mm |
| Weight | 0.88 kg |
| Mounting | Wall Mounting Side / VESA / DIN-Rail Mounting [Optional] |

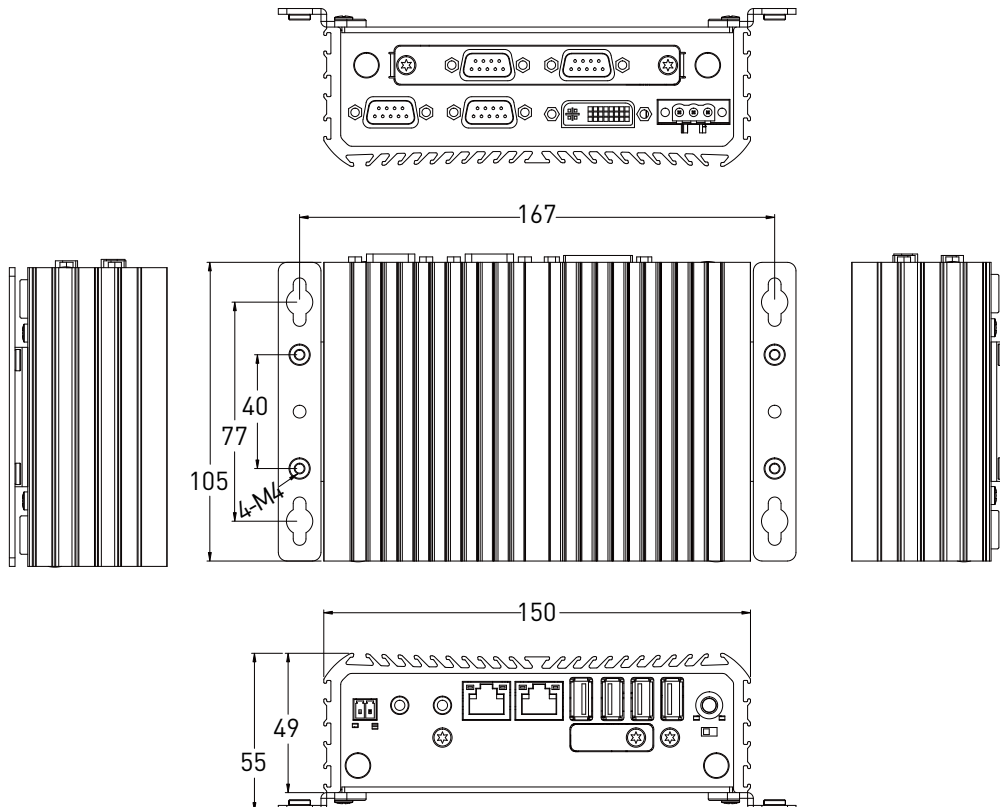
* All specifications and photos are subject to change without notice.

EXTERNAL I/O MECHANICAL LAYOUT



DIMENSION

Unit: mm





RCO-1010B series

ORDERING INFORMATION

| MODEL NO. | DESCRIPTION |
|-------------|--|
| 1-E09A06008 | Adapter AC/DC 12V 5A 60W with 3pin Terminal Block Plug 5.0mm Pitch |
| 1-TPCD00005 | Power Cord, 3-pin US Type, 180cm |
| 1-TPCD00002 | Power Cord, European Type |
| 1-TPCD00001 | Power Cord, 3-pin UK Type, 180cm |
| 3-SIDE-0002 | RCO-1010 Series Side Mount Kit |
| 3-VESA-0003 | RCO-1000 Series VESA Mount Kit |
| 3-DINR-0004 | DIN-Rail Mount Kit |

PACKING LIST

- 1x RCO-1000 Series Embedded System
- 1x Wall Mount Kit
- 1x Accessory Kit
- 1x DVI to VGA Adapter

AVAILABLE MODELS

| MODEL NO. | DESCRIPTION |
|-----------------|---|
| RCO-1010B-E3845 | Compact Fanless Embedded System with Intel® E3845 CPU, 1xDVI, 4xCOM |
| RCO-1010B-J1900 | Compact Fanless Embedded System with Intel® J1900 CPU, 1xDVI, 4xCOM |



C&T Solution Inc.

17F-2, No. 700, Zhongzheng Rd., Zhonghe Dist., New Taipei City 235, Taiwan (R.O.C.)

Tel: +886-2-7731-7888 Fax: +886-2-7731-7855

Email: info@candtsolution.com

www.candtsolution.com

Assured Systems

Assured Systems is a leading technology company with over 1,500 regular clients in 80 countries, deploying over 85,000 systems to a diverse customer base in 12 years of business. We offer high-quality and innovative rugged computing, display, networking and data collection solutions to the embedded, industrial, and digital-out-of-home market sectors.

US

sales@assured-systems.com

Sales: +1 347 719 4508
Support: +1 347 719 4508

1309 Coffeen Ave
Ste 1200
Sheridan
WY 82801
USA

EMEA

sales@assured-systems.com

Sales: +44 (0)1785 879 050
Support: +44 (0)1785 879 050

Unit A5 Douglas Park
Stone Business Park
Stone
ST15 0YJ
United Kingdom

VAT Number: 120 9546 28
Business Registration Number: 07699660