



Desktop Chassis for Mini-ITX

DT122



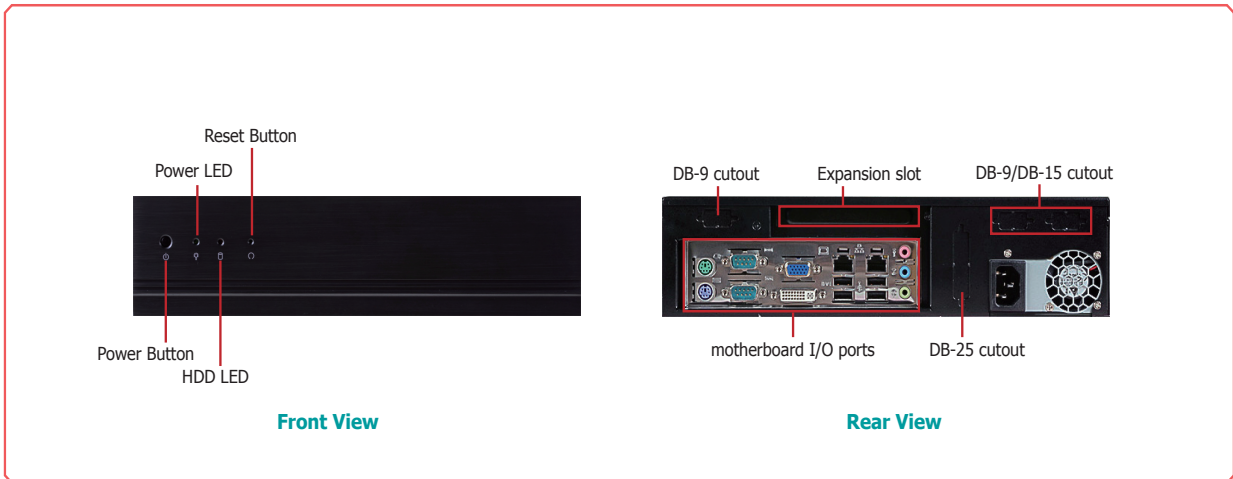
Mini-ITX

► **Features**

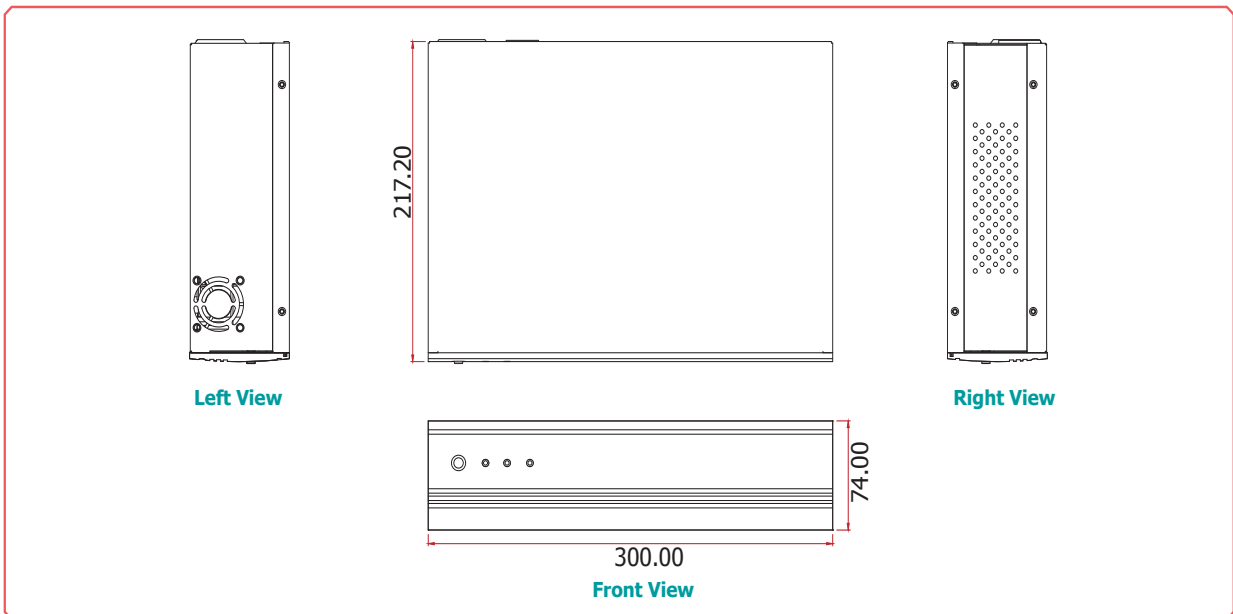
- Designed to accommodate any Mini-ITX board
- Supports one expansion slot
- Up to 2 2.5" or 1 3.5" SATA drive bay
- 1 optical drive bay (optional)



► **Panel**



► **Dimensions**





DT122

Specifications * Optional and is not supported in standard model. Please contact your sales representative for more information.

STORAGE

- Up to 2 2.5" or 1 3.5" SATA drive bay
- 1 optical drive bay*

FRONT PANEL

- 1 HDD LED
- 1 Power LED
- 1 Power button
- 1 Reset button

REAR PANEL

- 1 DB-9 cutout
- 1 DB-9/DB-15 cutout
- 1 DB-25 cutout

COOLING SYSTEM

- 1 system fan

EXPANSION

- 1 expansion slot
- 1 PCIe x16 or 1 PCI slot

POWER

- Power type
- Flex ATX power supply

ENVIRONMENT

- Temperature
- Storage: -20°C ~ 60°C
- Humidity
- 90% RH at 45°C, 1 week

VIBRATION

- Operating: 1G, 5~500Hz
- Non-operating: 1.5G, 5~25Hz
- IEC 68-2-64 compliant

SHOCK

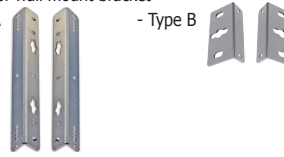
- Operating: 3G peak acceleration (11 msec. duration)
- Non-operating: 10G peak acceleration (11 msec. duration)
- IEC 68-2-27 compliant

CONSTRUCTION

- Front panel: aluminum
- Rear chassis: sheet metal

MOUNTING

- 2 types of wall mount bracket
- Type A
- Type B



- Brackets and screws*

DIMENSIONS

- 300mm x 74mm x 217.20mm (W x H x D)

Designed to accommodate any Mini-ITX motherboard
- Fully compatible with DFI's Mini-ITX motherboards



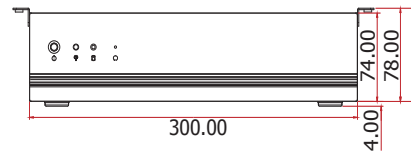
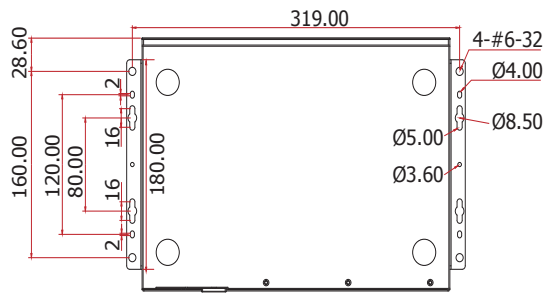
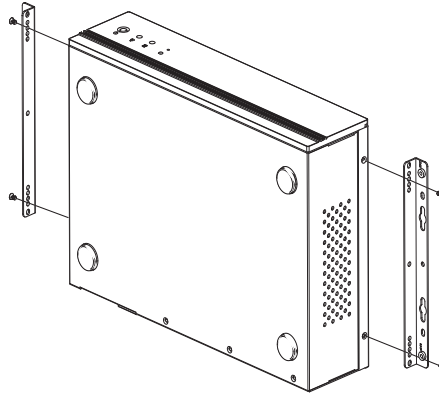


Desktop Chassis for Mini-ITX

DT122

Wall Mounting

Type A Wall mount bracket

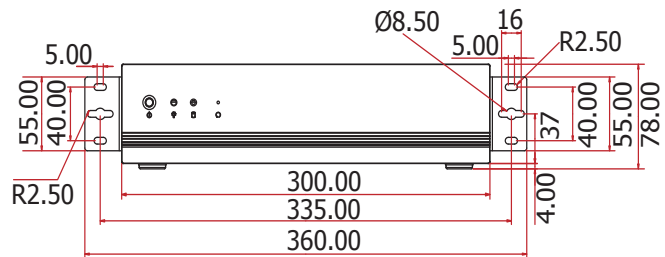
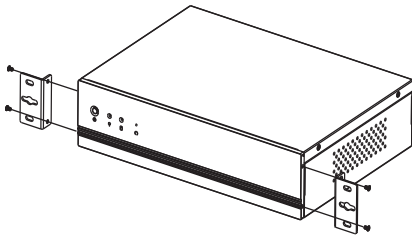






DT122

► **Wall Mounting**

Type B Wall mount bracket



► **Optional Items**

Optional Items	Part Number	Description
Wall Mount	761-DT1220-100G	DT122 type A wall mount kit for top cover, RoHS 
	761-DT1220-000G	DT122 type B wall mount kit for front cover, RoHS 

Assured Systems

Assured Systems is a leading technology company with over 1,500 regular clients in 80 countries, deploying over 85,000 systems to a diverse customer base in 12 years of business. We offer high-quality and innovative rugged computing, display, networking and data collection solutions to the embedded, industrial, and digital-out-of-home market sectors.

US

sales@assured-systems.com

Sales: +1 347 719 4508
Support: +1 347 719 4508

1309 Coffeen Ave
Ste 1200
Sheridan
WY 82801
USA

EMEA

sales@assured-systems.com

Sales: +44 (0)1785 879 050
Support: +44 (0)1785 879 050

Unit A5 Douglas Park
Stone Business Park
Stone
ST15 0YJ
United Kingdom

VAT Number: 120 9546 28
Business Registration Number: 07699660