

## IMC-C100-XX Series

Compact 10/100TX to 100FX Industrial Media Converter with SC/ST Connector



### Features

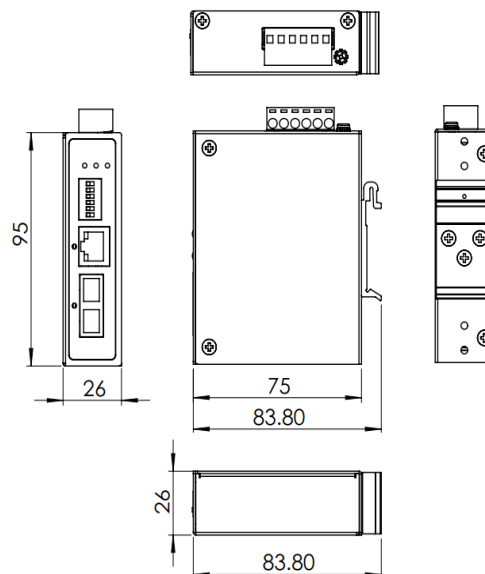
- ▶ 1\*10/100TX Fast Ethernet
- ▶ 1\*100FX SC/ST Connector (Multi / Single-Mode)
- ▶ RJ45 Port Support Auto MDI / MDI-X Function
- ▶ Auto Negotiation Speed, Half / Full Duplex
- ▶ Store-and-Forward Switching Architecture
- ▶ Built-in Link Fault Pass Through (LFP)
- ▶ Built-in Far End Fault (FEF)
- ▶ Wide-Range Redundant Power Design
- ▶ Redundant Power Input: 12~48VDC
- ▶ Power Polarity Reverse Protection
- ▶ Overload Current Protection
- ▶ DIN-Rail or Wall Mountable
- ▶ IP30 Protection
- ▶ 5-Year Warranty

### INTRODUCTION

Antaira Technologies' **IMC-C100-XX Series** is a compact IP30 rated Ethernet-to-Fiber media converter featuring a 10/100TX Ethernet port and a fixed fiber interface supporting ST or SC connectors depending on the model. There are Multimode and Single-Mode models to support applications with a variety of fiber distances and types. It is designed to fulfill industrial applications that require fiber optic distance extension while using minimal space.

The IMC-C100-XX series has a built-in "Link Fault Pass Through" (LFP) and "Far End Fault" (FEF) function with 12~48VDC redundant power inputs with reverse polarity and overload current protection. This product series supports DIN-rail as well as wall mountable orientations and provides operating temperature range models in STD: -10°C to 70°C and EOT: -40°C to 80°C.

### DIMENSIONS



## SPECIFICATIONS

Technology		Power Requirement	
<b>Standards</b>	IEEE 802.3 10BASE-T Ethernet IEEE 802.3u 100BASE-TX Fast Ethernet	<b>Input Voltage</b>	12 to 48VDC, Redundant Inputs
<b>Processing Type</b>	Store and Forward	<b>Power Connection</b>	1 removable 6-contact terminal block
<b>Protocol</b>	CSMA/CD	<b>Reverse Polarity Protection</b>	Present
<b>Flow Control</b>	IEEE 802.3x back pressure flow control	<b>Overload Current Protection</b>	Present
Switch Properties		<b>Power Consumption</b>	2 Watts for System
<b>Memory Buffer</b>	128kbits	<b>Relay Contact</b>	24VDC, 1A resistive
Interface		Environmental Limits	
<b>Ethernet Port</b>	1*RJ45 Port w/10/100TX, auto negotiation speed, Full/Half duplex mode, and auto MDI/MDI-X connection	<b>Operating Temperature</b>	STD: -10°C to 70°C EOT: -40°C to 80°C
<b>Fiber Port</b>	1*100FX SC/ST type connector Multi-mode: 50/125um or 62.5/125um Single-mode: 9/125um or 10/125um	<b>Storage Temperature</b>	-40°C to 85°C
<b>Fiber Wavelength</b>	Depends on fixed fiber modules	<b>Ambient Relative Humidity</b>	5% to 95%, (non-condensing)
<b>LED Indicators</b>	Power 1, Power 2, Fault:: On / Off Fiber Port: Link / Act Ethernet Port: Link / Act	Regulatory Approvals	
Mechanical Characteristics		<b>EMI</b>	FCC Part 15 Subpart B Class A, CE EN 55032 Class A, EN 61000-6-4 Class A
<b>Housing</b>	Metal, IP30 protection	<b>EMS</b>	CE EN 55024 Class A, EN 61000-6-2 Class A, IEC61000-4-2 (ESD), IEC61000-4-3 (RS), IEC61000-4-4 (EFT), IEC61000-4-5 (Surge), IEC61000-4-6 (CS), IEC61000-4-8 (Magnetic Field)
<b>Dimensions</b>	26 x 95 x 75 mm (W x H x D)	<b>Free Fall</b>	IEC60068-2-32
<b>Weight</b>	Unit: 0.551 lb. Shipping: 0.815 lb.	<b>Shock</b>	IEC60068-2-27
<b>Mounting</b>	DIN-Rail Mounting, Wall Mounting	<b>Vibration</b>	IEC60068-2-6
		<b>Green</b>	RoHS Compliant
		<b>Certifications</b>	FCC, CE, UL 61010-1, UL 61010-2-201
		<b>Warranty</b>	5 Years

## ORDERING INFO

<b>IMC-C100-M</b>	Compact 10/100TX to 100FX Industrial Media Converter, Multi-Mode 2km, SC Connector
<b>IMC-C100-M-T</b>	Compact 10/100TX to 100FX Industrial Media Converter, Multi-Mode 2km, SC Connector; EOT: -40°C to 80°C
<b>IMC-C100-ST-M</b>	Compact 10/100TX to 100FX Industrial Media Converter, Multi-Mode 2km, ST Connector
<b>IMC-C100-ST-M-T</b>	Compact 10/100TX to 100FX Industrial Media Converter, Multi-Mode 2km, ST Connector; EOT: -40°C to 80°C
<b>IMC-C100-S3</b>	Compact 10/100TX to 100FX Industrial Media Converter, Single-Mode 30km, SC Connector
<b>IMC-C100-S3-T</b>	Compact 10/100TX to 100FX Industrial Media Converter, Single-Mode 30km, SC Connector; EOT: -40°C to 80°C
<b>IMC-C100-ST-S3</b>	Compact 10/100TX to 100FX Industrial Media Converter, Single-Mode 30km, ST Connector
<b>IMC-C100-ST-S3-T</b>	Compact 10/100TX to 100FX Industrial Media Converter, Single-Mode 30km, ST Connector; EOT: -40°C to 80°C

## Assured Systems

Assured Systems is a leading technology company with over 1,500 regular clients in 80 countries, deploying over 85,000 systems to a diverse customer base in 12 years of business. We offer high-quality and innovative rugged computing, display, networking and data collection solutions to the embedded, industrial, and digital-out-of-home market sectors.

### US

[sales@assured-systems.com](mailto:sales@assured-systems.com)

Sales: +1 347 719 4508  
Support: +1 347 719 4508

1309 Coffeen Ave  
Ste 1200  
Sheridan  
WY 82801  
USA

### EMEA

[sales@assured-systems.com](mailto:sales@assured-systems.com)

Sales: +44 (0)1785 879 050  
Support: +44 (0)1785 879 050

Unit A5 Douglas Park  
Stone Business Park  
Stone  
ST15 0YJ  
United Kingdom

VAT Number: 120 9546 28  
Business Registration Number: 07699660