



Industrial Solutions Partner!

**SSF/SSH2940-Y**

**29.4" TFT LCD, 2000 nits LED backlight, 1920 x 720**

The SSF/SSH2940-Y is a 29.4 inch color TFT-LCD display with high brightness 2000 nits and high color saturation. it produce sharp images, crisp text and lifelike colors. The Spanpixel LED backlight technology ensures high reliability and low power consumption, suitable for outdoor application, kiosk, factory automation, military, transportation and gaming application.

**Key Features**

- 29.4" TFT LCD
- Ultra-Wide Screen (16 : 6)
- High Brightness 2000 nits
- LED Backlight
- Wide viewing angle 178°(H)~ 178°(V)
- LCD Blacking Defect Free (Hi-Tni 110°C)
- Low Power Consumption
- BL MTBF: 100,000 hours



**Specifications**

Model Name	SSF/SSH2940-Y
Description	29.4" TFT LCD, 2000 nits LED backlight, 1920x720
Screen Size	29.4"
Display Area (mm)	698.4(H) x 261.9(V)
Brightness (Typical)	2000 cd/m2
Resolution	1920x720
Aspect Ratio	16 : 6
Contrast Ratio (Typical)	5900 : 1
Pixel Pitch (mm)	0.3637(H) x 0.3637(V)
Pixel Per Inch (PPI)	70
Viewing Angle	178°(H),178°(V)
Color Saturation (NTSC)	83%
Display Colors	16.7M
Response Time (Typical)	8ms
Panel Interface	LVDS
Video Interface	HDMI, DP
Input Power	DC12V
Power Consumption	66W (68.16W with AD Board)
OSD Key	4 Keys (Power Switch, Menu, +, -)
OSD Control	Brightness, Color, Contrast, Auto Turing, H/V Position...etc
Dimensions (mm)	735.4 x 302.6 x 17.9
Bezel Size(U/B/L/R)	18/22.7/18.5/18.5
Weight (Net)	3.2 kg
Operating Temperature	-20 °C ~ 60 °C
Storage Temperature	-20 °C ~ 60 °C

SSF= Panel + LED Driving Board

SSH= Panel + LED Driving Board + AD Control Board

Specifications are subject to change without notice.  
All brands or product names are trademarks or registered trademarks of their respective companies.

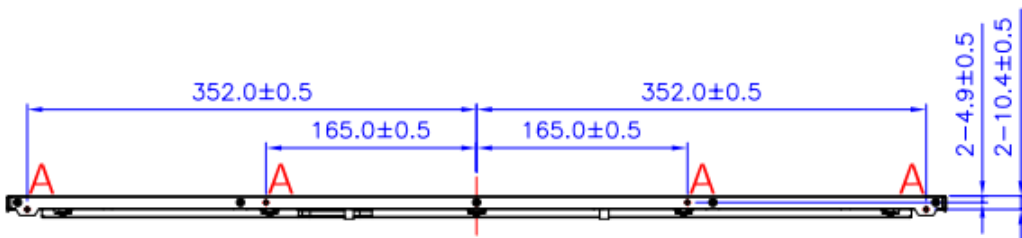
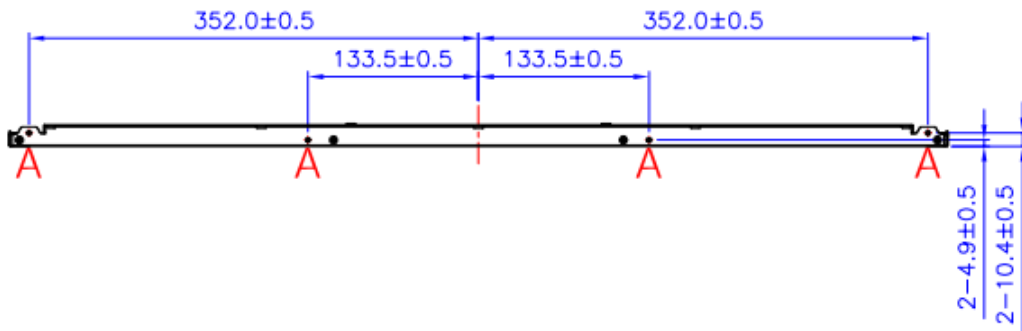
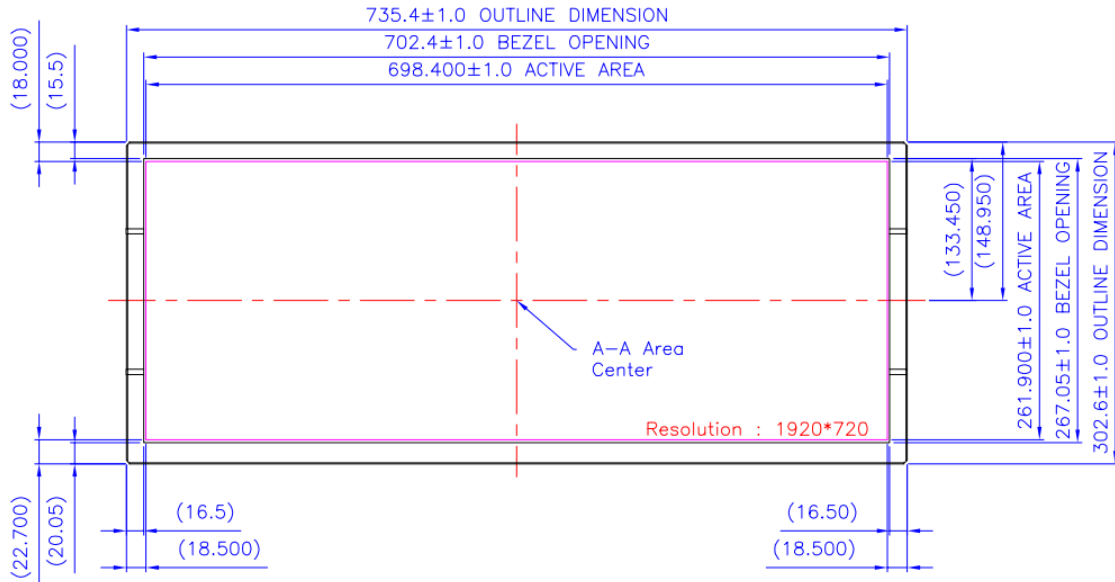


Industrial Solutions Partner!

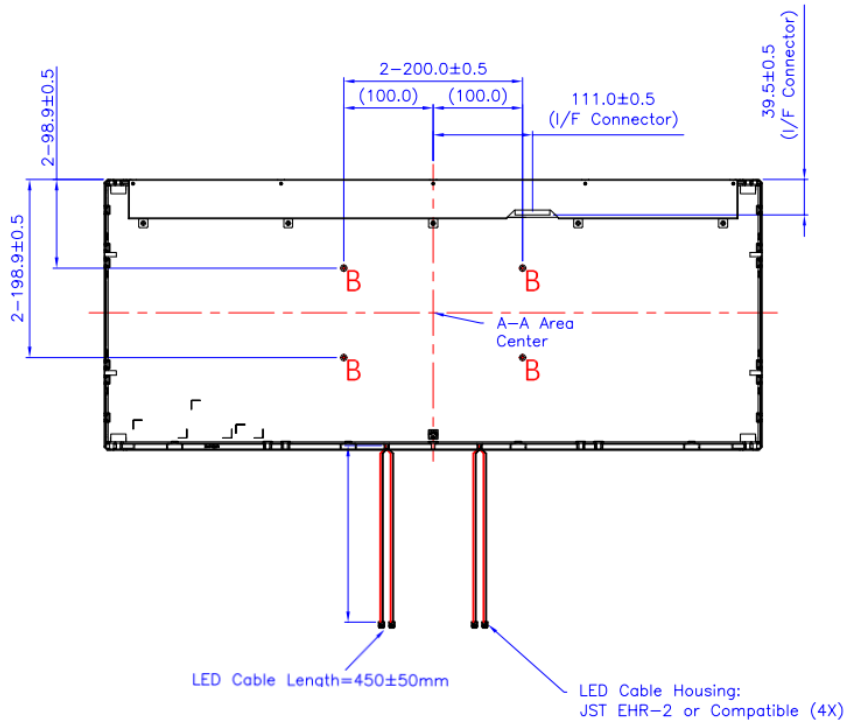
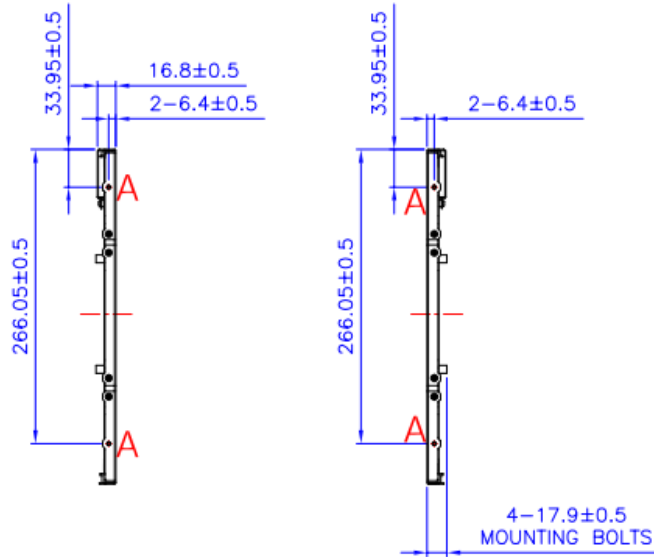
**Mechanical Drawing**

Outline Dimensions

Unit: mm



A M3 MOUNTING HOLE (12X), DP=5.0mm MAX, TOUQUE=5.0kgf-cm MAX



**B** M4 MOUNTING HOLE (4X), DP=5.0mm MAX, TOUQUE=8.0kgf-cm MAX

**Note :**

1. Resolution: 1920x720
2. "( )"marks the reference dimensions
3. Front Case is black paint



Industrial Solutions Partner!

**Ordering Information**

Part Number	Description
SSF2940-YNN-A21	29.4",2000nits,1920x720,T2060,HTni,LID29C,5in1,V2
SSH2940-YNN-T21	29.4",2000nits,1920x720,T2060,HTni,LID29C,AD68862HP,DC12V,5in1,V2

**Optional Accessories**

Part Number	Description
840612111202	ADAPTER,12V,10A,120W.G99-ABU120F-N001,POWER.DIN,Efficiency-level-6,R
810618301010	CABLE.POWER.AC.1830mm USA type
810618301090	CABLE,POWER,AC,1830mm Europe type
810618301050	CABLE.POWER.AC.1830mm UK type
810618301170	CABLE.POWER,AC,1830mm Australia type
810618301031	CABLE.POWER.AC.1830mm Japan type

**By Customer Request**

Glass	Tempered glass, AR coating.....
Touch	PCT, SCT, Resistive.....

## Assured Systems

Assured Systems is a leading technology company with over 1,500 regular clients in 80 countries, deploying over 85,000 systems to a diverse customer base in 12 years of business. We offer high-quality and innovative rugged computing, display, networking and data collection solutions to the embedded, industrial, and digital-out-of-home market sectors.

### US

[sales@assured-systems.com](mailto:sales@assured-systems.com)

Sales: +1 347 719 4508  
Support: +1 347 719 4508

1309 Coffeen Ave  
Ste 1200  
Sheridan  
WY 82801  
USA

### EMEA

[sales@assured-systems.com](mailto:sales@assured-systems.com)

Sales: +44 (0)1785 879 050  
Support: +44 (0)1785 879 050

Unit A5 Douglas Park  
Stone Business Park  
Stone  
ST15 0YJ  
United Kingdom

VAT Number: 120 9546 28  
Business Registration Number: 07699660