



Industrial Solutions Partner!

SSD5055-I V1

50.5" Resizing LCD, 1000 nits LED backlight, 3840 x 536 ultra-wide aspect ratio 16:2.2

The SSD5055-I is a 50.5 inch color TFT-LCD display with special aspect ratio 16:2.2 and wide resolution 3840 x 536. It is Litemax's Spanpixel series product which designed for high brightness 1000 nits with power efficiency LED backlight. It provides LCD panel with specific aspect ratios and sunlight readable for digital signage, public transportation, exhibition hall, department store, and vending machine.

Key Features

- Resizing LCD
- Ultra-Wide Screen (16 : 2.2)
- High Brightness 1000 nits
- Sunlight Readable
- LED Backlight
- Slim Bezel
- BL MTBF: 100,000 hours



Specifications

Model Name	SSD5055-I
Description	50.5" Resizing LCD, 1000 nits LED backlight, 3840x536
Screen Size	50.5"
Display Area (mm)	1270.080(H) x 179.020(V)
Brightness	1000 cd/m ²
Resolution	3840x536
Aspect Ratio	16 : 2.2
Contrast Ratio	5400 : 1
Pixel Pitch (mm)	0.33075(H) x 0.334(V)
Pixel Per Inch (PPI)	77
Viewing Angle	178°(H), 178°(V)
Color Saturation (NTSC)	83%
Display Colors	1.07G
Response Time (Typical)	9.5ms
Panel Interface	V-by-One
Input Interface	DVI-D, HDMI, DP
Input Power	AC100~240V
Power Consumption	62W
OSD Key	5 Keys (Power Switch, Menu, +, -, Exit)
OSD Control	Brightness, Color, Contrast, Auto Turing, H/V Position...etc
Dimensions (mm)	1311 x 215.9 x 68.4
Bezel Size(U/B/L/R)	18.4/18.4/20.5/20.5 mm
Weight (Net)	14 kg
Mounting	300x100, 650x100
Operating Temperature	0 °C ~ 50 °C
Storage Temperature	-20 °C ~ 60 °C

SSD= Panel + LED Driving Board + AD Control Board + Housing

Specifications are subject to change without notice.
All brands or product names are trademarks or registered trademarks of their respective companies.

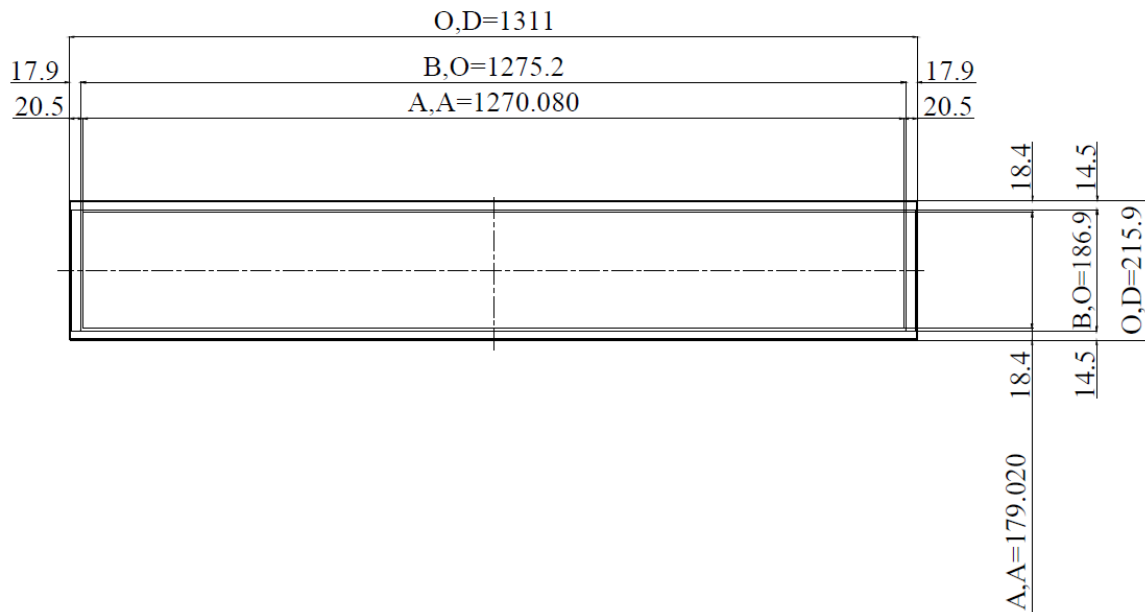
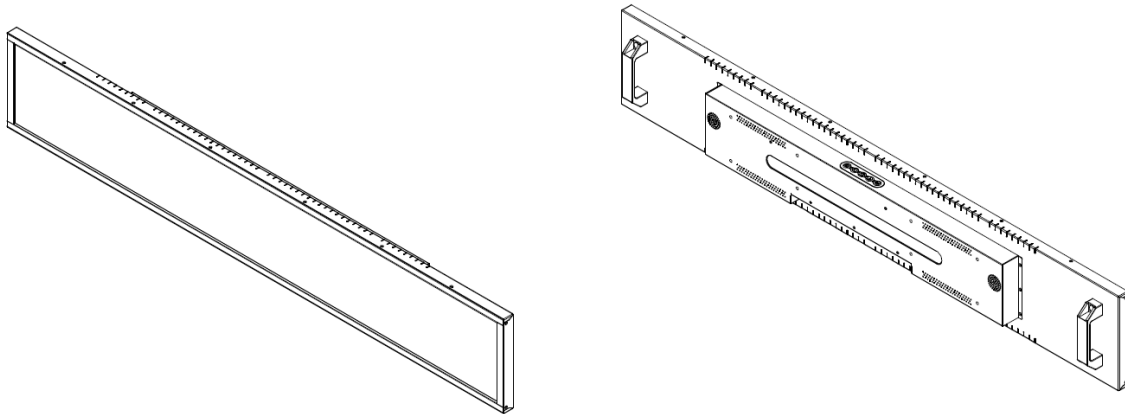


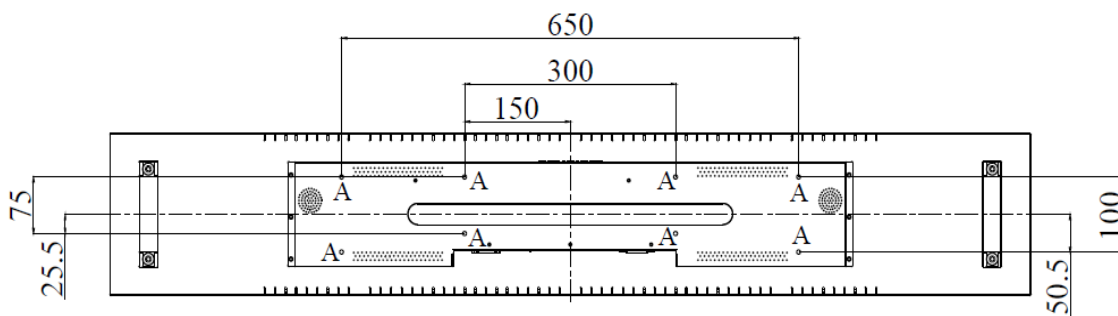
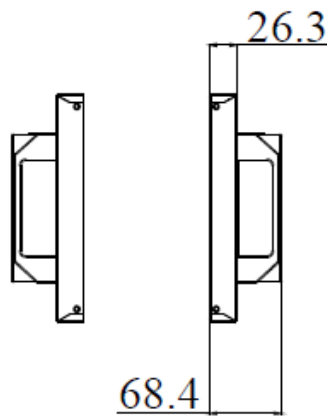
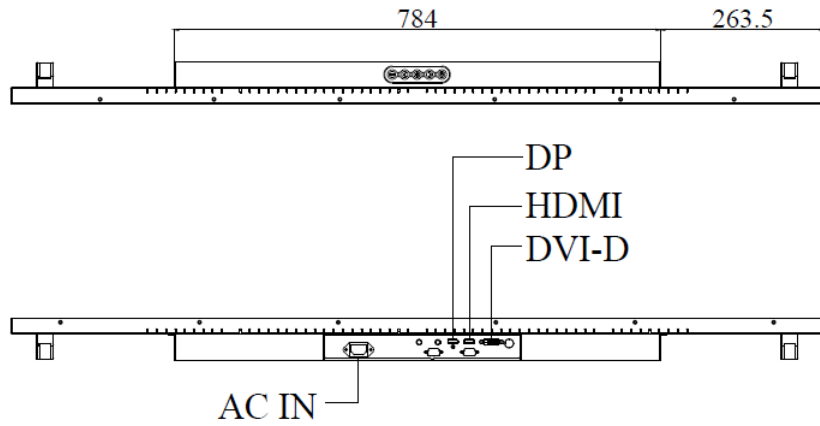
Industrial Solutions Partner!

Mechanical Drawing

Outline Dimensions

Unit: mm





NOTE :

- O.D. : OUTLINE DIMENSION
- B.O. : BEZEL OPENING
- A.A. : LCD ACTIVE AREA
- A : 8-M6_USER HOLE_MAX Depth=8mm



Industrial Solutions Partner!

Ordering Information

Part Number	Description
SSD5055-INU-N01	50.5",1000nits,3840x536,LID50C,AD2796DHP,O/B,AC100~240V,3in1,V1

Optional Accessories

Part Number	Description
810618301010	CABLE,POWER,AC,1830mm USA type
810618301090	CABLE,POWER,AC,1830mm Europe type
810618301050	CABLE,POWER,AC,1830mm UK type
810618301170	CABLE,POWER,AC,1830mm Australia type
810618301031	CABLE,POWER,AC,1830mm Japan type

By Customer Request

Glass	Tempered glass, AR coating.....
-------	---------------------------------

Assured Systems

Assured Systems is a leading technology company with over 1,500 regular clients in 80 countries, deploying over 85,000 systems to a diverse customer base in 12 years of business. We offer high-quality and innovative rugged computing, display, networking and data collection solutions to the embedded, industrial, and digital-out-of-home market sectors.

US

sales@assured-systems.com

Sales: +1 347 719 4508

Support: +1 347 719 4508

1309 Coffeen Ave
Ste 1200
Sheridan
WY 82801
USA

EMEA

sales@assured-systems.com

Sales: +44 (0)1785 879 050

Support: +44 (0)1785 879 050

Unit A5 Douglas Park
Stone Business Park
Stone
ST15 0YJ
United Kingdom

VAT Number: 120 9546 28

Business Registration Number: 07699660