

## ViTAM-121P/R/G(H)

21.5" IP66 / IP69K Stainless Steel Display

Industrial Panel PC

HMI Controller

Industrial Display Monitor

Box PC



### Features

- 21.5" New Generation Stainless Steel Display
- True Flat Front Bezel Design and Grade 304 Stainless Steel Enclosure (Grade 316 for Option)
- IP66/IP69K Rated with M12 (W.F.) Connectors
- Support Resistive Touch, Projected Capacitive Touch, and Glass
- Touch on/off Button on the Side Edge for Hygienic Cleaning
- Support Ergonomic Versatile Mounting: Yoke Mounting / Space-saving VESA 100 x 100 mm Mounting

### Specifications

IO Port	
VGA	1 x M12 12-pin for VGA with waterproof cover and chain
HDMI	1 x W.F. HDMI with waterproof cap
USB	1 x M12 USB 2.0 with waterproof cover and chain
Speaker	1 x 2W IP65 speaker (option)
OSD Control Membrane	OSD on the rear side
Power Connector	1 x M12 3-pin for DC power with waterproof cover and chain

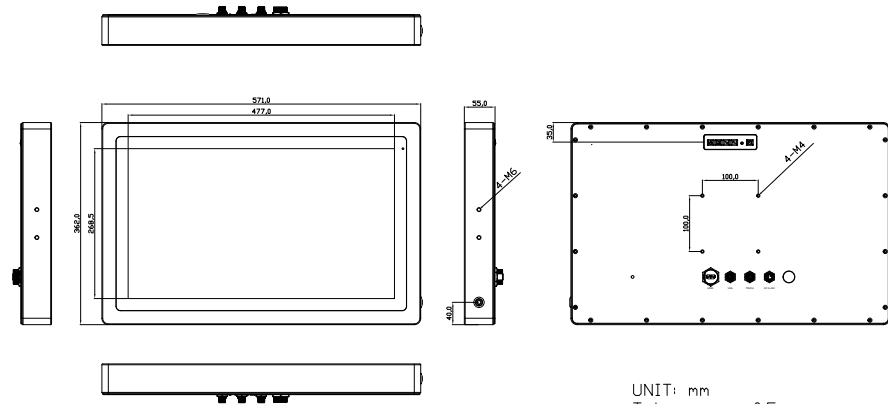
Display	Standard	High Brightness Optional
Display Type	21.5" TFT-LCD	21.5" TFT-LCD
Max. Resolution	1920 x 1080	1920 x 1080
Max. Color	16.7M	16.7M
Luminance (cd/m <sup>2</sup> )	250	1000
View Angle	178(H)/178(V)	178(H)/178(V)
Contrast	3000:1	3000:1
Backlight Lifetime	30,000 hrs	50,000 hrs

Touch Screen	
Type	Resistive Touch (for R model) Projected Capacitive Touch (for P model) Glass (for G model)
Interface	USB
Light Transmission(%)	Resistive Touch : 80% Projected Capacitive : 90%

Power	
Power Input	DC 9~36V
Power Consumption	ViTAM-121R: Max 19W ViTAM-121PH: Max 25W

Mechanical	
Construction	304 Stainless steel chassis(default), 316 Stainless steel chassis(optional)
Mounting	VESA Mount 100 x 100, Yoke mount (option)
IP Rating	Total IP66/IP69K
Dimensions	571 x 362 x 55 mm
Net Weight	9.5 kg

### Dimensions



UNIT: mm  
Tolerance: 0.5

Environmental	
Operating Temperature	0~50°C
Storage Temperature	-30~70°C
Humidity	10 to 95% @ 40°C, non- condensing
Certificate	CE/FCC Class A

Ordering information	
ViTAM-121P	21.5" FHD IP66/IP69K stainless steel display, VGA/HDMI input, OSD on the rear side, projected capacitive touch, 9~36V DC power input with Adapter
ViTAM-121R	21.5" FHD IP66/IP69K stainless steel display, VGA/HDMI input, OSD on the rear side, 5 wire resistive touch window, 9~36V DC power input with Adapter
ViTAM-121G	21.5" FHD IP66/IP69K stainless steel display, VGA/HDMI input, OSD on the rear side, protection glass, 9~36V DC power input with Adapter
ViTAM-121PH	21.5" FHD IP66/IP69K stainless steel display, VGA/HDMI input, OSD on the rear side, projected capacitive touch, 9~36V DC power input with Adapter, 1,000 nits LCD
ViTAM-121RH	21.5" FHD IP66/IP69K stainless steel display, VGA/HDMI input, OSD on the rear side, 5 wire resistive touch window, 9~36V DC power input with Adapter, 1,000 nits LCD
ViTAM-121GH	21.5" FHD IP66/IP69K stainless steel display, VGA/HDMI input, OSD on the rear side, protection glass, 9~36V DC power input with Adapter, 1,000 nits LCD

## Assured Systems

Assured Systems is a leading technology company with over 1,500 regular clients in 80 countries, deploying over 85,000 systems to a diverse customer base in 12 years of business. We offer high-quality and innovative rugged computing, display, networking and data collection solutions to the embedded, industrial, and digital-out-of-home market sectors.

### US

[sales@assured-systems.com](mailto:sales@assured-systems.com)

Sales: +1 347 719 4508  
Support: +1 347 719 4508

1309 Coffeen Ave  
Ste 1200  
Sheridan  
WY 82801  
USA

### EMEA

[sales@assured-systems.com](mailto:sales@assured-systems.com)

Sales: +44 (0)1785 879 050  
Support: +44 (0)1785 879 050

Unit A5 Douglas Park  
Stone Business Park  
Stone  
ST15 0YJ  
United Kingdom

VAT Number: 120 9546 28  
Business Registration Number: 07699660