

R15L100-OFA1TR

15" Open Frame Transflective Display



KEY FEATURES

- 15", 1024 x 768
- VGA and HDMI input
- Open frame
- VESA mount
- Transflective

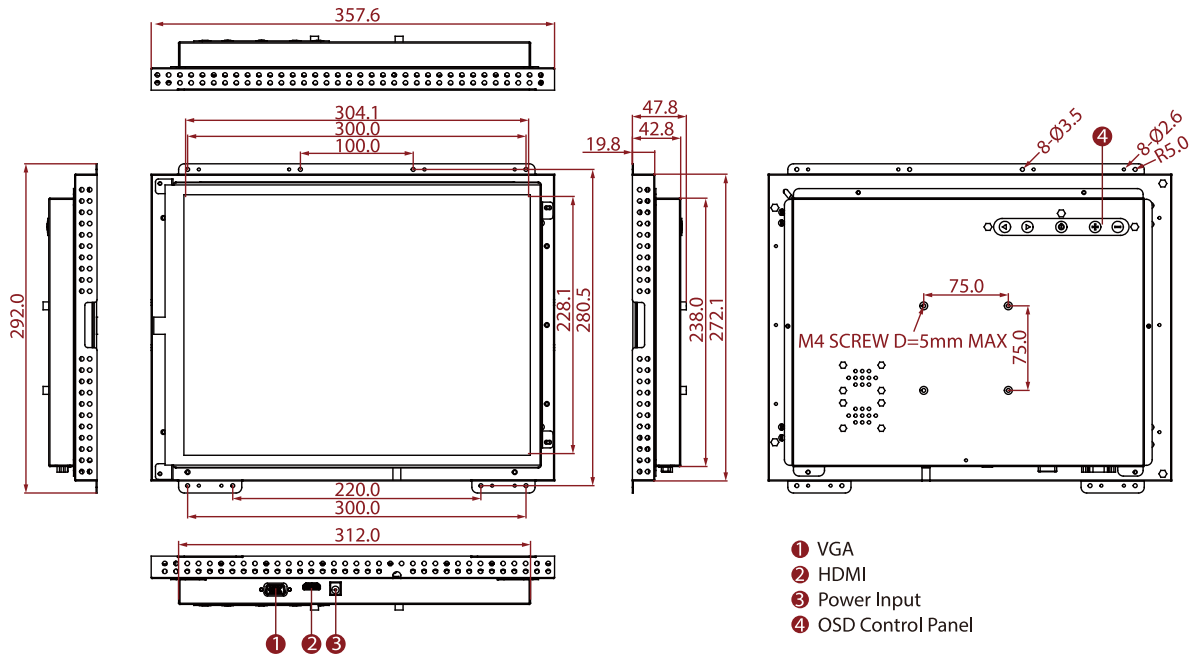


SPECIFICATIONS

| Display | | | |
|----------------------------|--|------------------------------|---|
| Resolution | 1024x768 | Size | 15.0 inches |
| Contrast Ratio | 700:1 | Panel Brightness | 610.0 nits |
| Display Color | 16.2M Colors | View Angles | 88,88,88,88 |
| Active Area | 304.1x228.1 mm | Touch / Glass | Resistive Touch Screen (Optional) Protection Glass w/o Touch Function (Optional) SAW Touch (Surface Acoustic Wave) (Optional) |
| Environment | | | |
| Operating Humidity | 10% to 90% RH, Non-Condensing | Operating Temperature | 0°C to 50°C |
| Storage Temperature | -10°C to 60°C | | |
| Certification | | | |
| Certification | CE, FCC | | |
| IO Ports | | | |
| USB Port | 1 x USB for Touch Screen (Optional) | Video | 1 x VGA 1 x HDMI (Optional) 1 x DVI (Optional) |
| Audio | Audio line in (3.5mm) (Optional) 2 x Speaker (Optional) | | |
| Mechanical | | | |
| Dimension | 358 x 293 x 53 mm | Mounting | VESA Mount/ Rear Mount |
| Enclosure | Metal | Cooling System | Fanless Design |
| Accessory | | | |
| Accessory | 1 x VGA cable 1 x HDMI cable 100~240V AC to DC Adapter Power Cord Manual VESA screws(Varies by product) | Optional Accessory | Remote Controller (Optional,Varies by product) |
| Power | | | |
| Power Rating | 12V DC in 24V DC in (optional) | | |
| Control | | | |

Button 5 Keys: -, +, Power, Esc, Enter

DIMENSIONS UNIT:MM



NOTE

1. This is a simplified drawing and some components are not marked in detail.
2. Please contact our sales representative if you need further product information.
3. All specifications are subject to change without prior notice.
4. The product shown in this datasheet is a standard model. For diagrams that contain customized or optional I/O, please contact the Winmate Sales Team for more information.

Assured Systems

Assured Systems is a leading technology company with over 1,500 regular clients in 80 countries, deploying over 85,000 systems to a diverse customer base in 12 years of business. We offer high-quality and innovative rugged computing, display, networking and data collection solutions to the embedded, industrial, and digital-out-of-home market sectors.

US

sales@assured-systems.com

Sales: +1 347 719 4508
Support: +1 347 719 4508

1309 Coffeen Ave
Ste 1200
Sheridan
WY 82801
USA

EMEA

sales@assured-systems.com

Sales: +44 (0)1785 879 050
Support: +44 (0)1785 879 050

Unit A5 Douglas Park
Stone Business Park
Stone
ST15 0YJ
United Kingdom

VAT Number: 120 9546 28
Business Registration Number: 07699660