

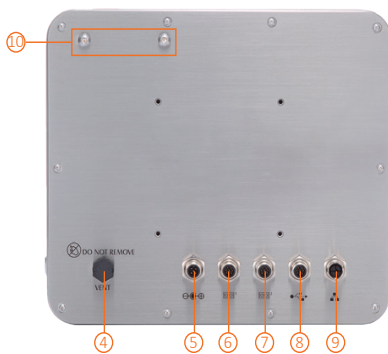
GOT810-316 NEW

10.4" XGA TFT IP66 & IP69K-rated Stainless Steel Fanless PCT Panel Computer with Intel® Celeron® N3350 and Flat Bezel Design (0°C to +50°C)



Features

- 10.4" XGA TFT LCD flat bezel projected capacitive touch
- IP66/IP69K-rated (NEMA 4X) water/dust/corrosion-proof design
- Full stainless steel enclosure with type 316
- 0°C to +50°C wide operating temperature range
- Fanless design with Intel® Celeron® N3350
- M12 type I/O connectors for harsh environments



▲ Side view

- | | |
|-----------------------|--|
| 1. Brightness adjust | 6. 1 x RS-232/422/485 (default RS-232) |
| 2. Backlight on/off | 7. 1 x RS-232 |
| 3. Power on/off | 8. 2 x USB 2.0 |
| 4. Ventilation valve | 9. 1 x Ethernet |
| 5. DC power connector | 10. 2 x Antenna opening |

Introduction

The 10.4-inch GOT810-316 is specially designed for food processing applications. Its IP66-rated stainless steel housing protects entire system from damage of water, powder, and dust. It also supports a wide operating temperature range from 0°C to +50°C. This robust unit is specifically designed for food processing applications.

Full IP66 and IP69K Compliance

The GOT810-316 adopts a water/dust-proof housing design with five IP66-rated M12 I/O connectors and IP69K compliance that ensures the product's ability to resist ingress of high temperature and high pressure water. It passed entire system IP66 test by SGS, and verified salt mist test. Additionally, it was tested by a spray nozzle with high temperature water (+80°C), a flow rate of 14 to 16 L/min and a nozzle hold with distance 10 to 15 cm away from the device at angles of 0°, 30°, 60° and 90° for 30 seconds. The GOT810-316 is qualified to meet harsh-environment applications.

Specifications

Enclosure	Stainless type 316	
LCD Panel	Display Type	10.4" XGA TFT LCD
	Brightness (cd/m ²)	450 nits
	Resolution	1024 x 768
	Viewing Angle (H/V)	170°/170°
Main System	CPU	Intel® Celeron® processor N3350 2 cores (up to 2.4GHz)
	Chipset	SoC integrated
	System Memory	1 x 204-pin DDR3L-1600 SO-DIMM, up to 8GB
	BIOS	AMI UEFI BIOS
	Storage	1 x mSATA
		1 x 2.5" SATA HDD (9.5 mm height)
	Watchdog Timer	255 levels, 1 to 255 sec.
Onboard Graphics	Integrated in Intel® GFX	
I/O Connector	1 x RS-232/422/485 (default RS-232, M12 A-coded)	
	1 x RS-232 (M12 A-coded)	
	2 x USB 2.0 (M12 A-coded)	
	1 x 10/100/1000 Mbps Ethernet (M12 X-coded)	
	1 x DC power connector (M12)	
Expansion Interface	1 x Full-size PCI Express Mini Card slot with mSATA	
	1 x Full-size PCI Express Mini Card slot with SIM	
Touchscreen	Projected capacitive multi-touch	
Power Input	DC connector: 12 VDC or 19 to 24 VDC in cable M12 female 5P	
Power Consumption	36W	
Dimensions	283.1 mm (11.15") (W) x 239.5 mm (9.43") (H) x 55.2 mm (2.17") (D)	
Packing Dimensions	415 mm (16.34") (W) x 315 mm (12.4") (H) x 100 mm (3.94") (D)	
Weight (net/gross)	3.47 kg (7.65 lb)/5.18kg (11.42 lb)	
Operating Temperature	0°C to +50°C (32°F to +122°F)	
Relative Humidity	20%- 90% @40°C; non-condensing	
Operation Vibration	2G, 5- 500Hz, random for SSD	
Certifications	CE	

Ordering Information

GOT810-316-C (P/N: E22B810107)	10.4" IP66 & IP69K stainless steel touch panel computer with projected capacitive touch, Intel® Celeron® N3350, XGA 450 nits LCD, and water-proof power cable (1.8 m)
-----------------------------------	---

Packing List

1 x GOT810-316
1 x DC in cable M12 female 5P

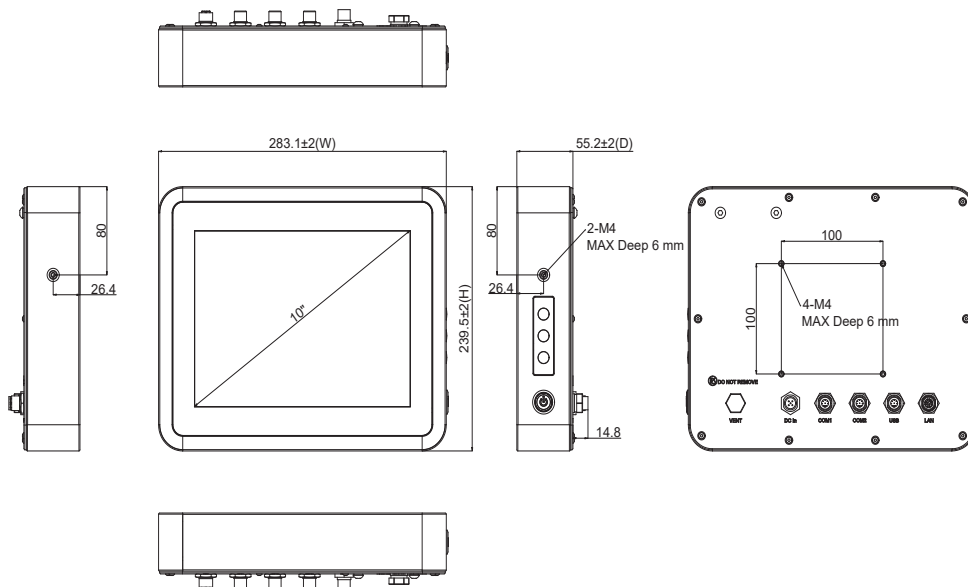
Optional Accessories

594B8122100E	Water-proof COM cable (1.8 m)
594B8122820E	USB cable M12-8P-F/2 x type A (1.8 m)
594B8152710E	Water-proof LAN cable (1.8 m)
509000002200	Adapter 24V 90W, M12 A-code 5P
594B8120B30E	DC in cable M12 female 5P 180cm w/o ACC

Optional OS Installation

Windows® 10

Dimensions



Assured Systems

Assured Systems is a leading technology company with over 1,500 regular clients in 80 countries, deploying over 85,000 systems to a diverse customer base in 12 years of business. We offer high-quality and innovative rugged computing, display, networking and data collection solutions to the embedded, industrial, and digital-out-of-home market sectors.

US

sales@assured-systems.com

Sales: +1 347 719 4508
Support: +1 347 719 4508

1309 Coffeen Ave
Ste 1200
Sheridan
WY 82801
USA

EMEA

sales@assured-systems.com

Sales: +44 (0)1785 879 050
Support: +44 (0)1785 879 050

Unit A5 Douglas Park
Stone Business Park
Stone
ST15 0YJ
United Kingdom

VAT Number: 120 9546 28
Business Registration Number: 07699660