

EIC

2000



NXP i.MX 8M Plus Edge AI Computing System



^ Base Transceiver Station



- Industrial-grade NXP i.MX 8M Plus Quad Core Arm Cortex-A53 Processor, embedded Neural Processing Unit, up to 2.3 TOPS AI performance
- Supports up to 3840 x 2160 4K UHD
- 2 GigE LAN with 1 TSN supported
- 2 SIM sockets for multiple WiFi/BT/5G/4G/LTE/GPRS/UMTS
- Optional 6-bit GPIO and 2 CAN Bus supports Flexible Data-rate
- 9V to 55V wide range DC Power Input
- Fanless -25°C to 70°C operation

v Smart Manufacturing



^ Irrigation System



Specifications

System

| | |
|--------|---|
| CPU | NXP i.MX 8M Plus Quad Core Arm Cortex-A53 processor |
| Memory | 1 LPDDR4 SDRAM, 4GB |
| OS | Ubuntu 20.04 LTS |

I/O Interface

| | |
|-----------|--|
| USB | 2 USB 3.0 Type A |
| Serial | 2 COM RS-232/422/485 |
| GPIO | 6-bit GPIO (Optional) |
| CAN Bus | 2 CAN Bus support CAN FD (Optional) |
| Micro USB | 1 Micro USB console debug port |
| Button | - 1 User-define Button - 1 Reset Button |
| LED | Power, Ready, 2 WLAN |
| SIM | 2 Nano SIM Card Socket |
| Antenna | 6 Antenna for WiFi/BT/5G/4G/LTE/GPRS/UMTS |

Expansion

| | |
|-----------|--|
| M.2 | 1 M.2 Key B Socket (3042/3052, PCIe/USB3(Default)) |
| Mini PCIe | 1 Full-size Mini PCIe Socket |

Graphics

| | |
|--------------|---|
| Interface | 1 Digital Display, up to 3840 x 2160 @30Hz |
| Video Encode | - HEVC : Up to 1080p @60 - H.264 : Up to 1080p @60 |
| Video Decode | - HEVC : Up to 1080p @60 - H.264 : Up to 1080p @60 |

Storage

| | |
|------|--------------------------------------|
| eMMC | 1 eMMC, 32GB |
| SD | 1 Micro SD, supports SDHC (External) |

Ethernet

| | |
|-------|---|
| LAN 1 | 10/100/1000 Base-T Ethernet GigE LAN supports TSN, RJ45 Connector |
| LAN 2 | 10/100/1000 Base-T Ethernet GigE LAN, RJ45 Connector |

Power

| | |
|-----------------|---|
| Power Input | DC 9V to 55V |
| Power Interface | 3-pin Terminal Block : V+, V-, Frame Ground |

Mechanical

| | |
|------------|--|
| Dimensions | 130 mm x 78.5 mm x 42 mm (5.12" x 3.09" x 1.65") |
| Weight | 0.5 kg (1.1 lbs) |
| Mounting | - Wallmount by mounting bracket - DIN Rail Mount (Optional) |

Environment

| | |
|-------------------|--|
| Operating Temp. | -25°C to 70°C (-13°F to 158°F) |
| Storage Temp. | -40°C to 85°C (-40°F to 185°F) |
| Humidity | 5% to 95% Humidity, non-condensing |
| Relative Humidity | 95% @70°C |
| Shock | Operating, MIL-STD-810G, Method 516.7, Procedure I |
| Vibration | Operating, MIL-STD-810G, Method 514.7, Procedure I, Category 4 |
| EMC | CE, FCC, EN50155, EN50121-3-2 |

* All product information may subject to change without prior notice.
* The rights of all brand names, product names and trademarks belong to their respective owners.
Copyright © 2023 Vecow Co., Ltd. All rights reserved.

Vecow info@vecow.com



Order Information

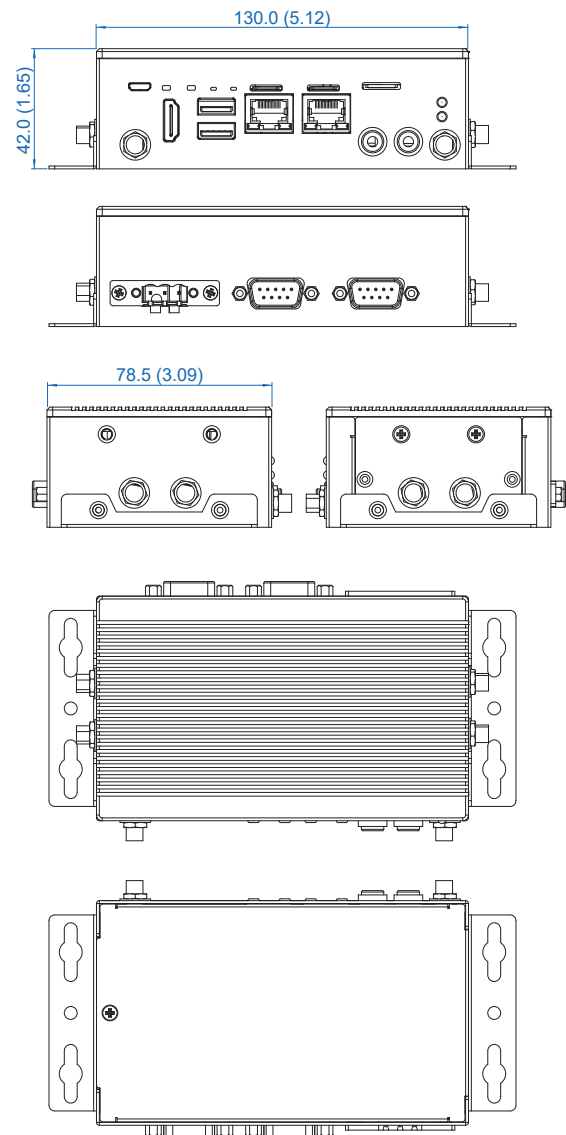
| Model Name | Platform | LAN | USB 3.0 | Serial | Digital Display | M.2 | SIM |
|------------|------------------|-----|---------|--------|-----------------|-----|-----|
| EIC-2000 | NXP i.MX 8M Plus | 2 | 2 | 2 | 1 | 1 | 2 |

Accessories

| | |
|------------------|--|
| PWA-60WP3-WT | 60W, 24V, 90V AC to 264V AC Power Adapter with 3-pin Terminal Block, Wide Temperature -30°C to +70°C |
| PWA-60WP3-WT-12V | 60W, 12V, 90V AC to 264V AC Power Adapter with 3-pin Terminal Block, Wide Temperature -30°C to +70°C |
| DIN-RAIL | DIN Rail Kit |
| 5G Module | 5G Module with Antenna |
| 4G Module | 4G/GPS Module with Antenna |
| WiFi & Bluetooth | WiFi & Bluetooth Module with Antenna |

Dimensions & Drawing

Unit : mm (inch)



Assured Systems

Assured Systems is a leading technology company with over 1,500 regular clients in 80 countries, deploying over 85,000 systems to a diverse customer base in 12 years of business. We offer high-quality and innovative rugged computing, display, networking and data collection solutions to the embedded, industrial, and digital-out-of-home market sectors.

US

sales@assured-systems.com

Sales: +1 347 719 4508
Support: +1 347 719 4508

1309 Coffeen Ave
Ste 1200
Sheridan
WY 82801
USA

EMEA

sales@assured-systems.com

Sales: +44 (0)1785 879 050
Support: +44 (0)1785 879 050

Unit A5 Douglas Park
Stone Business Park
Stone
ST15 0YJ
United Kingdom

VAT Number: 120 9546 28
Business Registration Number: 07699660