

R08IP8M-RTU1ML

8.4" Intel® Pentium® N4200 Defence Ultra Rugged Tablet



KEY FEATURES

- Intel® Pentium® N4200 Apollo Lake Processor, 8.4inch Defence rugged tablet
- 8.4" 800 x 600 Resolution Transflective TFT-LCD Panel
- With daylight-readable screen 600 nits optical bonding for clarity increasing and readability enhancing
- Ecological seals protect ports as well as connectors from moisture and dust
- Adjustable Kickstand that is Convertible to a handle
- Magnesium Alloy Housing with All-Around Elastomeric Rubber
- MIL-STD-38999 connector for LAN/USB2.0, RS232/RS422 and DC Power Input

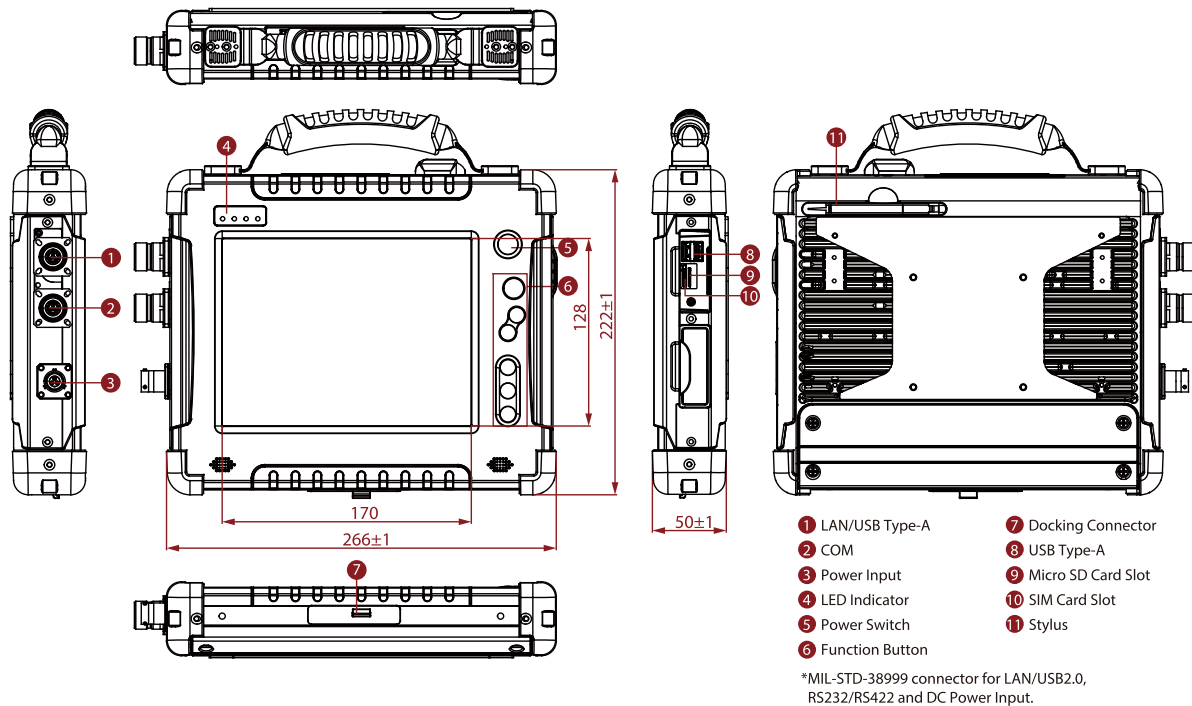


SPECIFICATIONS

| Display | | | |
|----------------------------|--|-------------------------------|---|
| Resolution | 800x600 | Size | 8.4 inches |
| Contrast Ratio | 600:1 | Panel Brightness | 600 nits |
| View Angles | 75,75,60,70 | Touch / Glass | Resistive Touch Screen |
| System Specification | | | |
| Processor | Intel Pentium N4200 1.1GHz (up to 2.5GHz) | Memory | SO-DIMM, 4GB DDR3L 1866 MHz SO-DIMM, 8GB DDR3L 1866 MHz (Optional) |
| Storage | 64GB M.2 SSD 128GB M.2 SSD (Optional) 256GB M.2 SSD (Optional) 512GB M.2 SSD (Optional) | Security | TPM 2.0 |
| Operating System | Windows 10 IoT Enterprise (64 bit) | WLAN | 802.11 a/b/g/n/ac |
| BT | Support | WWAN | 4G/ LTE or 3G (Optional) |
| GNSS | Supports GPS GLONASS, Galileo, BeiDou (Optional) | | |
| Mechanical | | | |
| Dimension | 266 x 222 x 50 mm | Weight | 2.4 kg |
| Enclosure | Aluminum Magnesium Alloy Housing with Protective Rubber | Cooling System | Fanless Design |
| Docking Housing | nan | | |
| Power | | | |
| Battery | 11.1V, 5200mAh Lithium-Ion Battery (6cells) | Battery Operating Time | 8 Hours |
| Power Rating | 9-36V DC in (MIL-DTL-38999/1 connector) | Adapter | 100-240V, 50-60Hz / 19V DC |
| Environment | | | |
| Operating Humidity | 10% to 90% RH, non-condensing | Operating Temperature | -20°C to 60°C (AC mode), -10°C to 50°C (Battery mode) |
| Storage Temperature | -30°C to 70°C (-22°F to 158°F) | Shock | MIL-STD-810G Method 516.6 Procedure I |
| Vibration | MIL-STD-810G Method 514.6 Procedure I | IP rating | IP54 |

| | | | |
|----------------------|--|---------------------------|--|
| Drop | MIL-STD-810G Method 516.6, 4 ft | | |
| Certification | | | |
| Certification | CE, FCC | | |
| Control | | | |
| Button | 1 x Power, 1 x Menu, 3 x Function Key, 2 x Brightness Control Key | | |
| Accessory | | | |
| Accessory | Cordon d'alimentation et adaptateur Batterie standard Guide de démarrage rapide Manuel papier + CD Stylet Câble alimentation + Ethernet MILSTD38999 Câble RS232/RS422/RS852 MILSTD38999 | Optional Accessory | Station d'accueil multifonctions Kit d'adaptation pour véhicule Chargeur voiture Lanière pour main Lanière épaule Sacoche |
| IO Ports | | | |
| USB Port | 2 x USB 3.0, 1 x USB 2.0(MIL-STD-38999 connector) | Serial Port | 1 x RS232/RS422 Serial COM Port(MIL-STD-38999 connector) |
| SD Card Slot | 1 x Micro SD Card Slot | SIM Card Slot | 1 x Micro SIM Card Slot |
| Audio | 2 x 1 Watt Speaker | LAN | 1 x RJ45-10/100/1000 Mbps LAN(MIL-STD-38999 connector) |
| Indicator | 4x LED Indicator for Power, Battery, SSD, RF status | | |
| Camera | | | |
| Front Camera | 2MP Front Camera (Optional) | Rear Camera | 5MP Rear Camera with auto-focus (Optional) |

DIMENSIONS UNIT:MM



*MIL-STD-38999 connector for LAN/USB2.0, RS232/RS422 and DC Power Input.

NOTE

1. Measured at dimming LCD brightness. Varies depending on the usage conditions or when an external device is attached.
2. This is a simplified drawing, and some components are not marked in detail.
3. Default uses the silver defence connector with RoHs, optional green defence connector without RoHs.

Assured Systems

Assured Systems is a leading technology company with over 1,500 regular clients in 80 countries, deploying over 85,000 systems to a diverse customer base in 12 years of business. We offer high-quality and innovative rugged computing, display, networking and data collection solutions to the embedded, industrial, and digital-out-of-home market sectors.

US

sales@assured-systems.com

Sales: +1 347 719 4508
Support: +1 347 719 4508

1309 Coffeen Ave
Ste 1200
Sheridan
WY 82801
USA

EMEA

sales@assured-systems.com

Sales: +44 (0)1785 879 050
Support: +44 (0)1785 879 050

Unit A5 Douglas Park
Stone Business Park
Stone
ST15 0YJ
United Kingdom

VAT Number: 120 9546 28
Business Registration Number: 07699660