

WMP-171/171D

17" Core 2 Duo Medical Panel PC



Key Features

- 17" mid-range medical grade panel PC
- Anti-bacteria plastic housing and medical 60601-1 3rd edition certification
- Core 2 Duo 2.2G CPU / Intel GME965 + ICH8M chipset
- 17" 1280x1024 380 nits LCD & resistive touch panel
- Full expansion capability with PCI slot, mini PCIe & mini PCI sockets
- Variable speed low noise fan and HDD anti-vibration design
- Integrated 2 watts x 2 speakers
- Optional Webcam, Bluetooth, anti-bacteria desktop stand & glass

Main System

CPU	• Intel Core 2 Duo T7500 2.2GHz (dual core, 4MB L2 cache, 800MHz FSB) • Intel Celeron M550 2.0GHz (single core, 1MB L2 cache, 533MHz FSB) • Support PGA478 socket, 35W TDP (Max.)
Chipset	Intel GME965 + ICH8M
Graphics	GME965 integrated Media Accelerator X3100
Memory	4GB maximum, x 2 DDR2 SODIMM, 533/667/800MHz, 1GB/2GB/4GB
Serial ATA	SATA x 1, 150MB/s transfer rate
USB	USB 2.0, x 6 (x 4 external, x 2 internal)
COM	x 3 (external)
Audio	Realtek ALC268 audio codec, 2+2 watts amplifier
LAN	Realtek RTL8111B Gigabit Ethernet x 2
BIOS	• Award BIOS, 8M EEPROM • RTC wake up / Wake on LAN / Power on after power failure / PnP / ACPI
Speaker	2 watts x 2 (front bottom)

LCD Panel

Size	17" 5:4
Resolution	1280 x 1024 (SXGA)
Brightness	380 nits
Contrast	1000:1
Color numbers	16.7M (6-bit x 3 + FRC)
Viewing angle	170 (H) / 160 (V)
Response time	5 ms (R + F)
Backlight	CCFL x 2, 50,000 hours life time

Touch Panel

Technology	Resistive touch, 5-wire
Light transmittance	81 ± 3%
Hardness	≥ 3H
Touch stylus	No limitation
Resolution	4096 x 4096
Life time	35 million activations

Storage & Expansion

HDD	2.5" SATA HDD drive bay x 1 + anti-vibration kit, 160GB / 500GB
Expansion slot	• PCI expansion slot x 1 • Card size: 115 x 265 x 12/2 mm • Mini PCI x 1 (32-bit) • Mini PCIe x 1 (for 171D)

I/O & Control Keys

USB	USB 2.0 x 4
COM	DB-9 x 3 (RS232 x 2, RS232/422/485)
LAN	RJ-45 x 2, Gigabit
PS2	X 2, PS2 keyboard & PS2 mouse
Video-out	DVI-D x 1, VGA DB-15 x 1
Audio	Line-in, Line-out, Microphone-in (3.5 mm phone-jack)
Card reader	Standard: CF card reader Optional: Smart card reader
Power input	DC-in x 1, 12V~28V
Control keys	• Front side, membrane type • Power on/off, Brightness, Audio volume

Power

Power adaptor	External, 100 watts, 90~264V AC in, 12V DC out, medical grade, 1.2m DC cable
Power consumption	80 watts (typical, without any add-ons)

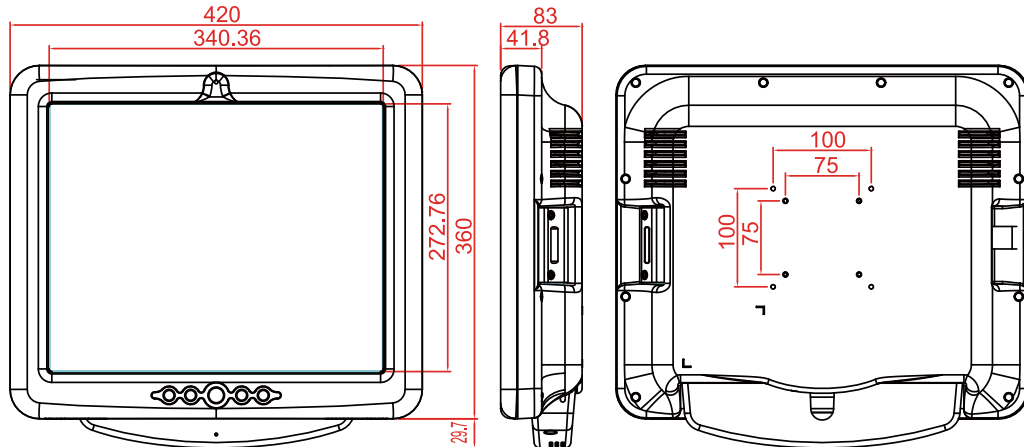
Mechanical & Environmental

Housing	• Plastic front bezel, rear cover & I/O cover / White color • Antibacterial coating
IP rating	IP65 – front side
Cooling	Variable speed smart fan design, < 30 dB (typical)
Mounting	VESA 75 x 75 / 100 x 100 mm
Kensington lock	Yes, x 1 at bottom
Dimension	420 x 360 x 83 mm (W x H x D, w/o stand)
Weight (net)	6.5 Kg (approximate, w/o power adaptor)
Temperature	• Operating – 0°C~40°C • Storage – -20°C~60°C
Humidity	Operating & storage – 10%~90%, non-condensing
Regulatory	• FCC-B, cUL, CE, VCCI • Medical 60601-1 3rd edition (EN 60601-1:2006, ANSI/AAMI ES60601-1:2005, CAN/CSA C22.2 No. 60601-1:08)

WMP-171/171D

17" Core 2 Duo Medical Panel PC

Outline Dimension

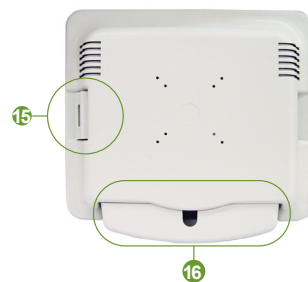
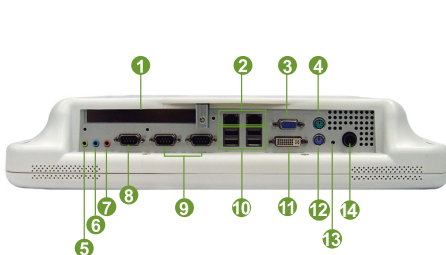


Packaging / Options / Customization

- Packaging** System, power adaptor, AC power cord, CD (drivers & manual)
- Options**
- WLAN – 802.11 b/g/n mini PCI module w/ internal antenna x 2
 - WLAN – 802.11 a/b/g/n mini PCIe module w/ internal antenna x 2 (for 171D)
 - Bluetooth 2.1 (USB)
 - Webcam (2M, USB) (for 171D)
 - Power adaptor w/ 2.4m or 3.6m DC cable
 - Anti-bacteria desktop stand (metal, white)
 - Change touch to glass



I/O Connectors



- ① PCI Slot
- ② Giga LAN x 2
- ③ VGA
- ④ PS2 Mouse
- ⑤ Line-out
- ⑥ Line-in
- ⑦ Microphone-in
- ⑧ RS232/422/485
- ⑨ RS232 x 2
- ⑩ USB x 4
- ⑪ DVI-D
- ⑫ RS2 keyboard
- ⑬ Rest
- ⑭ DC-in
- ⑮ CF card reader
- ⑯ I/O cover

Ordering Information

- CPU: Core 2 Duo 2.2G / Celeron 2.0G
- Memory: 1G / 2G / 4G
- HDD: 160G / 500G
- Webcam: None / x 1
- Power adaptor: 1.2m / 2.4m / 3.6m DC cable
- Bluetooth: None / x 1
- WLAN: None / Mini PC module / Mini PCIe module
- Desktop stand: None / x 1
- Touch: Yes / Change to glass



Web: www.wincomm.com.tw

Contact: sales_support@wincomm.com.tw

Wincomm Corporation

3F, NO. 14, Prosperity Road II, Science-Based Industrial Park,
Hsinchu, Taiwan 30078, R.O.C

Tel: +886 3 578 0000 Fax: +886 3 578 0295

Assured Systems

Assured Systems is a leading technology company with over 1,500 regular clients in 80 countries, deploying over 85,000 systems to a diverse customer base in 12 years of business. We offer high-quality and innovative rugged computing, display, networking and data collection solutions to the embedded, industrial, and digital-out-of-home market sectors.

US

sales@assured-systems.com

Sales: +1 347 719 4508
Support: +1 347 719 4508

1309 Coffeen Ave
Ste 1200
Sheridan
WY 82801
USA

EMEA

sales@assured-systems.com

Sales: +44 (0)1785 879 050
Support: +44 (0)1785 879 050

Unit A5 Douglas Park
Stone Business Park
Stone
ST15 0YJ
United Kingdom

VAT Number: 120 9546 28
Business Registration Number: 07699660