

# WMP-197 V

## 19" Core i Fanless Medical Panel PC



### Key Features

- Front full flat resistive touch with IP65 rating
- Fanless operating w/ reliable thermal design
- Anti-bacteria plastic housing
- Medical 60601-1 3<sup>rd</sup> edition certification
- 19" 5:4 SXGA 1280x1024 350 nits LCD w/ LED backlight
- Intel 3rd Generation (Ivy Bridge) Core i5/i7 CPU
- PCI-E/PCI expansion and two mini-PCIe sockets
- Optional internal battery pack for 25 minutes operating
- Optional WLAN, Webcam, Bluetooth and RFID reader
- Customization for LAN/COM/USB isolation, change touch to glass

### Main System

**CPU**

- Intel Core i5-3317U 1.7GHz (Dual Core, 3MB cache)
- Intel Core i7-3517U 1.9GHz (Dual Core, 4MB cache)
- Intel Core i3-3217U 1.8GHz (Dual Core, 3MB cache)
- Intel Celeron 847E 1.1GHz (Dual Core, 2MB cache)
- Core i CPU w/ BGA1023 package and 17W TDP

**Chipset** Intel® BD82HM65 PCH

**Graphics**

- Intel Core i7-3517U /Core i5-3317U /Core i3-3217U: Intel HD Graphics HD 4000
- Celeron 847E: Intel HD Graphics

**Memory** 8GB maximum, x 2 DDR3 SODIMM, 1066/1333MHz, 2GB/4GB/8GB

**Serial ATA** SATA2 x 2, 300MB/s transfer rate

**COM** x 7 (socket), USB 2.0 (x 4 external, x 3 internal)

**USB** x 6 (x 2 external, x 4 internal)

**Audio** Realtek ALC262 audio codec, 2+2 watts amplifier

**LAN** Marvell 88E8071 Gigabit Ethernet x 2

**BIOS**

- AMI BIOS, 4M EEPROM

- RTC wake up / Wake on LAN / Power on after power failure / PnP / ACPI

**Speaker** 2 watts x 2 (front bottom)

### LCD Panel

**Size** 19" 5:4  
**Resolution** SXGA 1280 x 1024  
**Brightness** 350 nits  
**Contrast** 1000:1  
**Color numbers** 16.7M (6-bit x 3 + Hi FRC)  
**Viewing angle** 170 (H) / 160 (V)  
**Response time** 5 ms (R + F)  
**Backlight** LED, 50,000 hours life time

### Touch Panel

**Type** Front full flat customized touch panel  
**Technology** Resistive touch, 5-wire  
**Light transmittance** > 78% (at 550 nm wavelength)  
**Hardness** 3H  
**Touch stylus** No limitation  
**Resolution** 4096 x 4096  
**Life time** 35 million activations

### Storage & Expansion

**HDD** 2.5" SATA HDD drive bay x 1 + anti-vibration kit, 160GB / 500GB  
**Expansion slot**

- PCI-E (x16) x 1 (or PCI x 1) (Optional)
- Card size: 100 x 155 x 18/0.5 mm or 68 x 220 x 18/0.5 mm
- Mini PCIe x 2 (52 pin card-edge type)

### I/O & Control Keys

**USB** USB 2.0 x 4  
**COM** DB-9 x 2 (RS232, RS232/422/485 <w/ auto flow control>)  
**LAN** RJ-45 x 2, Gigabit  
**Video-out** DVI-I x 1  
**Audio** Line-out, Microphone-in (3.5 mm phone-jack)  
**Power input** DC-in x 1, 6V~32V  
**Control keys**

- Front side, projected capacitive type
- Power on/off, Brightness, Audio volume, Backlight on/off, Touch on/off

### Power

**Power adaptor** External, 100 watts, 90~264V AC in, 12V DC out, medical grade, 1.2m DC cable  
**Power consumption** 65 watts (typical, without any add-ons)  
**Internal battery (optional)**

- Lithium-Ion, 29Wh, for 25 minutes operating (approx.), 2S2P
- Charge time: 2 hours (system off), 3.5 hours (system on)

### Mechanical & Environmental

**Housing**

- Front: Full flat design / Touch (standard), Glass (Customization)
- Rear: Plastic + I/O cover w/ antibacterial treatment

**Color** . Housing: White . Control key icons: Grey  
**IP rating** IP65 – front side  
**Cooling** Fanless w/ back cover aluminum thermal plate  
**Mounting** VESA 75 x 75 / 100 x 100 mm  
**Kensington lock** Yes, x 1 at bottom  
**Dimension** 450 x 420 x 85.3 mm (W x H x D, w/o stand)  
**Weight (net)** 7.5 Kg (approximate, w/o power adaptor)  
**Temperature**

- Operating – 0°C~35°C
- Storage – -20°C~60°C

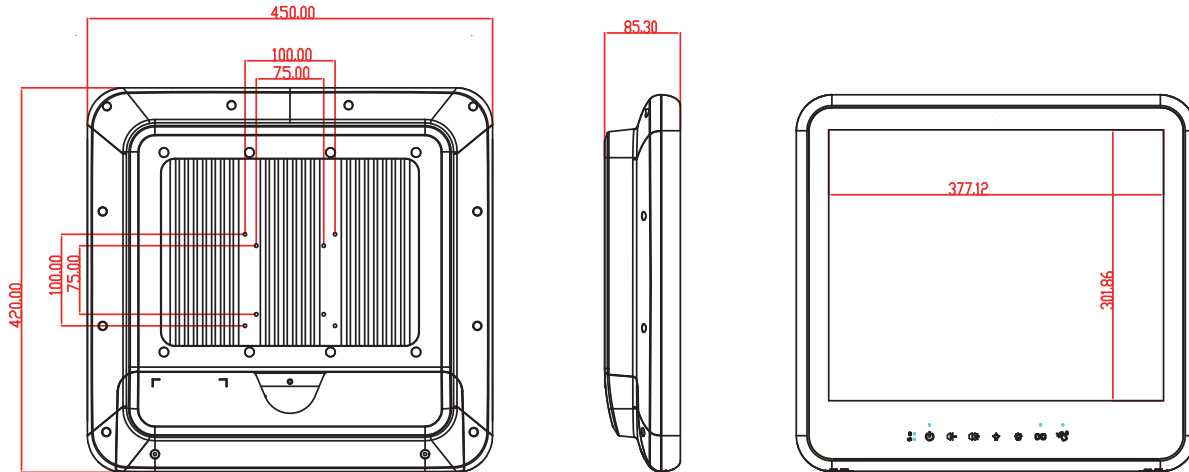
**Humidity** Operating & storage – 10%~90%, non-condensing  
**Regulatory**

- FCC-B, cUL, CE, VCCI
- Medical 60601-1 3<sup>rd</sup> edition (EN 60601-1:2006, ANSI/AAMI ES60601-1:2005, CAN/CSA C22.2 No. 60601-1:08)

# WMP-197 V

19" Core i Fanless Medical Panel PC

## Outline Dimension



## Packaging / Options / Customization

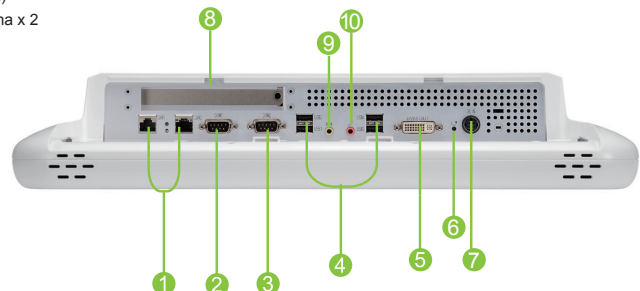
### Packaging Options

- System, power adaptor, AC power cord, CD (drivers & manual)
- WLAN – 802.11 a/b/g/n mini PCIe module w/ internal antenna x 2
- Bluetooth 2.1 (USB)
- Webcam (2M pixel, USB)
- Battery pack
- RFID reader (13.56Hz, USB)
- Expansion slot (PCI-E or PCI)
- Power adaptor w/ 2.4m or 3.6m DC cable
- Anti-bacteria desktop stand (metal, white)

### Customization

- Add extra two COM ports (or USB ports)
- LAN isolation x 1
- Add COM isolation x 2 module (use expansion slot area)
- Add USB isolation x 1
- Change touch to glass
- Microphone on I/O cover

## I/O Connectors



- 1 LAN x 2
- 2 RS232/422/485
- 3 RS232
- 4 USB x 4
- 5 DVI-I
- 6 Reset
- 7 DC-in
- 8 PCI-E/PCI expansion
- 9 Line-out
- 10 Microphone-in



## Ordering Information

- CPU: Core i5 1.7G / Core i7 1.9G / Core i3 1.8G / Celeron 1.1G
- Memory: 2G / 4G / 8G
- HDD: 160G / 500G
- Power adaptor: 1.2m / 2.4m / 3.6m DC cable
- WLAN: None / x 1
- Bluetooth: None / x 1
- Battery pack: None / x 1
- RFID reader: None / x 1
- Expansion: None / PCI-E / PCI
- Desktop stand: None / x 1
- Webcam: None / x 1



Web: [www.wincomm.com.tw](http://www.wincomm.com.tw)

Contact: [sales\\_support@wincomm.com.tw](mailto:sales_support@wincomm.com.tw)

### Wincomm Corporation

3F, NO. 14, Prosperity Road II, Science-Based Industrial Park,  
Hsinchu, Taiwan 30078, R.O.C

Tel: +886 3 578 0000 Fax: +886 3 578 0295

## Assured Systems

Assured Systems is a leading technology company with over 1,500 regular clients in 80 countries, deploying over 85,000 systems to a diverse customer base in 12 years of business. We offer high-quality and innovative rugged computing, display, networking and data collection solutions to the embedded, industrial, and digital-out-of-home market sectors.

### US

[sales@assured-systems.com](mailto:sales@assured-systems.com)

Sales: +1 347 719 4508  
Support: +1 347 719 4508

1309 Coffeen Ave  
Ste 1200  
Sheridan  
WY 82801  
USA

### EMEA

[sales@assured-systems.com](mailto:sales@assured-systems.com)

Sales: +44 (0)1785 879 050  
Support: +44 (0)1785 879 050

Unit A5 Douglas Park  
Stone Business Park  
Stone  
ST15 0YJ  
United Kingdom

VAT Number: 120 9546 28  
Business Registration Number: 07699660