

DFI[®] TPC150 15" Touch Panel PC



Features

- 3rd Generation Intel[®] Core™ processors
- 2nd Generation Intel[®] Core™ processors
- Intel[®] H61 Express chipset
- 15" 1024x768 TFT LCD Panel with Touch Screen
- IP65 front panel protection
- 1 2.5" SATA drive bay
- 2 USB 2.0 at the front panel for easy access
- 5 function keys at the front panel
- Built-in antenna for optional Wi-Fi
- VESA/ Wall/ Panel Mount

Optional
Optical Drive

Customizable
Bezel

Customizable
Touch Screen

System Specifications

PROCESSOR SYSTEM

- Processors:
 - 3rd generation Intel[®] Core™ processors
 - 2nd generation Intel[®] Core™ processors
 - Supports up to 77W TDP
- Intel H61 Express chipset

MEMORY

- Two DDR3 1333/1600MHz SODIMM sockets (3rd generation processors)
- Two DDR3 1066/1333MHz SODIMM sockets (2nd generation processors)
- Supports up to 16GB system memory

LCD and TOUCH SCREEN

- 15" 1024x768 TFT LCD panel with touch screen
- Supports 5-wire Resistive Touch or 3M Surface Capacitive Touch
- 50,000 MTBF LED backlight
- Brightness (cd/m²): 250

GRAPHICS

- Intel[®] HD Graphics
- Display ports: HDMI and DVI-I
- HDMI and DVI-I display resolution up to 1920x1200

STORAGE

- 1 2.5" SATA drive bay
- 1 optical drive bay (optional)

ETHERNET

- 1 Intel W82579LM Gigabit Ethernet Controllers
- 1 Intel W82574L Gigabit Ethernet Controllers

AUDIO

- Realtek ALC886 5.1-channel High Definition Audio
- Two 3W speakers

COM

- 1 RS232/422/485 COM port
- 1 RS232 COM port

USB

- 2 Type A USB 2.0/1.1 ports at the front panel
- 4 Type A USB 2.0/1.1 ports at the bottom

I/O

- Front
 - 2 Type A USB 2.0/1.1 ports
 - 5 function keys
 - 3 LED indicators: Power, HDD, Alarm
 - 1 built-in antenna
- Bottom
 - 1 DB-9 RS232/422/485 COM
 - 1 DB-9 RS232 COM
 - 1 PS/2 keyboard
 - 1 PS/2 mouse
 - 4 Type A USB 2.0/1.1
 - 3 audio jacks: Mic-in, Line-in, Line-out
 - 2 RJ45 LAN with LEDs
 - 1 DVI-I
 - 1 HDMI
 - 1 power switch

EXPANSION

- 1 PCIe x1
- 1 PCI
- 1 Mini PCIe x1

POWER

- Power type
 - ATX
- Power input voltage
 - AC 100-240V, 3.5A, 250W

COOLING SYSTEM

- Smart fan system control suitable for quiet environments

ENVIRONMENT

- Temperature
 - Operating: -10°C ~ 50°C
 - Storage: -20°C ~ 60°C
- Relative Humidity
 - 90% RH at 50°C, 1 week
- Corrosion
 - 4 periods of 7 days at 50°C with 90-95% relative humidity after 2 hours salt spray or waiver

VIBRATION

- Operating: 1G, 5~500Hz
- Non-operating: 1.5G, 5~25Hz
- IEC 68-2-64 compliant

SHOCK

- Operating: 3G peak acceleration (11 msec. duration)
- Non-operating: 10G peak acceleration (11 msec. duration)
- IEC 68-2-27 compliant

FRONT PANEL PROTECTION

- IP65 (Dust Tight; Water Proof protection)

CONSTRUCTION

- Aluminum front bezel (Stainless steel: option)
- Rear panel: sheet metal

MOUNTING

- VESA mount: 75x75 and 100x100
- Wall mount bracket (option)
- Panel mount: mounting clamp (option)

DI MENSIONS

- 410mm x 320mm x 106mm (W x H x D)

WEI GHT

- 9.6 kg

OS SUPPORT

- Windows XP Pro (WES2009)
- Windows Vista
- Windows 7 (WS7P)
- Windows 8 and Windows 8 Embedded Q4 2012
- Linux Ubuntu 13

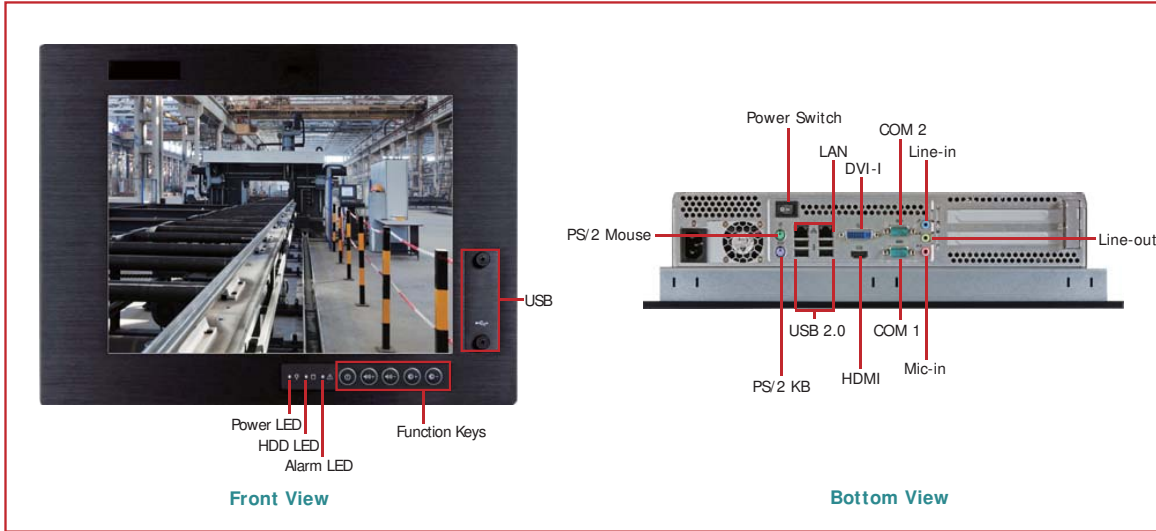
CERT I FICATION

- CE
- FCC Class A
- UL

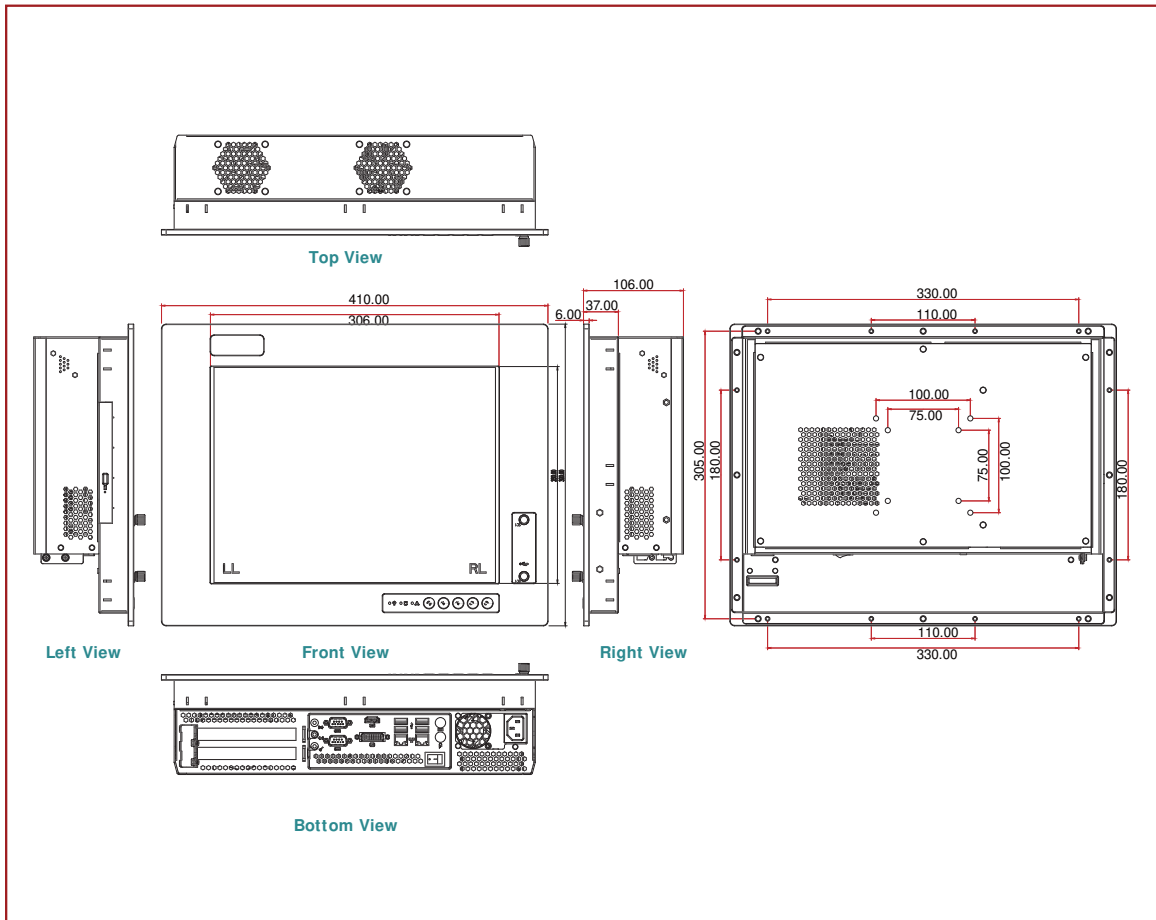
TPC150 15" Touch Panel PC



Panel



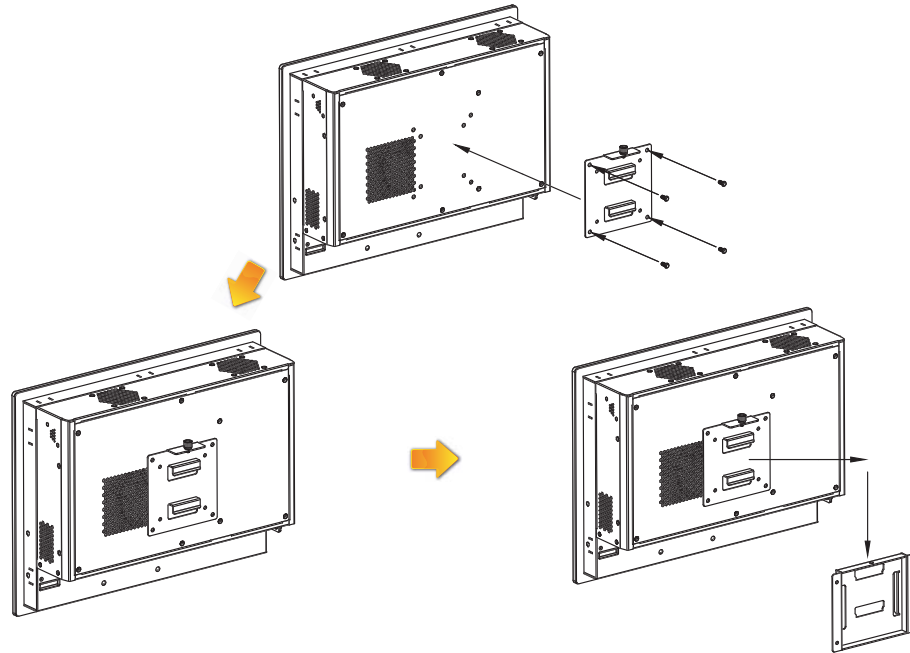
Dimensions



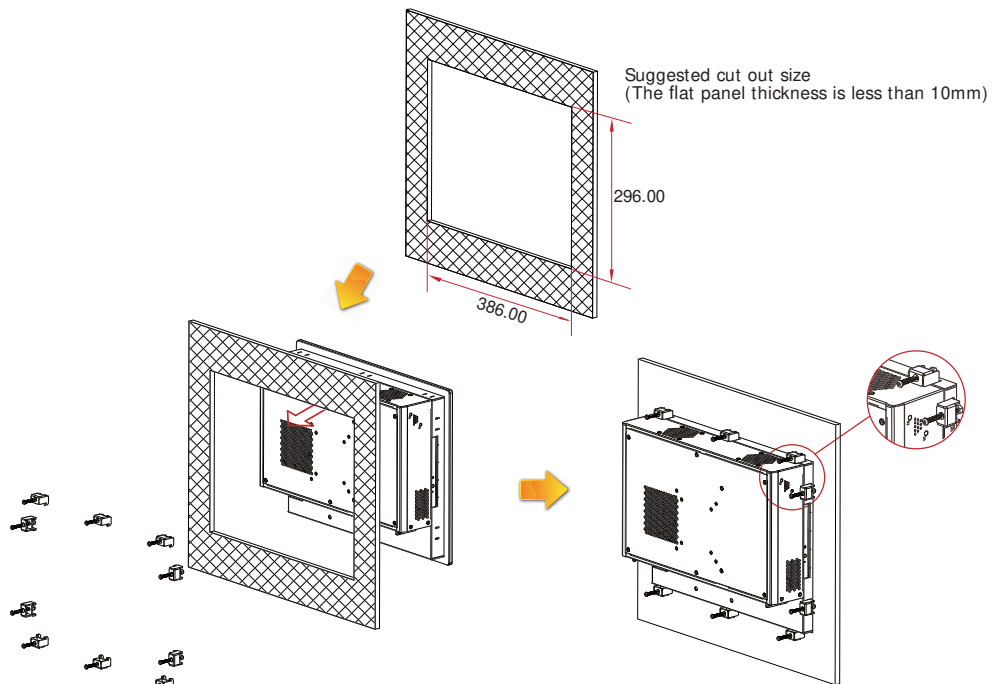
DFI[®] TPC150 15" Touch Panel PC

Mounting

Wall Mounting



Panel Mounting



TPC150 15" Touch Panel PC



Packing List

- 1 TPC150 Touch Panel PC
- 1 Quick Installation Guide
- 1 CD disk includes:
 - Drivers / Manual

Ordering Information

Model Name	Part Number	Description
TPC-1502TR-SBACR-R10	750-TPC150-000G	15" Panel PC, H61 chipset, Aluminum Front Bezel , Resistive Touch, AC input, R10
TPC-1502TS-SBACR-R10	750-TPC150-100G	15" Panel PC, H61 chipset, Aluminum Front Bezel, 3M Surface Capacitive Touch, AC input, R10
TPC-1503TR-SBACR-R10	750-TPC150-200G	15" Panel PC, H61 chipset, Stainless Front Bezel, Resistive Touch, AC input, R10
TPC-1503TS-SBACR-R10	750-TPC150-300G	15" Panel PC, H61 chipset, Stainless Front Bezel, 3M Surface Capacitive Touch, AC input, R10
TPC-1501-SBACR-R10	750-TPC150-500G	15" Panel PC, H61 chipset, Open Frame, AC input, R10

Optional Items

Optional Items	Part Number	Description
CPU	785-CP1155DL	CPU, LGA 1155, Long-term support, RoHS
Memory	785-RSOD31G	SODIMM, DDR3, 1GB, RoHS
	785-RSOD32G	SODIMM, DDR3, 2GB, RoHS
	785-RSOD34G	SODIMM, DDR3, 4GB, RoHS
HDD	785-H25250G	2.5" SATA HDD, 250GB, RoHS
	785-H25500G	2.5" SATA HDD, 500GB, RoHS
Power Cord	785-PWRD	Power cord, Standards (USA/EUR/CH), 1.8m, RoHS
Wall Mount	785-PPCWMK	Standard Panel PC Wall Mount kit
Panel Mount	785-150PMK	15" Panel PC Panel Mount kit
DVD-ROM	785-STDDRW	Slim Type SATA DVD-RW/DVD ROM
CD-RW ROM	785-STCDRW	Slim Type SATA CD-RW/DVD ROM

Assured Systems

Assured Systems is a leading technology company with over 1,500 regular clients in 80 countries, deploying over 85,000 systems to a diverse customer base in 12 years of business. We offer high-quality and innovative rugged computing, display, networking and data collection solutions to the embedded, industrial, and digital-out-of-home market sectors.

US

sales@assured-systems.com

Sales: +1 347 719 4508
Support: +1 347 719 4508

1309 Coffeen Ave
Ste 1200
Sheridan
WY 82801
USA

EMEA

sales@assured-systems.com

Sales: +44 (0)1785 879 050
Support: +44 (0)1785 879 050

Unit A5 Douglas Park
Stone Business Park
Stone
ST15 0YJ
United Kingdom

VAT Number: 120 9546 28
Business Registration Number: 07699660