

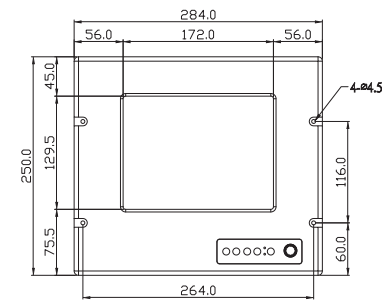


**Features:**

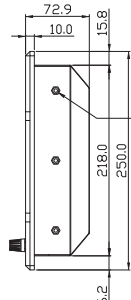
- Hyper Dimming : Dimming knob control backlight brightness from nearly 0% to 100%
- Sunlight Readable : Transflective film technology enhance visibility
- Anti-Corrosion & IP Proof : IP65 aluminum housing with powder coating design (IP54 rear)
- Wide Voltage Range Input : 9 to 36V DC to DC power input acceptable
- Touchscreen/ Protection Glass : High quality touchscreen / AR protection glass for option
- Multiscan Function : PIP(picture in picture) function and multi-video inputs
- IP65 OSD Front Panel Design : Ease of use front panel OSD control
- Anti-Shock and Vibration : Enhanced shock and vibration resistance



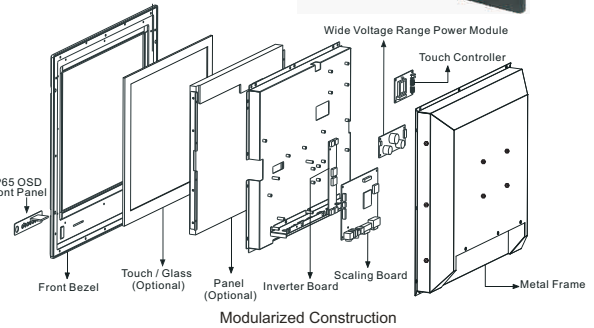
**Mechanical Design Drawing**



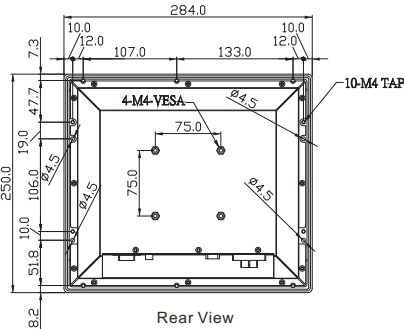
Front View



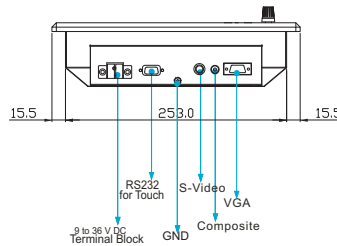
Side View



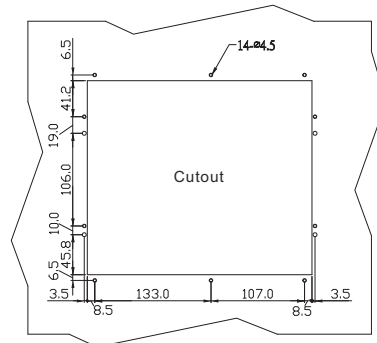
Modularized Construction



Rear View



Bottom View



All Dimensions are ±0.5 mm

\* Note: This is a simplified drawing and some components are not marked in detail. Please contact our sales representative if you need further product information.

**TFT Characteristics:**

|                     |                                |
|---------------------|--------------------------------|
| Pixel Number        | : 800 x 600                    |
| Pixel Pitch(RGB)    | : 0.213 (H) x 0.213 (V) mm     |
| Contrast Ratio      | : 600:1(typ.)                  |
| Light Intensity     | : 450 cd/m <sup>2</sup> (typ.) |
| Viewable Angles     | : -75~75(H);-75~75(V)          |
| Active Display Area | : 170.4 (H) x 127.8 (V) mm     |
| Max Colors          | : 16.2M (8bit/color)           |

**Input Signals:**

|                         |                               |
|-------------------------|-------------------------------|
| RGB Signal              | : D-SUB 15P connector(female) |
| Composite Video         | : RCA phono plug              |
| S-Video Signal          | : S-Video (SVHS) plug         |
| DC Power Signal         | : Screw terminal block        |
| Touch Screen (Optional) | : D-SUB 9P connector (female) |

**User Controls:**

- Power On/Off via front button
- VR Brightness Knob Control
- Power Mode Status LED
- On Screen Display control(OSD)
- OSD Remote Control via RS-232

**Power Specifications:**

|                      |   |
|----------------------|---|
| Power Supply Options | : 9 to 36 V DC power supply with Terminal block |
| Power Consumption    | : 13 W typical, normal operation                |

**Mechanical and Environmental:**

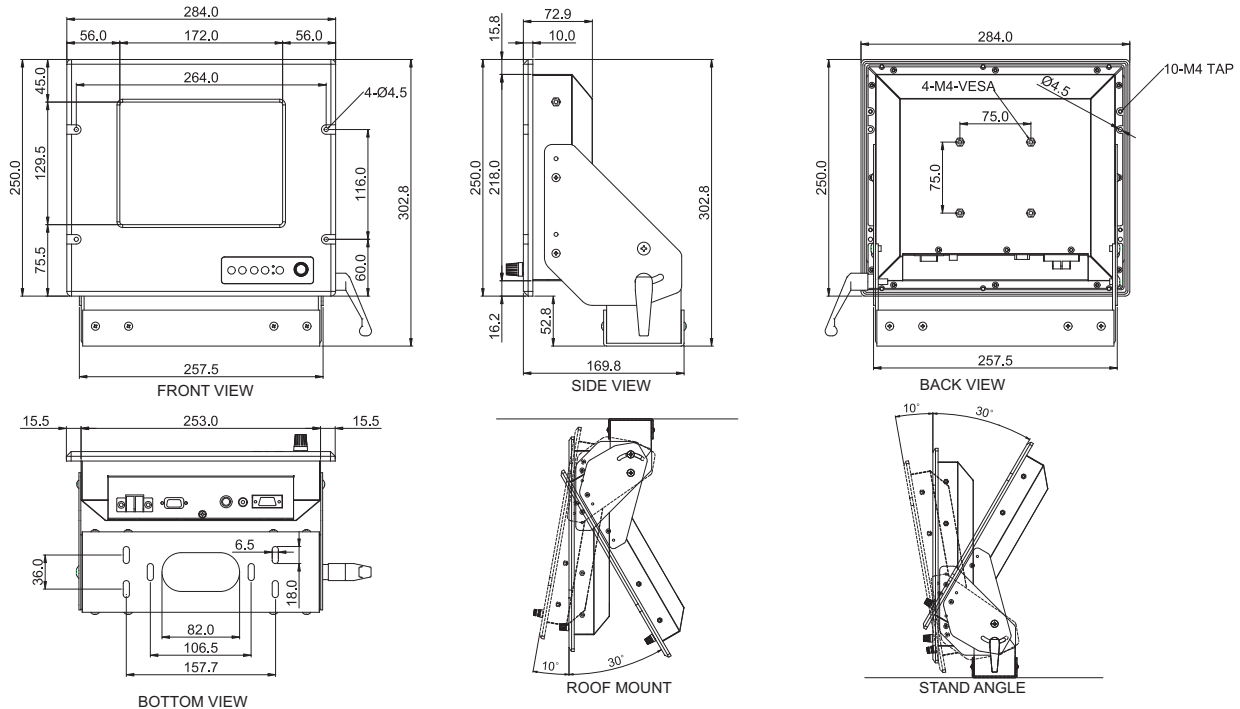
|                       |  |
|-----------------------|--|
| Mechanical Mounting   | : Panel (Flush) mount with IP65*, VESA, Bracket mounting |
| Operating Temperature | : -10 to 55 deg.C (-20 to 60 deg.C for optional heating) |
| Operating Humidity    | : 5% to 95% (non condensing)                             |
| Anti-Vibration        | : 5Hz~500Hz / 1 Grms/3 Axis                              |
| Anti-Shock            | : 15G, 11ms duration                                     |
| * SAW touch for IP54  |  |

**Available Options:**

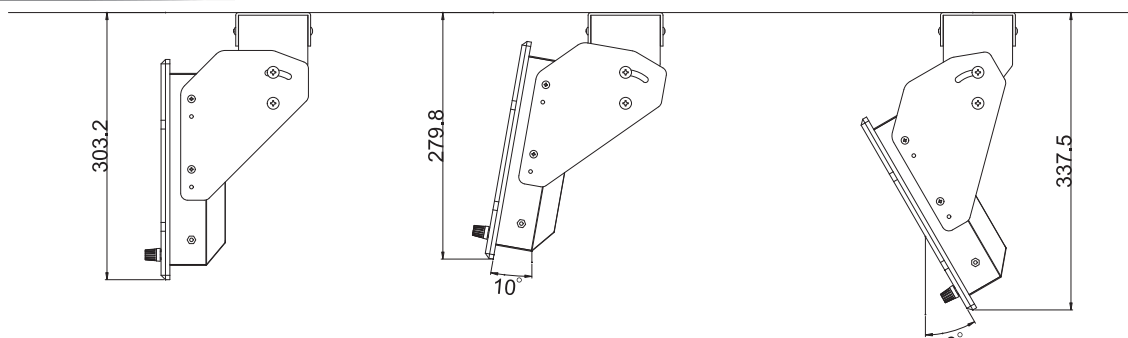
|                          |   |
|--------------------------|---|
| Touch Screen Options     | : SAW, 5 Wire Resistive                                   |
| AR Safety Glass Options  | : 3mm Anti-reflective protection glass                    |
| Transflective Options    | : Yes (Enhance Visibility)                                |
| Bracket Mounting Options | : Yes (One robust bracket can adjust from -10 to 30 deg.) |



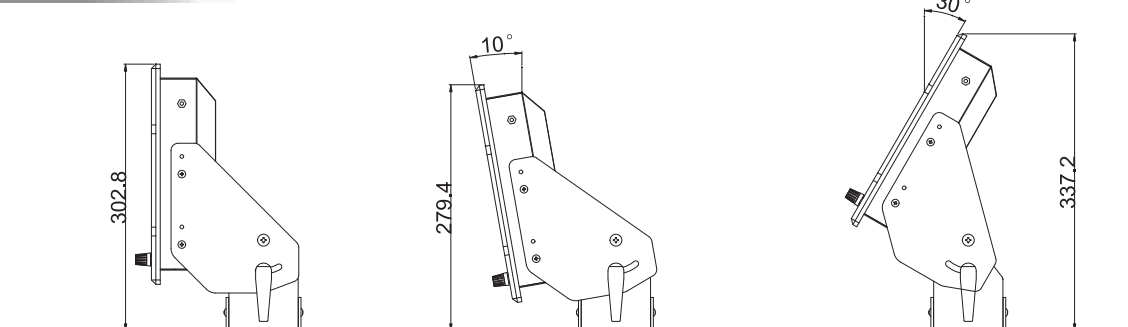
**Mechanical Design with Robust Bracket (options)**



**ROOF MOUNT**



**STAND ANGLE**



\* Note: This is a simplified drawing and some components are not marked in detail. Please contact our sales representative if you need further product information.

All Dimensions are ± 0.5 mm

| Rev. | Reasons                               | Revised Date |
|------|---------------------------------------|--------------|
| 1.0  | Add holes for brackets on back cover* | Nov-17-08    |
| 1.1  | Spec change                           | Mar-02-11    |
| 1.2  | Spec change                           | Jun-30-11    |

Certification and Approvals : CE, FCC



\* Extra charge is required for back covers with bracket holes for products purchased before end of Nov. 08'

Note: All Specifications are subject to change without prior notice!

Revised Date : 03/02/2011

## Assured Systems

Assured Systems is a leading technology company with over 1,500 regular clients in 80 countries, deploying over 85,000 systems to a diverse customer base in 12 years of business. We offer high-quality and innovative rugged computing, display, networking and data collection solutions to the embedded, industrial, and digital-out-of-home market sectors.

### US

[sales@assured-systems.com](mailto:sales@assured-systems.com)

Sales: +1 347 719 4508  
Support: +1 347 719 4508

1309 Coffeen Ave  
Ste 1200  
Sheridan  
WY 82801  
USA

### EMEA

[sales@assured-systems.com](mailto:sales@assured-systems.com)

Sales: +44 (0)1785 879 050  
Support: +44 (0)1785 879 050

Unit A5 Douglas Park  
Stone Business Park  
Stone  
ST15 0YJ  
United Kingdom

VAT Number: 120 9546 28  
Business Registration Number: 07699660