

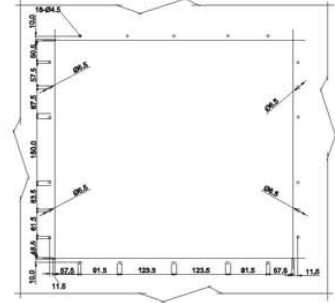
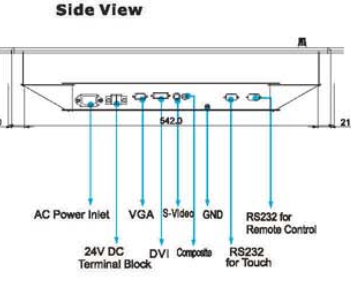
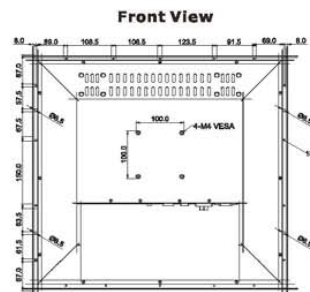
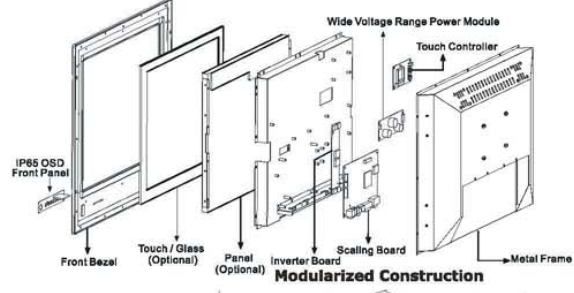
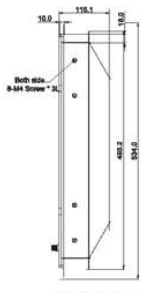
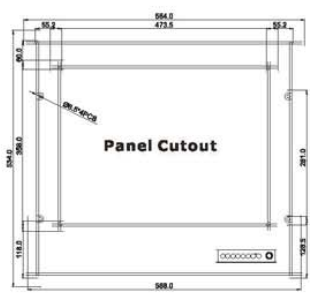


Features:

- **Hyper Dimming** : Dimming knob control backlight brightness with two stage control first from nearly 2% to 100%, second stage turn off.
- **High Quality Panel** : Sharp high resolution 1600 x 1200 panel with LED Backlight Solution
- **Anti-Corrosion & IP Proof** : IP65 aluminum housing with powder coating design (IP54 rear)
- **Wide Voltage Range Input** : Both 24V DC and AC Power Input Available (DC Isolated Power Module)
- **Touchscreen/ Protection Glass** : High quality touchscreen / AR protection glass for option
- **Multiscan Function** : PIP(picture in picture) function and multi-video inputs
- **IP65 OSD Front Panel Design** : Ease of use front panel OSD control
- **Anti-Shock and Vibration** : Enhanced shock and vibration resistance



Mechanical Design Drawings



* Note: this is a simplified drawing and some components are not marked in detail. Please contact our sales representative if you need further product information.

TFT Characteristics:

Pixel Number	: 1600 x 1200
Resolution Support	: 1600 x 1200, 1280x1024, 1024x768, 800x600, 640x480
Pixel Pitch(RGB)	: 0.294 (H) x 0.294 (V) mm
Contrast Ratio	: 600:1(typ.)
Light Intensity	: 500 cd/m ² (typ.)
Viewable Angles	: -85~85(H); -85~85(V)
Active Display Area	: 470.4(H) x 352.8(V) mm
Max Colors	: 16.7M (8bit/colors)

Input Signals:

RGB Signal	: D-SUB 15P connector(female)
Composite Video	: RCA phono plug
S-Video Signal	: S-Video (SVHS) plug
DVI-D Signal	: DVI-D input 24pin connector
DC Power Signal	: Screw terminal block
AC Power Signal	: Std IEC Inlet
Touch Screen (Optional)	: D-SUB 9P connector (female)
Remote via RS-232 (Optional)	: D-SUB 9P connector (female)

User Controls:

Power On/Off via front button
VR Brightness Knob Control
Power Mode Status LED
On Screen Display control(OSD)
OSD Remote Control via RS-232

Power Specifications:

Power Supply default	: ① 24 V DC power supply with Terminal block (Isolation Resistance)
	: ② 90 to 265V AC power supply
Power Consumption	: 80 W typical, normal operation

Mechanical and Environmental:

Mechanical Mounting	: Panel (Flush) mount with IP65*, VESA, Bracket mounting
Operating Temperature	: -10 to 55 deg.C
Operating Humidity	: 5% to 95% (non condensing)
Anti-Vibration	: 5Hz~500Hz / 1Grms/3 Axis
Anti-Shock	: 15G, 11ms duration
* SAW touch for IP54	

Available Options:

Touch Screen Options	: SAW, 5 Wire Resistive
AR Safety Glass Options	: 3mm Anti-reflective protection glass
Bracket Mounting Options	: Yes (One robust bracket can adjust from -10 to 30 deg.)

Certification and Approvals : IEC 60945, DVN 2.4, IACS-E10
DNV Type Approval, CE, FCC



Note: All Specifications are subject to change without prior notice!

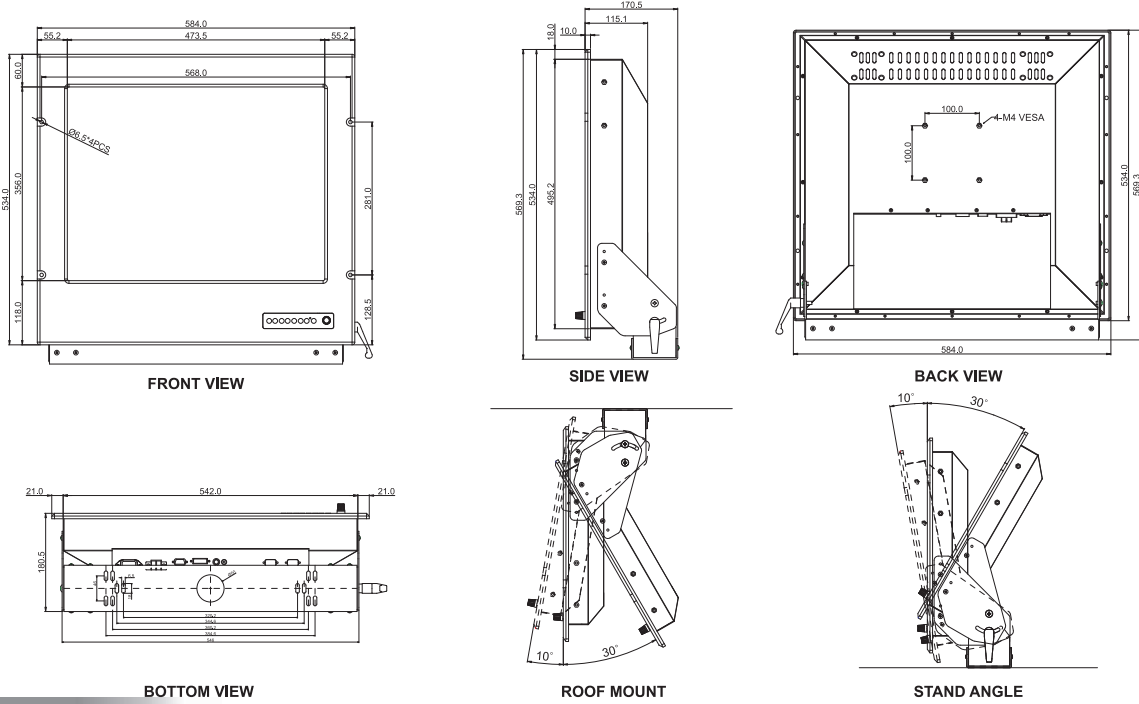
Revised Date :10/11/2010



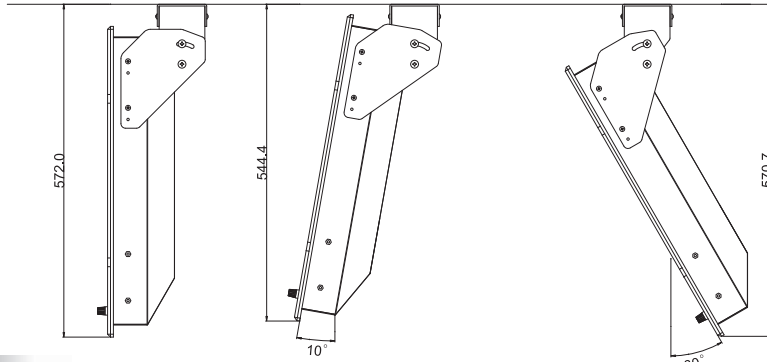
23.1" Marine Bridge System Display

Model # R23L100-MRS1

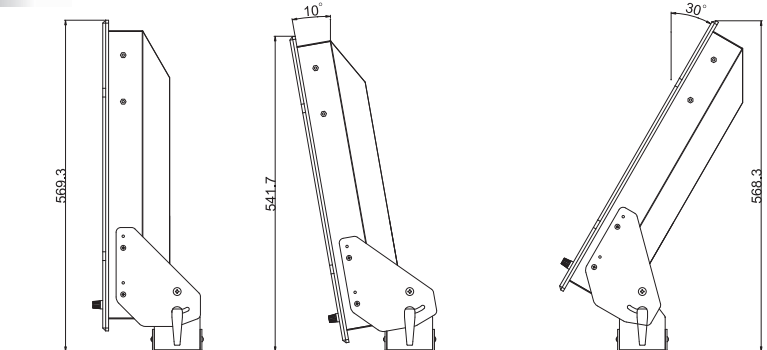
Mechanical Design with Robust Bracket (options)



ROOF MOUNT



STAND ANGLE



All Dimensions are ±0.5 mm

* Note: this is a simplified drawing and some components are not marked in detail. Please contact our sales representative if you need further product information.

Certification and Approvals : IEC 60945, DVN 2.4, IACS-E10
DNV Type Approval, CE, FCC



Rev.	Reasons	Revised Date
1.0	Add holes for brackets on back cover*	Nov-17-08
1.1	Spec change	Nov-12-09
1.2	Spec change	Oct-11-10

* Extra charge is required for back covers with bracket holes for products purchased before end of Nov. 08'

Note: All Specifications are subject to change without prior notice!

Revised Date : 10/11/2010

Assured Systems

Assured Systems is a leading technology company with over 1,500 regular clients in 80 countries, deploying over 85,000 systems to a diverse customer base in 12 years of business. We offer high-quality and innovative rugged computing, display, networking and data collection solutions to the embedded, industrial, and digital-out-of-home market sectors.

US

sales@assured-systems.com

Sales: +1 347 719 4508
Support: +1 347 719 4508

1309 Coffeen Ave
Ste 1200
Sheridan
WY 82801
USA

EMEA

sales@assured-systems.com

Sales: +44 (0)1785 879 050
Support: +44 (0)1785 879 050

Unit A5 Douglas Park
Stone Business Park
Stone
ST15 0YJ
United Kingdom

VAT Number: 120 9546 28
Business Registration Number: 07699660