



Industrial Solutions Partner!

**SSD3700-Y V1**

**37" TFT LCD, 2500 nits LED Backlight , 1920x540 ultra-wide aspect ratio 16:4.5**

The SSD3700-Y is a 37 inch color TFT-LCD display with special aspect ratio 16:4.5 and wide resolution 1920 x 540. It is Litemax's Spanpixel series product which designed for high brightness 2500 nits with power efficiency LED backlight. It provides LCD panel with specific aspect ratios and sunlight readable for digital signage, public transportation, exhibition hall, department store, and vending machine.

**Key Features**

- 37" Stretched LCD
- Ultra-Wide Screen (16 : 4.5)
- High Brightness 2500 nits
- LED Backlight
- LCD blacking defect free (Hi-Tni 110 °C)
- Low Power Consumption
- BL MTBF: 70,000 hours



**Specifications**

Model Name	SSD3700-Y V1
Description	37" TFT LCD, 2500 nits LED backlight,1920x540
Screen Size	37"
Display Area (mm)	904.32(H) x 254.34(V)
Brightness	2500 cd/m <sup>2</sup>
Resolution	1920x540
Aspect Ratio	16 : 4.5
Contrast Ratio	7900 : 1
Pixel Pitch (mm)	0.47(H) x 0.47(V)
Pixel Pre Inch (PPI)	54
Viewing Angle	178°(H),178°(V)
Color Saturation (NTSC)	64%
Display Colors	1073.7M
Response Time (Typical)	8ms
Panel Interface	LVDS
AD Board Input Interface	DVI-I,HDMI,DP
AD Board Input Power	DC 24V
Power Consumption	89W
OSD Key	4 Keys (Power Switch, Menu, +, -)
OSD Control	Brightness, Color, Contrast, Auto Turing, H/V Position...etc
Dimensions (mm)	926.8(H) x 280.1(V) x 73.1 (T)
Bezel Size(U/B/L/R)	11.3/11.3/9.7/9.7 mm
Mounting	400x100
Weight (Net)	8.57kg
Operating Temperature	0 °C ~ 50 °C
Storage Temperature	-20 °C ~ 60 °C

**SSD= Panel + LED Driving Board + AD Control Board + Housing**

Specifications are subject to change without notice.  
All brands or product names are trademarks or registered trademarks of their respective companies.

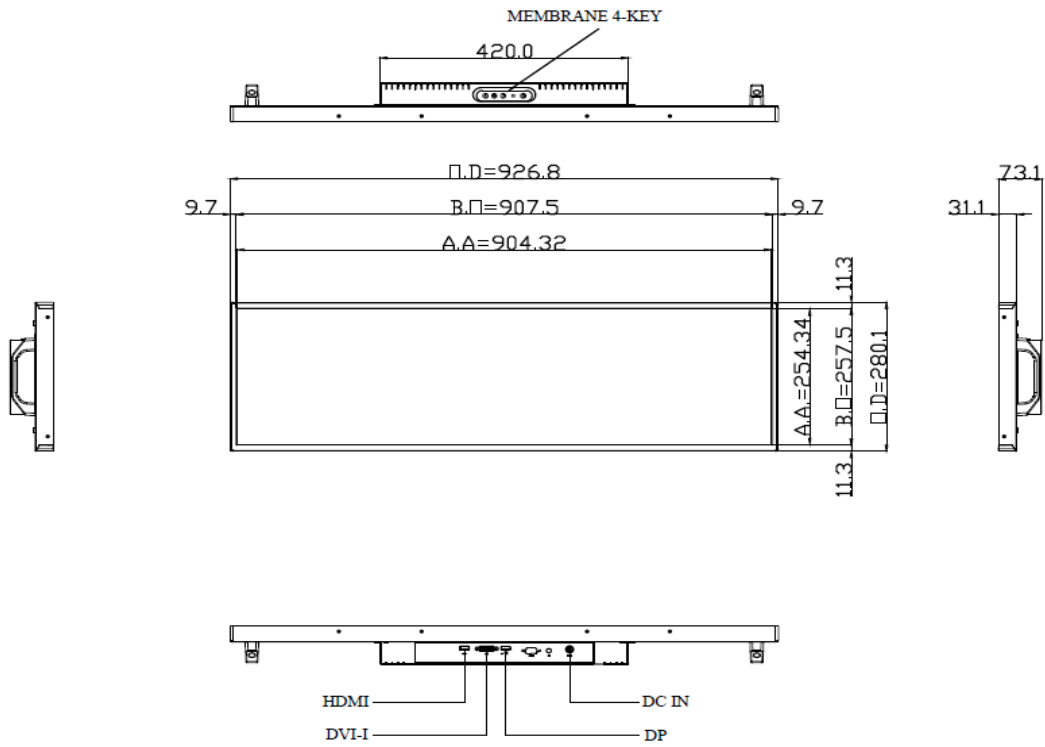
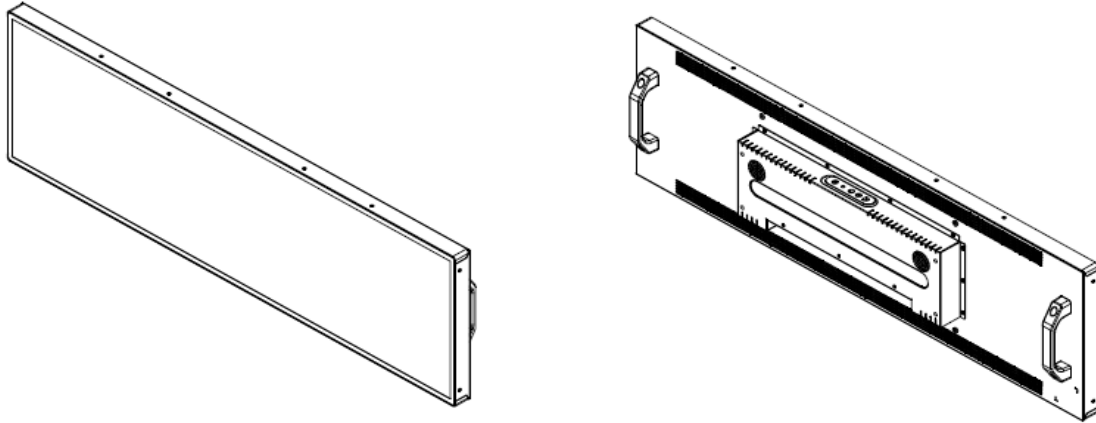


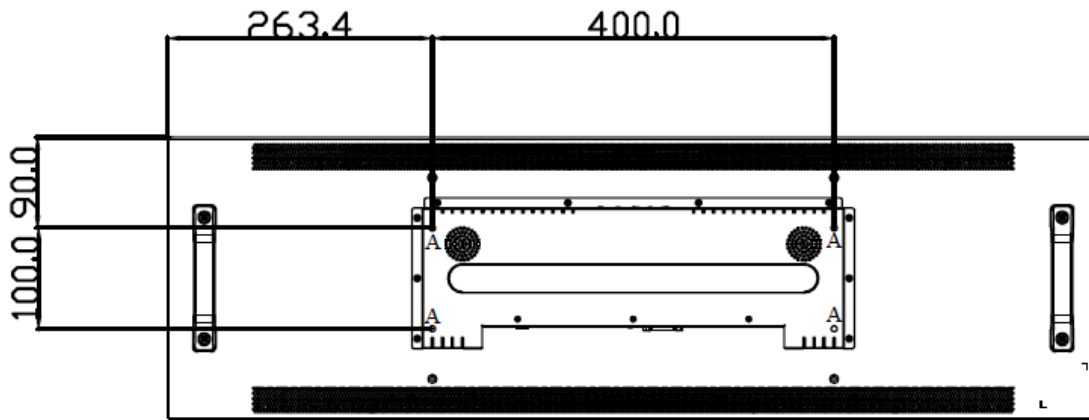
Industrial Solutions Partner!

**Mechanical Drawing**

Outline Dimensions

Unit:mm





- Note :
- O.D : Outline Dimension(mm)
  - B.O : Bezel Opening
  - A.A : LCD Active Area
  - A:4-M6\_USER HOLE\_MAX DEPTH=6mm



Industrial Solutions Partner!

### Ordering Information

Part Number	Description
SSD3700-YNB-Q01	37",2500nits,1920x540,HTni,LID on LCM,AD8891DHP,O/B,DC24V,3in1,V1

### Optional Accessories

Part Number	Description
840613111200	ADAPTER,AC/DC,24V/5A,120W,FSP120,Power-Din,P
810618301010	CABLE,POWER,AC,1830mm USA type
810618301090	CABLE,POWER,AC,1830mm Europe type
810618301050	CABLE,POWER,AC,1830mm UK type
810618301170	CABLE,POWER,AC,1830mm Australia type
810618301031	CABLE,POWER,AC,1830mm Japan type

### Customer request

Touch	SCT (Single-Touch), PCT (Multi-Touch)
Glass	Tempered glass, AR coating.....

## Assured Systems

Assured Systems is a leading technology company with over 1,500 regular clients in 80 countries, deploying over 85,000 systems to a diverse customer base in 12 years of business. We offer high-quality and innovative rugged computing, display, networking and data collection solutions to the embedded, industrial, and digital-out-of-home market sectors.

### US

[sales@assured-systems.com](mailto:sales@assured-systems.com)

Sales: +1 347 719 4508  
Support: +1 347 719 4508

1309 Coffeen Ave  
Ste 1200  
Sheridan  
WY 82801  
USA

### EMEA

[sales@assured-systems.com](mailto:sales@assured-systems.com)

Sales: +44 (0)1785 879 050  
Support: +44 (0)1785 879 050

Unit A5 Douglas Park  
Stone Business Park  
Stone  
ST15 0YJ  
United Kingdom

VAT Number: 120 9546 28  
Business Registration Number: 07699660