

# Military Grade Rack Mount LCD

## Rack Mount LED Monitor



**32"**

### Specifications



Model Name	W32L100-RKA3ML-EXT
Backlight	LED
Viewable Size Image	32"
Active Display Area(mm)	698.4(H)x 392.85 (V)
Pixel Pitch(mm)	0.3637(H)x 0.3637(V)
Number of Pixels	1920 x 1080
Contrast Ratio	3000:1(typ.)
Response Time	5 ms
Refresh Rate	min. 100Hz
Display Color	16.7M
Brightness	400 nit
Viewing Angle(CR>=10)	-89~89(H);-89~89(V)
Synchronization Range	31.5~80.0KHz/60~75Hz
Horizontal/Vertical	
Recommended Resolution	1920 x1080 @60Hz
Signal Input	1 x D-Sub15 (VGA) 1 x DVI-D 1 x HDMI
Power Source	AC 100~240V, Universal, ±10% DC 24V, ±10% (Optional)
Power Consumption	53W typical, normal operation
Power Management	VESA DPMS Compliant
Plug & Play	VESA DDC 1/2B
Protection Glass	AR Glass

- Anti-Corrosion Housing / Fanless
- Compliant with MIL-STD-810G/F
- Convenient On-Screen Display Controls
- 220V ±10%, 50 ± 3% Hz
- Built-in Light Sensor for auto brightness control
- Military Grade Power Connector (MIL-DTL-38999/1)
- Standard AR Glass

### Environmental(MIL-STD 810F/G Compliance)

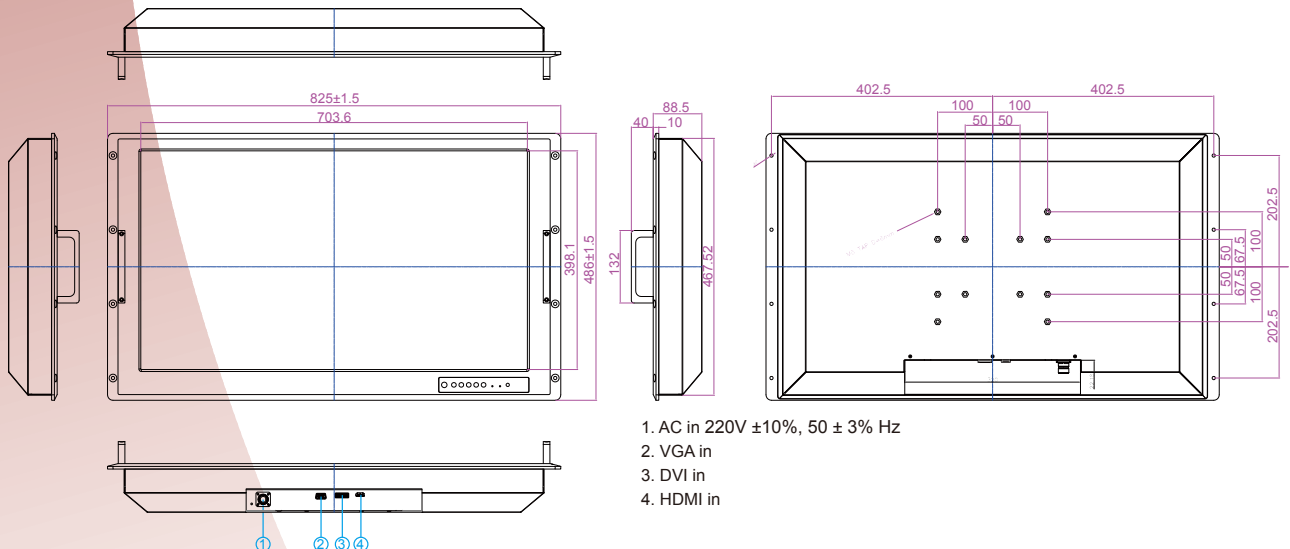
Vibration	MIL-STD-810F/G Method 514.5
Humidity	MIL-STD-810F/G Method 507.4
Operating Temperature	0°C~50°C Wide temperature solution by request
Storage Temperature	-10°C~60°C
Operating Humidity	95%RH ±3%
IP Rating	Front IP65, Back IP54

### Environmental(MIL-461E/F Compliance)

RE	RE 101 / RE102
CE	CE 101 / CE102

\* If you require external test report, Winmate will charge NRE fee.

### Mechanical Drawing



\* Note: this is a simplified drawing and some components are not marked in detail. Please contact our sales representative if you need further product information.

## Assured Systems

Assured Systems is a leading technology company with over 1,500 regular clients in 80 countries, deploying over 85,000 systems to a diverse customer base in 12 years of business. We offer high-quality and innovative rugged computing, display, networking and data collection solutions to the embedded, industrial, and digital-out-of-home market sectors.

### US

[sales@assured-systems.com](mailto:sales@assured-systems.com)

Sales: +1 347 719 4508  
Support: +1 347 719 4508

1309 Coffeen Ave  
Ste 1200  
Sheridan  
WY 82801  
USA

### EMEA

[sales@assured-systems.com](mailto:sales@assured-systems.com)

Sales: +44 (0)1785 879 050  
Support: +44 (0)1785 879 050

Unit A5 Douglas Park  
Stone Business Park  
Stone  
ST15 0YJ  
United Kingdom

VAT Number: 120 9546 28  
Business Registration Number: 07699660