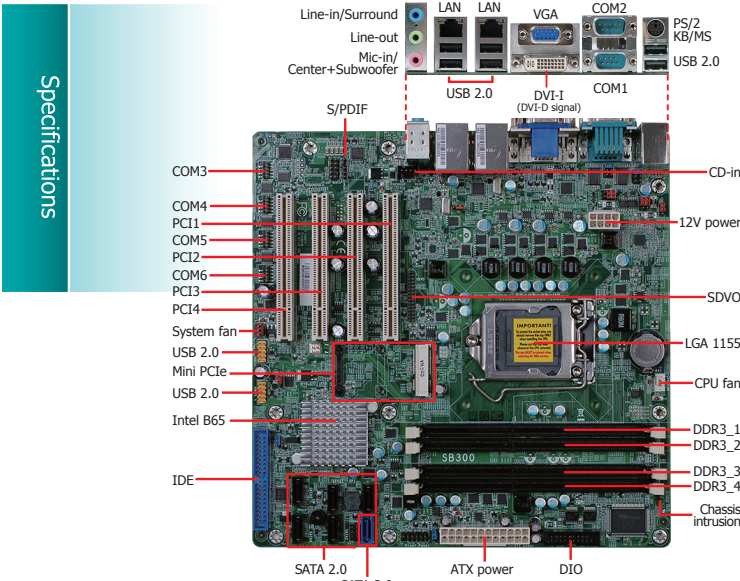
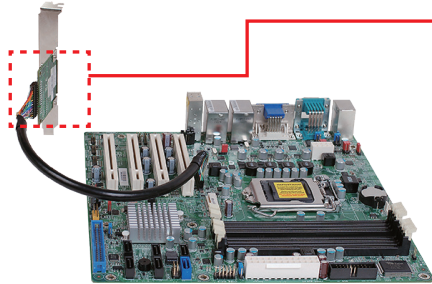


# DFI SB300-C microATX



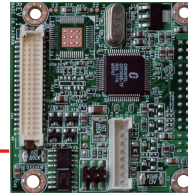
**SB300-C+  
SDVO-LVDS**



## Features

|                 |   |
|-----------------|---|
| CHIPSET         | <b>Intel® B65 PCH</b>   |
| CPU             | <b>Intel® Core™ i7/i5/i3<br/>Intel® Pentium®</b>              |
| MEMORY          | <b>4 DDR3 DIMM up to 32GB</b>                                 |
| EXPANSION       | <b>1 Mini PCIe x1, 4 PCI</b>                                  |
| DISPLAY OUTPUTS | <b>1 DVI-I (DVI-D signal), 1 VGA</b>                          |
| LAN             | <b>2 Gigabit LAN ports</b>                                    |
| COM             | <b>6 COM</b>  |
| USB             | <b>10 USB 2.0</b>   |
| STORAGE         | <b>6 SATA: 1 SATA 3.0, 5 SATA 2.0<br/>1 IDE<br/>8-bit DIO</b> |

### SDVO-LVDS Daughterboard (optional)



**Top**



**Bottom**

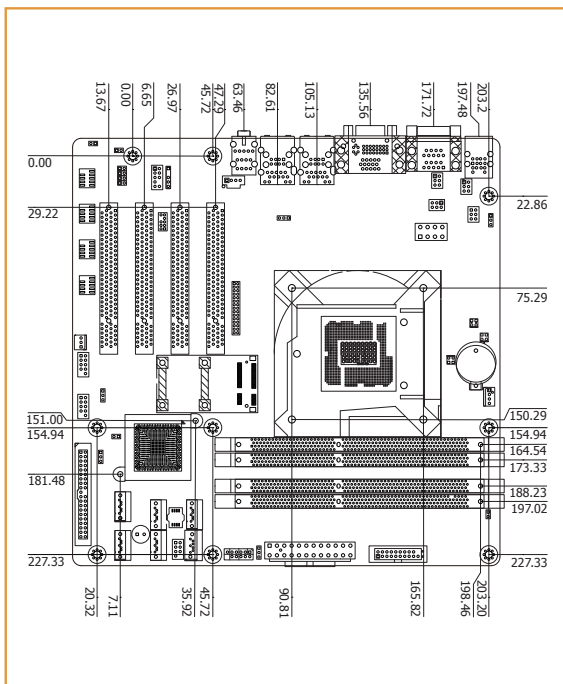
### I/O PORTS

- Chronitel CH7308B
- Supports 18/24-bit 1600x1200 LVDS panel
- 1 LVDS LCD panel connector
- 1 LCD/Inverter power connector
- SDVO interface
- Supports dimming control via hot keys

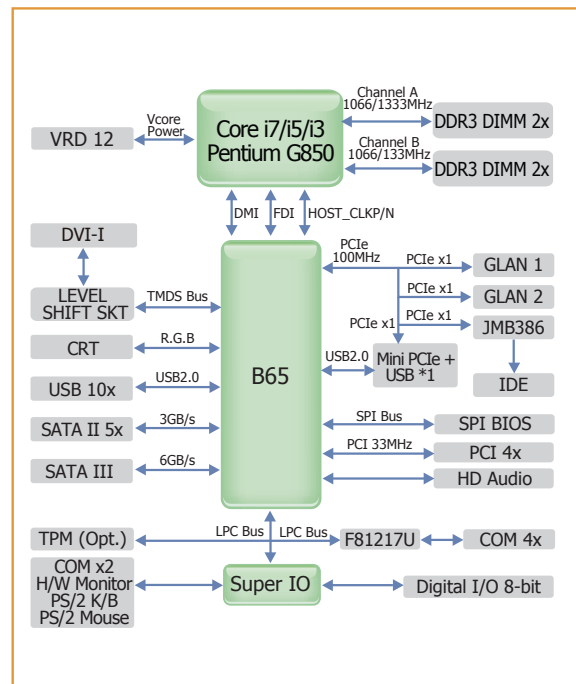
### DIMENSIONS

- 45mm (1.77") x 38mm (1.49")

## Mechanical Drawing



## Block Diagram



# SB300-C microATX **DFI**

Industrial Motherboards  
microATX

## Specifications

### PROCESSOR

- LGA 1155 socket for:
  - Intel® Core™ i7-2600 (8M Cache, up to 3.8 GHz); 95W
  - Intel® Core™ i5-2400 (6M Cache, up to 3.4 GHz); 95W
  - Intel® Core™ i3-2120 (3M Cache, 3.3 GHz); 65W
  - Intel® Pentium® G850 (3M Cache, 2.9 GHz); 65W
- New microarchitecture on 32nm process technology
- Intel® Advanced Vector Extensions (Intel® AVX) Instructions
- Intel® Turbo Boost Technology

### CHIPSET

- Intel® B65 PCH (Platform Controller Hub)

### SYSTEM MEMORY

- Four 240-pin DDR3 DIMM sockets
- Supports DDR3 1066/1333MHz
- Supports dual channel memory interface
- Supports up to 32GB system memory
- DRAM device technologies: 1Gb, 2Gb and 4Gb DDR3 DRAM technologies are supported for x8 and x16 devices, unbuffered, non-ECC

### EXPANSION SLOTS

- 1 Mini PCIe x1 slot (PCIe 2.0)
- 4 PCI slots (PCI 2.3)

### ONBOARD GRAPHICS FEATURES

- Intel® HD Graphics
- Display ports: DVI-I (DVI-D signal) and VGA
- DVI-I supports up to 1920x1200 @ 60Hz resolution
- VGA supports up to 2048x1536 @ 75Hz resolution
- Supports 6 Graphics Execution Units (EUs)
- Intel® Clear Video Technology
- DirectX Video Acceleration (DXVA) support for accelerating video processing

### ONBOARD AUDIO FEATURES

- Realtek ALC886 5.1-channel High Definition Audio
- Audio outputs: Mic-in/Center+Subwoofer, line-in/surround and line out
- S/PDIF audio interface

### ONBOARD LAN FEATURES

- 2 Realtek RTL8111DL PCI Express Gigabit Ethernet controllers
- Integrated 10/100/1000 transceiver
- Fully compliant with IEEE 802.3, IEEE 802.3u, IEEE 802.3ab

### SERIAL ATA (SATA) INTERFACE

- 6 Serial ATA ports
  - 5 SATA 2.0 ports with data transfer rate up to 3Gb/s
  - 1 SATA 3.0 port with data transfer rate up to 6Gb/s
- Integrated Advanced Host Controller Interface (AHCI) controller

### TRUSTED PLATFORM MODULE (TPM) - optional

- Provides a Trusted PC for secure transactions
- Provides software license protection, enforcement and password protection

### REAR PANEL I/O PORTS

- 1 mini-DIN-6 port for PS/2 mouse/keyboard
- 2 DB-9 serial ports
  - Supports RS232/422/485 (RS232 and/or Power)
- 1 DB-15 VGA port
- 1 DVI-I port (DVI-D signal)
- 2 RJ45 LAN ports
- 6 USB 2.0/1.1 ports
- Line-in/Surround, Line out, Mic-in/Center+Subwoofer jacks

### I/O CONNECTORS

- 2 connectors for 4 external USB 2.0/1.1 ports
- 4 connectors for 4 external RS232 serial ports
- 1 SDVO connector for the optional SDVO-LVDS daughterboard
- 1 8-bit Digital I/O connector
- 1 front audio connector for line-out and mic-in jacks
- 1 CD-in connector
- 1 S/PDIF connector
- 6 Serial ATA ports
- 1 IDE connector
- 1 24-pin ATX power connector
- 1 8-pin 12V power connector
- 1 chassis intrusion connector
- 1 front panel connector
- 2 fan connectors

### BIOS

- AMI BIOS
  - 64Mbit SPI BIOS

### ENERGY EFFICIENT DESIGN

- Supports ErP Lot6 power saving (optional)
- Supports ACPI
- System Power Management
- Wake-On-Events include:
  - Wake-On-PS/2 KB/Mouse
  - Wake-On-USB KB/Mouse
  - Wake-On-LAN
  - RTC timer to power-on the system
- CPU stopped clock control
- AC power failure recovery

### DAMAGE FREE INTELLIGENCE

- Monitors CPU/system temperature and overheat alarm
- Monitors V<sub>CORE</sub>/5V/3.3V/V<sub>DIMM</sub>/12V/5VSB voltages and failure alarm
- Monitors CPU/system fan speed and failure alarm
- Read back capability that displays temperature, voltage and fan speed
- Watchdog timer function

### TEMPERATURE

- Operating: 0°C to 60°C
- Storage: -20°C to 85°C

### HUMIDITY

- 10% to 90%

### DIMENSIONS

- microATX form factor
- 244mm (9.6") x 244mm (9.6")

## Packing List

- 1 SB300-C motherboard
- 2 Serial ATA data cables
- 1 IDE cable
- 2 USB port cables (with bracket)
- 2 COM port cables (with bracket)
- 1 I/O shield
- 1 DVD
- 1 QR (Quick Reference)

## Optional Items

- SDVO-LVDS daughterboard (with bracket)
- USB port cable
- COM port cable
- Serial ATA data cable
- Serial ATA power cable
- PS/2 Keyboard/Mouse cable
- IDE cable
- I/O shield

DFI reserves the right to change the specifications at any time prior to the product's release. Changes thereafter will be based on the product's revision. Please contact your sales representative for the exact revision offered in your area. All product names mentioned are trademarks of their respective companies. © April 23, 2012 DFI Inc.

## Assured Systems

Assured Systems is a leading technology company with over 1,500 regular clients in 80 countries, deploying over 85,000 systems to a diverse customer base in 12 years of business. We offer high-quality and innovative rugged computing, display, networking and data collection solutions to the embedded, industrial, and digital-out-of-home market sectors.

### US

[sales@assured-systems.com](mailto:sales@assured-systems.com)

Sales: +1 347 719 4508  
Support: +1 347 719 4508

1309 Coffeen Ave  
Ste 1200  
Sheridan  
WY 82801  
USA

### EMEA

[sales@assured-systems.com](mailto:sales@assured-systems.com)

Sales: +44 (0)1785 879 050  
Support: +44 (0)1785 879 050

Unit A5 Douglas Park  
Stone Business Park  
Stone  
ST15 0YJ  
United Kingdom

VAT Number: 120 9546 28  
Business Registration Number: 07699660