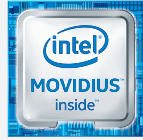


# AIEdge-X<sup>®</sup> 100-VPU

Compact AI at the Edge system  
Powered by Intel<sup>®</sup> Movidius<sup>™</sup> Myriad<sup>™</sup> X VPU



## Main Features

- Intel<sup>®</sup> Celeron<sup>®</sup> J3455 processor
- 3.5" slim and fanless design
- Equipped with Intel<sup>®</sup> Movidius<sup>™</sup> Myriad<sup>™</sup> X AIBooster<sup>®</sup>
- Support 2 x HDMI 2.0 output

## Product Overview

Powered by Intel<sup>®</sup> Celeron<sup>®</sup> processor, the AIEdge-X<sup>®</sup>100-VPU fanless embedded player equipped with Intel<sup>®</sup> Movidius<sup>™</sup> Myriad<sup>™</sup> X AIBooster<sup>®</sup> can support Edge AI applications like facial/object detection, the AIEdge-X<sup>®</sup>100-VPU can also handle 2 independence display output. The AIEdge-X<sup>®</sup>100-VPU supports HDMI display, USB 3.0 ports, and a RS232/RS422/RS485 interface, is an ideal embedded player to optimize information visualization, convey brand messages, customer engagement, and smart retail management efficiencies to increase in-store traffic and sales. Also could be applicable as gateway for smart city.

The slim fanless design with extended durability further covers usages like endless aisles, QSRs, drive-thru kiosks, bus stops, digital transit information, NEXCOM AIEdge-X<sup>®</sup>100-VPU is designed to acquire data from device in the field side, and analyze and respond in a timely matter while all on the "Edge".

## Specifications

### CPU Support

- Intel<sup>®</sup> Celeron<sup>®</sup> J3455 processor 1.5GHz,10W (Formally Apollo Lake)

### Graphics

- Intel<sup>®</sup> HD Graphics 500

### Main Memory

- 1 x 204-pin SO-DIMM socket, support up to DDR3L 1866MHz, non-ECC, un-buffered memory up to 8GB

### I/O Interface-Front

- 2 x RJ45 with LEDs for Gigabit LAN
- 2 x HDMI 2.0, resolution 4096 x 2160 60Hz
- 1 x COM port (RS232/RS422/RS485)
- 1 x DC-in Jack with lock
- 2 x USB 3.0

### I/O Interface-Rear

- 2 x Antenna hole
- 1 x Power button with LED
- 1 x Storage active LED

### Internal I/O

- 1 x COM port connector (RS232)
- 1 x Power connector
- 1 x TPM module connector
- 1 x Line out audio connector

### Expansion

- Intel<sup>®</sup> Movidius<sup>™</sup> Myriad<sup>™</sup> X (x 1 P/N: 20V000VPU00X0)
- Intel<sup>®</sup> Movidius<sup>™</sup> Myriad<sup>™</sup> X (x 2 P/N: 20V000VPU01X0)

### Storage

- 1 x M.2 M Key 2242 SSD

### Power Supply

- 1 x External 45W AC/DC power adapter with lock
- Input: 100VAC to 240VAC
- Output: DC+19VDC

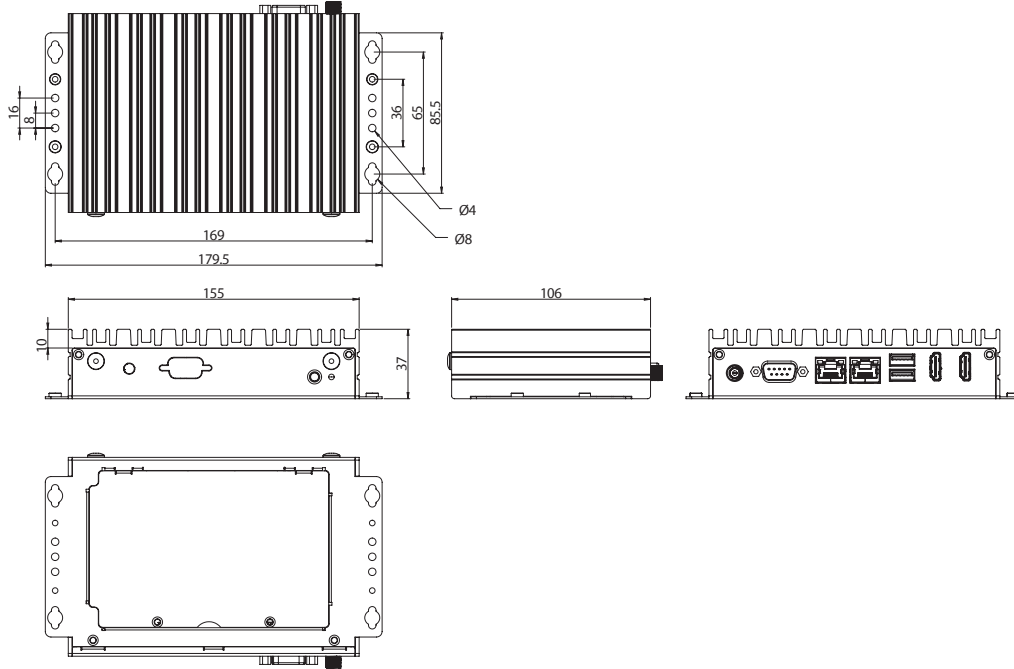
### Environment

- Operating temperature: -5°C to 35°C
- Storage temperature: -20°C to 80°C
- Humidity: 95% (non-condensing)

www.nexcom.com



## System Architecture



### Certification

- CE (EMC EN55032 + EN55035)
- FCC Class A (EMI part 15B)

### Dimensions

- 155mm (W) x 106mm (D) x 37mm (H)

### Operating System Support

- Win10 64-bit
- Linu x 4.1

## Ordering Information

### Barebone

- **AIEdge-X®100-VPU (P/N: TBC)**  
Intel® Celeron® J3455 processor slim and fanless system with Intel® Movidius™ Myriad™ X AIBooster® x 1
- **AIEdge-X®100-VPU (P/N: TBC)**  
Intel® Celeron® J3455 processor slim and fanless system with Intel® Movidius™ Myriad™ X AIBooster® x 2

## Assured Systems

Assured Systems is a leading technology company with over 1,500 regular clients in 80 countries, deploying over 85,000 systems to a diverse customer base in 12 years of business. We offer high-quality and innovative rugged computing, display, networking and data collection solutions to the embedded, industrial, and digital-out-of-home market sectors.

### US

[sales@assured-systems.com](mailto:sales@assured-systems.com)

Sales: +1 347 719 4508  
Support: +1 347 719 4508

1309 Coffeen Ave  
Ste 1200  
Sheridan  
WY 82801  
USA

### EMEA

[sales@assured-systems.com](mailto:sales@assured-systems.com)

Sales: +44 (0)1785 879 050  
Support: +44 (0)1785 879 050

Unit A5 Douglas Park  
Stone Business Park  
Stone  
ST15 0YJ  
United Kingdom

VAT Number: 120 9546 28  
Business Registration Number: 07699660