



6th Gen Intel® Core™ Processor  
Medical Computing System



# MD711-SU

**ULT**

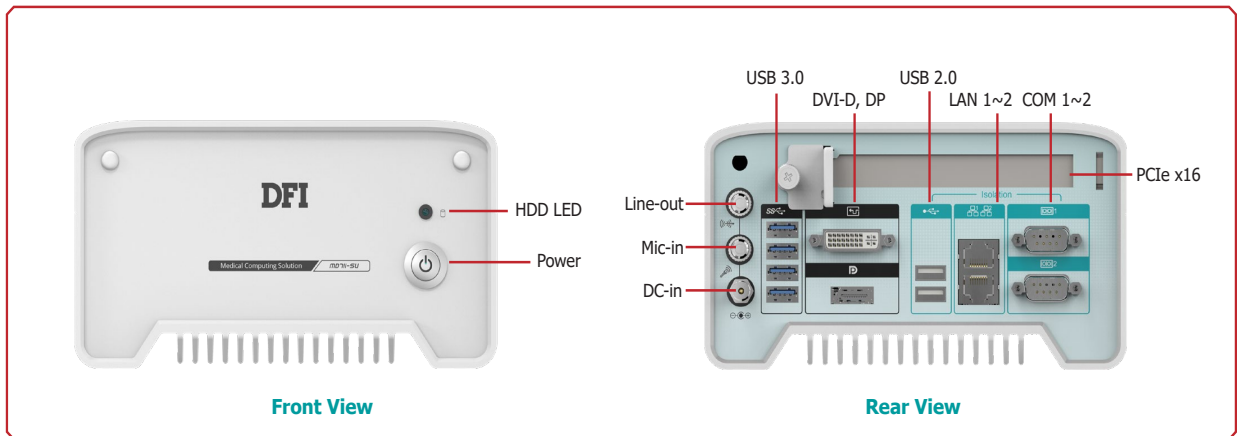


### ► Features

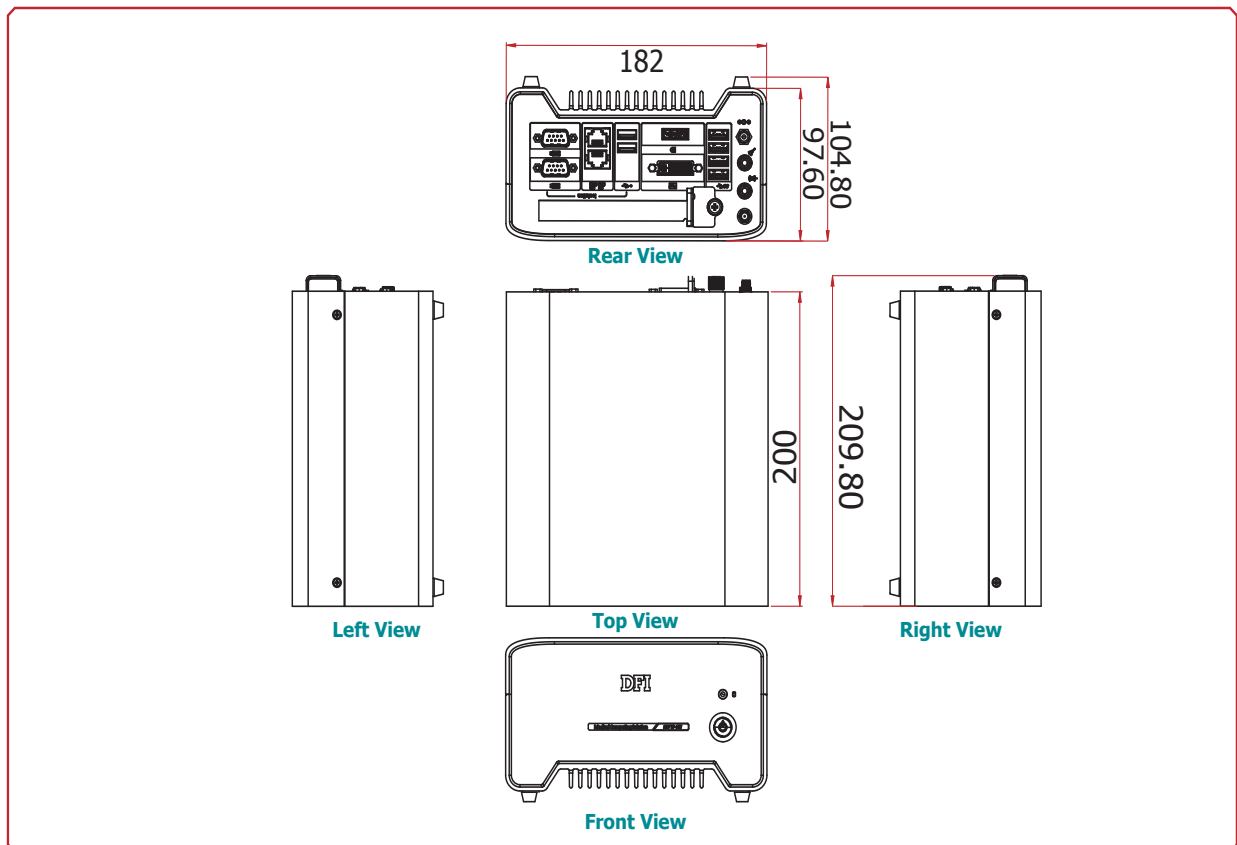
- Medical Computing System with easy clean design
- 2 DDR4 SODIMM up to 32GB
- 2 x 2.5" SATA 3.0 drive bay
- Supports 1 PCIe 16, 1 Mini PCIe, 1 M.2 slot
- 4KV Isolated I/O ports: 2 Intel GbE, 2 COM, 2 USB 2.0



### ► Panel



### ► Dimensions





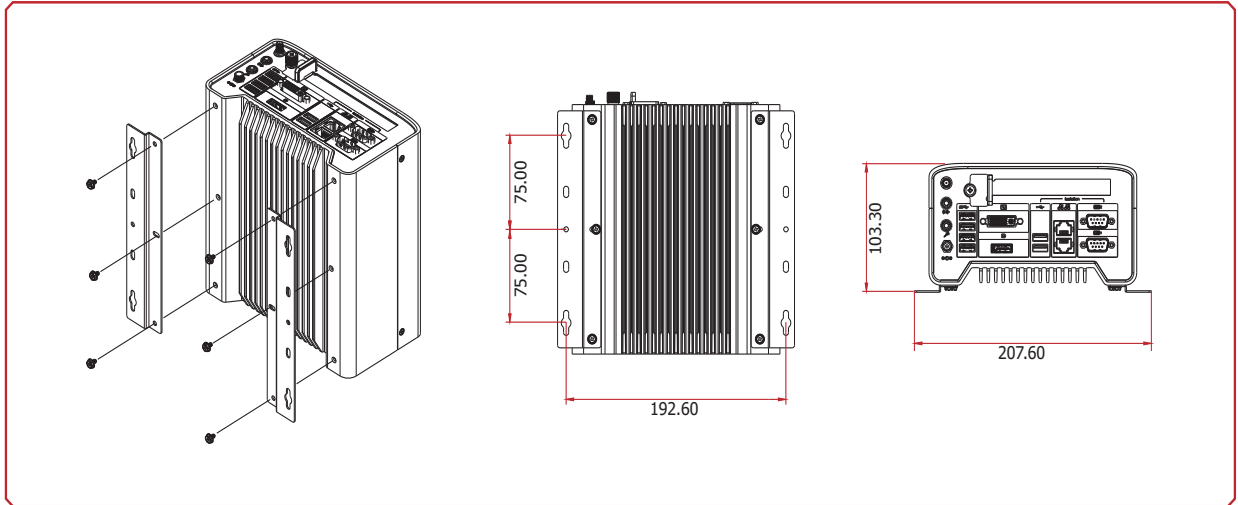
**Specifications**

<b>SYSTEM</b>	<b>Processor</b>	6th Generation Intel® Core™ Processors, BGA 1356 Intel® Core™ i7-6600U Processor, Dual Core, 4M Cache, 2.6GHz, 15W Intel® Core™ i5-6300U Processor, Dual Core, 3M Cache, 2.4GHz, 15W
	<b>Memory</b>	Two 260-pin SODIMM up to 32GB      Dual Channel DDR4 2133MHz
	<b>BIOS</b>	Insyde SPI 128Mbit
<b>GRAPHICS</b>	<b>Controller</b>	Intel® HD Graphics GT Series
	<b>Feature</b>	OpenGL 5.0, DirectX 12, OpenCL 2.1 HW Decode: AVC/H.264, MPEG2, VC1/WMV9, JPEG/MJPEG, HEVC/H265, VP8, VP9 HW Encode: AVC/H.264, MPEG2, JPEG, HEVC/H265, VP8, VP9
	<b>Display</b>	1 x DP/HDMI (HDMI available upon request)      DP: resolution up to 4096x2304 @ 60Hz 1 x DVI-D      HDMI: resolution up to 2560x1600 @ 60Hz or 4096x2160 @ 24Hz DVI-D: resolution up to 1920x1200 @ 60Hz
	<b>Dual Displays</b>	DVI-D + DP
<b>STORAGE</b>		2 x 2.5" SATA 3.0 Drive Bay
<b>EXPANSION</b>	<b>Interface</b>	1 x PCIe x16 (Gen 3) (x4 signal) 1 x Full-size Mini PCIe (PCIe/USB) 1 x M.2 (2242 B Key) (PCIe/USB/SATA)
<b>AUDIO</b>	<b>Audio Codec</b>	Realtek ALC888 5.1-channel
<b>ETHERNET</b>	<b>Controller</b>	1 x Intel® I210AT PCIe (10/100/1000Mbps) 1 x Intel® I219LM with iAMT11.0 PCIe (10/100/1000Mbps)
<b>LED</b>	<b>Indicators</b>	1 x Power LED 1 x HDD LED
<b>FRONT I/O</b>	<b>Buttons</b>	1 x Power Button
<b>REAR I/O</b>	<b>Ethernet</b>	2 x GbE (RJ-45) (supports 4kV isolation)
	<b>Serial</b>	2 x RS-232 (DB-9) (supports 4kV isolation)
	<b>USB</b>	4 x USB 3.0 (type A)      2 x USB 2.0 (type A, full speed) (supports 4kV isolation)
	<b>Display</b>	1 x DP/HDMI (HDMI available upon request) 1 x DVI-D
	<b>Audio</b>	1 x Line-out 1 x Mic-in
	<b>Wi-Fi Antenna</b>	1 x Wi-Fi Antenna Hole
<b>WATCHDOG TIMER</b>	<b>Output &amp; Interval</b>	System Reset, Programmable via Software from 1 to 255 Seconds
<b>POWER</b>	<b>Type</b>	Wide Range 9~36V
	<b>Connector</b>	DC Jack
<b>OS SUPPORT</b>		Windows 7 (32/64-bit)      WES 7 Windows 8.1 (64-bit)      WE8S Windows 10      Linux
<b>MECHANISM</b>	<b>Construction</b>	Aluminum + Metal Aluminum
	<b>Mounting</b>	Wall Mount
	<b>Dimensions (W x H x D)</b>	182mm x 97.6mm x 200mm (7.17" x 3.84" x 7.87")
	<b>Weight</b>	2.3 kg
<b>ENVIRONMENT</b>	<b>Operating Temperature</b>	0 to 40°C (w/0.7m air flow)
	<b>Storage Temperature</b>	-20 to 85°C
	<b>Relative Humidity</b>	5 to 90% RH (non-condensing)
<b>STANDARDS AND CERTIFICATIONS</b>	<b>Shock</b>	Operating: 3G, 11ms Non-Operating: 5G, 11ms
		<b>Vibration</b>
	<b>Certification</b>	CE, FCC, RoHS IEC 60601-1-2:2014 EN 60601-1-2:2015 ISO 14971:2007



**MD711-SU**

▶ **Wall Mounting**





► **Ordering Information**

Model Name	Part Number	Description
<b>MD711-SU2061</b>	750-MD7110-000G	Fanless, Intel Core i5-6300U, 1 DP, 1 DVI-D, 2 LAN, 2 COM, 6 USB, 1 PCIe x16, RoHS
<b>MD711-SU2061</b>	750-MD7110-100G	Fanless, Intel Core i7-6600U, 1 DP, 1 DVI-D, 2 LAN, 2 COM, 6 USB, 1 PCIe x16, RoHS
<b>MD711-SU2061</b>	750-MD7110-200G	Fanless, Intel Core i7-6600U, 1 HDMI, 1 DVI-D, 2 LAN, 2 COM, 6 USB, 1 PCIe x16, RoHS
<b>MD711-SU2061</b>	750-MD7110-300G	Fanless, Intel Core i7-6600U, 1 HDMI, 1 DVI-D, 2 LAN, 2 COM, 6 USB, 1 PCIe x16, RoHS

► **Optional Items**

Optional Items	Part Number	Description
<b>Memory</b>	785-RSOD416G	SODIMM, DDR4 Module, 16GB, RoHS
	785-RSOD48G	SODIMM, DDR4 Module, 8GB, RoHS
	785-RSOD44G	SODIMM, DDR4 Module, 4GB, RoHS
<b>Storage</b>	785-H251TBG	2.5" SATA HDD, 1TB, RoHS
	785-H25500G	2.5" SATA HDD, 500GB, RoHS
	785-S251TBG	2.5" SATA SSD, 1TB MLC, -40 to 85°C, RoHS
	785-S25512G	2.5" SATA SSD, 512GB MLC, -40 to 85°C, RoHS
	785-S25256G	2.5" SATA SSD, 256GB MLC, -40 to 85°C, RoHS
	785-S25128G	2.5" SATA SSD, 128GB MLC, -40 to 85°C, RoHS
	785-S25064G	2.5" SATA SSD, 64GB MLC, -40 to 85°C, RoHS
	785-S25032G	2.5" SATA SSD, 32GB MLC, -40 to 85°C, RoHS
<b>Wi-Fi</b>	785-WIFIKT	Wi-Fi Kit, RoHS
<b>Power Cord</b>	785-PWRD	Power Cord, Standards (USA/EUR/CH), 1.8m, RoHS
<b>Power Adapter</b>	671-106016-000G	60W, 24V/2.5A, Level 6, RoHS
<b>Wall Mount</b>	761-MD7110-000G	MD711-SU Wall Mount Kit, RoHS

► **Packing List**

• 1 MD711-SU system unit
• Mounting screws for SATA drive
• Mounting screws for Mini PCIe module
• 1 Quick Installation Guide
• 1 Power Adapter

## Assured Systems

Assured Systems is a leading technology company with over 1,500 regular clients in 80 countries, deploying over 85,000 systems to a diverse customer base in 12 years of business. We offer high-quality and innovative rugged computing, display, networking and data collection solutions to the embedded, industrial, and digital-out-of-home market sectors.

### US

[sales@assured-systems.com](mailto:sales@assured-systems.com)

Sales: +1 347 719 4508  
Support: +1 347 719 4508

1309 Coffeen Ave  
Ste 1200  
Sheridan  
WY 82801  
USA

### EMEA

[sales@assured-systems.com](mailto:sales@assured-systems.com)

Sales: +44 (0)1785 879 050  
Support: +44 (0)1785 879 050

Unit A5 Douglas Park  
Stone Business Park  
Stone  
ST15 0YJ  
United Kingdom

VAT Number: 120 9546 28  
Business Registration Number: 07699660