

Giada D610

Comet Lake High-end Digital Signage Player

Comet Lake 4K HDMI DP SIM Slot



RoHS CE FCC

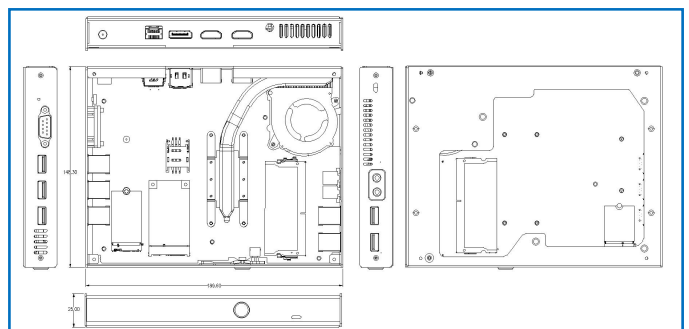
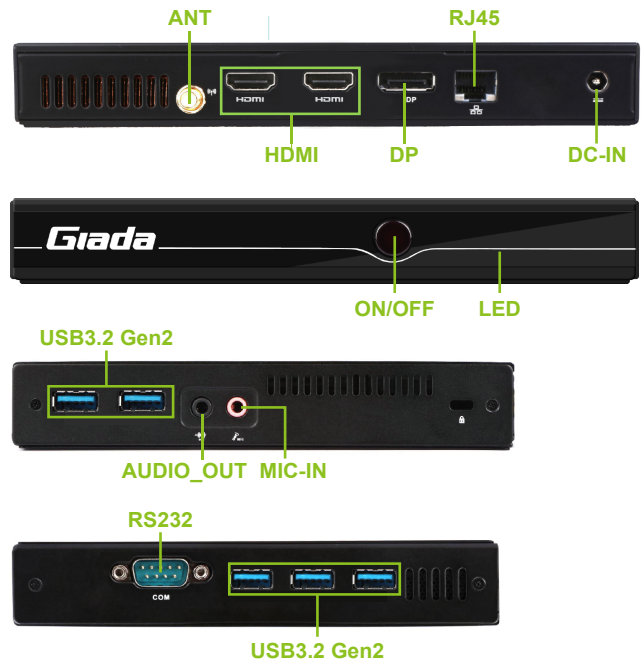
Specifications

Processor	CPU	Intel® Core™ i3-10110U / i5-10210U
	Chipset	SoC
	BIOS	AMI EFI 64 Mbit
Memory	Type	DDR4-2400MHz
	Socket	SO-DIMM
	Channel	2
	Max Size	32GB
Graphics	GPU	Intel® 10 th Gen UHD Graphics
	Graphic Engine	DirectX 12, OpenGL 4.5, OpenCL 2.1
	Interface	1 x DP (Max.4096 x 2304 @60Hz)
		1 x HDMI (Max.4096 x 2160 @30Hz)
Network	Controller	1 x RTL 8111H Gigabit Ethernet
	Interface	1 x RJ45
I/O	USB	5 x USB3.2 Gen2 (10 Gbps)
	Serial Port	1 x RS232
	Audio	1 x MIC-IN, 1 x ADUIO-OUT
	Wireless	1 x E-key M.2 (2230) for WiFi/BT
	MiniPCIe	1 x Full-size Mini-PCIe for mSATA/WiFi/3G/4G
	SIM Card	1 x SIM-Slot
	TPM	infineon TPM2.0
Storage	Socket 1	1 x M-key M.2 (2242/2280) for SSD
JAHC	WatchDog Timer	0~255 Second Time Out Support
	Auto Power On	Power Activated Automatically Start
	RTC	Set Up Independently Every day
	IR remote Control	Support
	Wake On LAN	Remote Wake-up
Operation System Supported	Windows	Windows 10 (64-bit)
	Linux	Support
Power	Power Type	DC-IN
	Power Adapter	12V/19V
Mechanical	Dimensions (W x D x H)	189.6mm x 148.3mm x 26mm (7.46" x 5.83" x 1.02")
	Construction	Metal
	Mounting	VESA Mounting JZ183
Environment	Operating Temperature	0°C~40°C (32F~104F) @0.7m/s Air Flow
	Relative Humidity	95% @ 40°C (non-condensing)
Certification		CE, FCC

Features

- Intel® Comet Lake Processors
- 1 x DP, 2 x HDMI, Supporting 4K Display
- 2 x SO-DIMM DDR4 Memory, Up to 32GB
- 1 x M-key M.2 (2242/2280) for SSD
- 1 x RJ45, 1 x Mini-PCIe for mSATA/WiFi/3G/4G, 1 x SIM Slot

Dimensions and Drawing



Ordering Information

	Description
D610-N1-10110UG4H0G-GIA	Intel Core i3-10110U
D610-N1-10210UG4H0G-GIA	Intel Core i5-10210U
Packing List	1 x WiFi Antenna, 1 x User manual, 1 x Drive Disk
Optional Item	VESA Mounting JZ183

Assured Systems

Assured Systems is a leading technology company with over 1,500 regular clients in 80 countries, deploying over 85,000 systems to a diverse customer base in 12 years of business. We offer high-quality and innovative rugged computing, display, networking and data collection solutions to the embedded, industrial, and digital-out-of-home market sectors.

US

sales@assured-systems.com

Sales: +1 347 719 4508
Support: +1 347 719 4508

1309 Coffeen Ave
Ste 1200
Sheridan
WY 82801
USA

EMEA

sales@assured-systems.com

Sales: +44 (0)1785 879 050
Support: +44 (0)1785 879 050

Unit A5 Douglas Park
Stone Business Park
Stone
ST15 0YJ
United Kingdom

VAT Number: 120 9546 28
Business Registration Number: 07699660