



Industrial Solutions Partner!

**SSD2945-E V2**

**29.3" Resizing LCD, 1000 nits LED backlight, 1920x710 ultra wide aspect ratio 16:6**

SSD2945-E V2 is an innovative ultra-wide, sunlight readable, LED backlight LCD display. It provides LCD panel with specific ratios for digital signage, public transportation, exhibition hall, department store, vending machine and industrial applications. Incorporating with A.D. control board and backlight design, it is high brightness and sunlight readable panel, can display high-quality video with energy-efficient.

**Key Features**

- Resizing LCD
- Ultra Wide Screen (16 : 6)
- LED Backlight
- High Brightness 1,000 nits
- Low Power Consumption
- Wide Dimming
- Life Expectancy (70,000hrs)



**Specifications**

V1

<b>Model No.</b>	<b>SSD2945-E V2</b>
<b>Description</b>	29.3" Resizing LCD, 1000 nits LED backlight
<b>Display Area</b>	698.4*258.2 mm
<b>Brightness</b>	1000 cd/m <sup>2</sup>
<b>Resolution</b>	1920 x 710
<b>Aspect Ratio</b>	16 : 6
<b>Contrast Ratio</b>	3000:1
<b>Pixel Pitch (mm)</b>	0.3637 x 0.3637
<b>Pixel Pre Inch (PPI)</b>	69.7
<b>Viewing Angle</b>	178°(H), 178°(V)
<b>Display Colors</b>	16.7M
<b>Response Time (Typical)</b>	8 ms
<b>Sync</b>	LVDS
<b>Power Consumption</b>	53 W
<b>Dimensions (mm)</b>	740.6 x 306.7 x 63.7
<b>Weight (Net)</b>	8.6 kg
<b>LED Driving Board</b>	<b>LID29A</b>
<b>Control Board (Optional)</b>	<b>AD2662GD / AD2662GDVAR / AD2662GDHMVAR</b>
<input type="checkbox"/> AD2662GD	VGA + DVI
<input type="checkbox"/> AD2662GDVAR	VGA + DVI (Optional AV/ S-Video / Component / Audio)
<input type="checkbox"/> AD2662GDHMVAR	VGA + DVI + HDMI (Optional AV/ S-Video / Component / Audio)
<input type="checkbox"/> Others	
<b>F / R Control Button</b>	5 Key / 4 Key
<input type="checkbox"/> 4 Key	Power Switch, Menu, Select (+,-),
<input type="checkbox"/> 5 Key	Power Switch, Menu, Select (+,-),Auto
<b>OSD Menu</b>	Brightness, Contrast, H/V Position, Color, Phase, Clock...
<b>Optional</b>	<input type="checkbox"/> Touch Screen

Specifications are subject to change without notice.  
All brands or product names are trademarks or registered trademarks of their respective companies.

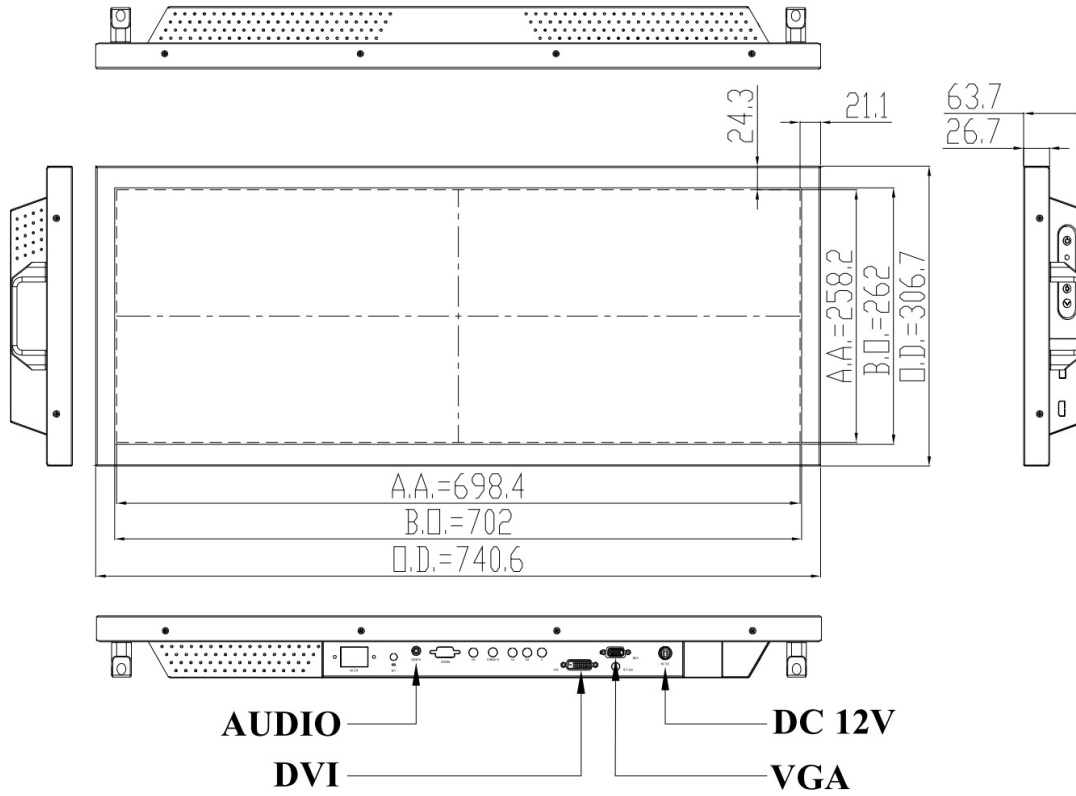
**SSD= Panel+ LED Driving Board + Control Board**



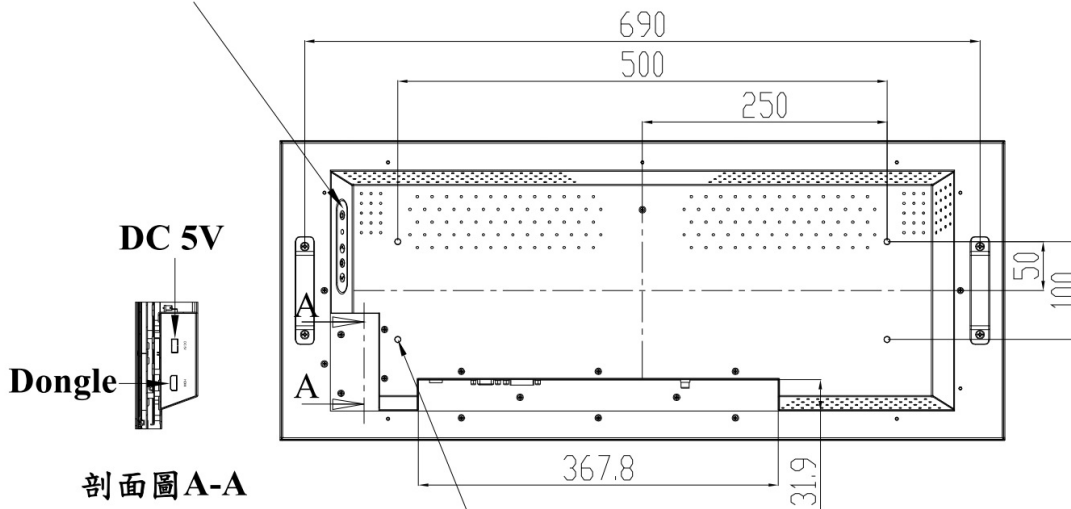
Industrial Solutions Partner!

**Mechanical Drawing**

**Outline Dimensions**



**MEMBRANE 4-KEY**



**4-M6 SCREW**  
**Max Depth = 10 mm**



Industrial Solutions Partner!

### Ordering Information

Model Name	Description
SSD2945-ENB-G11	29.3",1000nits,1920*710,LID29A.AD2662GDHM,USB+HDMI board,O/B,DC 12V ,V02

### Optional Accessories

Part Number	Description
840612051210 (Optional)	ADAPTER,AC/DC,12V/5.4A,65W,Atech OEM A065112-TDx.4P SLIDING CAP,P
810618301010 (Optional)	CABLE.POWER.AC.1830mm.(US Type).3PIN PLUG TO SOCKET.SVT(SPT-2 )18AWG 3C BLACK,P.
810618301090 (Optional)	CABLE,POWER,AC,1830mm.(EU Type) 3PIN PLUG TO.SOCKET,H05VV-F 3G.0.75MMSQ BLACK,P
810618301050 (Optional)	CABLE,POWER,AC,1830mm.UK(FUSE) 3PIN PLUG TO.SOCKET,H05VV-F 3C(3G) 0.75MMSQ BLACK,P
810618301170 (Optional)	CABLE.POWER,AC,1830mm. (AU Type) 3PIN PLUG TO 2P SOCKET.LTSA 0.75MMSQ BLACK,P
810618301031 (Optional)	CABLE.POWER.AC.1830mm.(JP Type).2PIN PLUG Y TERMINAL TO. SOCKET.VCTF 3C 0.75MMSQ BLACK,P

## Assured Systems

Assured Systems is a leading technology company with over 1,500 regular clients in 80 countries, deploying over 85,000 systems to a diverse customer base in 12 years of business. We offer high-quality and innovative rugged computing, display, networking and data collection solutions to the embedded, industrial, and digital-out-of-home market sectors.

### US

[sales@assured-systems.com](mailto:sales@assured-systems.com)

Sales: +1 347 719 4508  
Support: +1 347 719 4508

1309 Coffeen Ave  
Ste 1200  
Sheridan  
WY 82801  
USA

### EMEA

[sales@assured-systems.com](mailto:sales@assured-systems.com)

Sales: +44 (0)1785 879 050  
Support: +44 (0)1785 879 050

Unit A5 Douglas Park  
Stone Business Park  
Stone  
ST15 0YJ  
United Kingdom

VAT Number: 120 9546 28  
Business Registration Number: 07699660